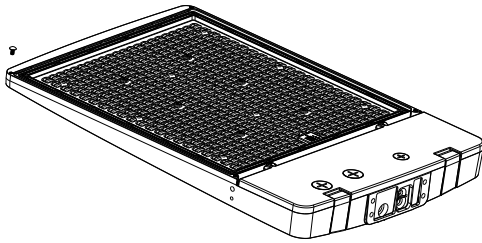


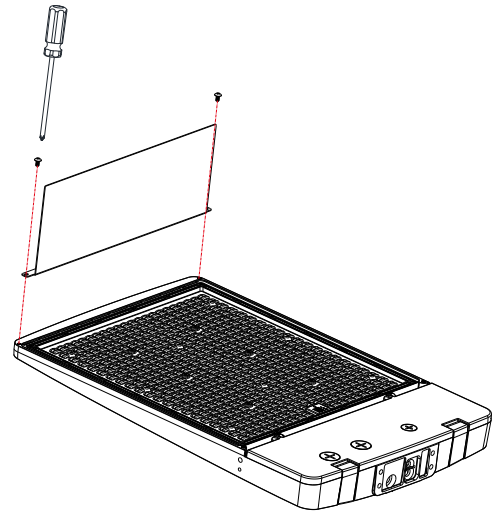
INSTALLATION INSTRUCTIONS

Installation of Shield for front Position:

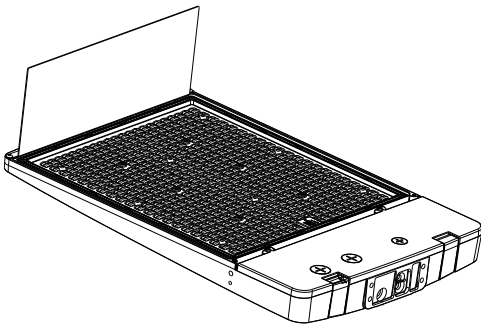
1. Remove the hole plugs as (Figure 1).
2. Align the shield with the fixing holes and fix it with screws as (Figure 2).
3. Finished as (Figure 3).



(Figure 1)



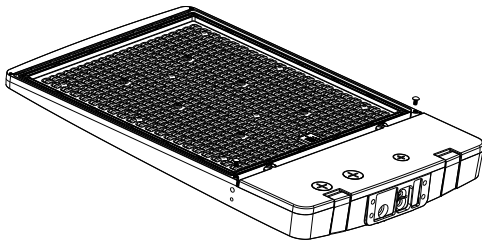
(Figure 2)



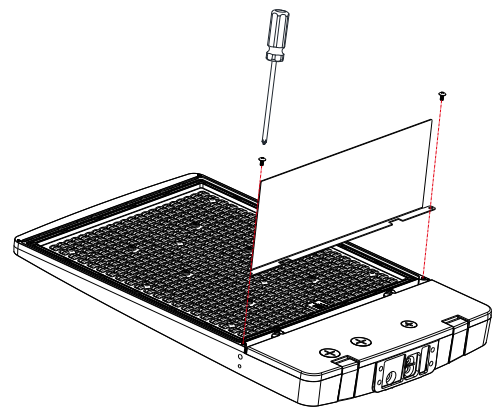
(Figure 3)

Installation of Shield for Back Position:

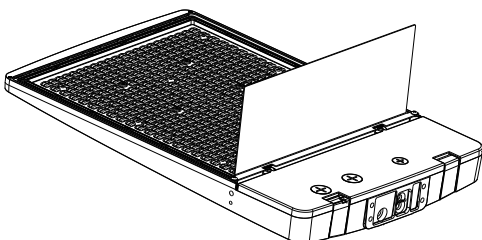
1. Remove the hole plugs as (Figure 4).
2. Align the shield with the fixing holes and fix it with screws as (Figure 5).
3. Finished as (Figure 6).



(Figure 4)



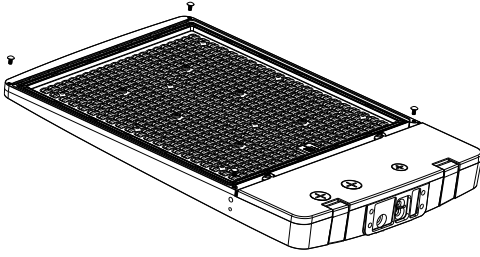
(Figure 5)



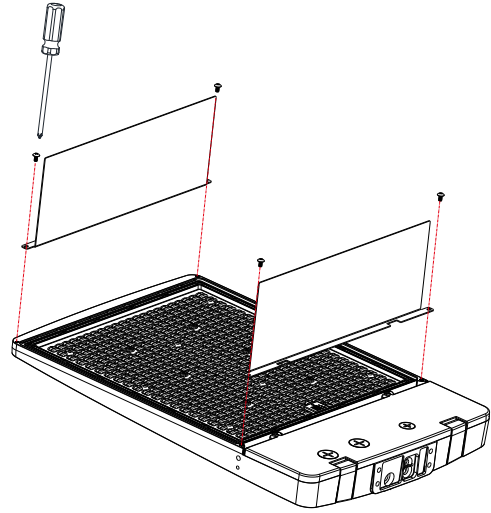
(Figure 6)

Installation of Shield for Front&Back Positions:

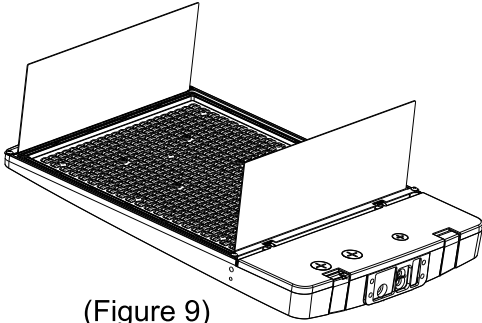
1. Remove the hole plugs as (Figure 7).
2. Align the shields with the fixing holes and fix them with screws as (Figure 8).
3. Finished as (Figure 9).



(Figure 7)



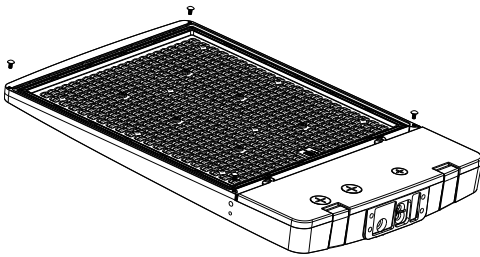
(Figure 8)



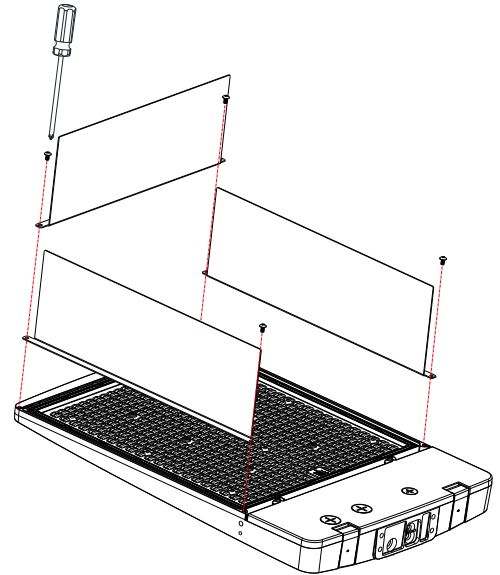
(Figure 9)

Installation of Shield for Front&Sides Positions:

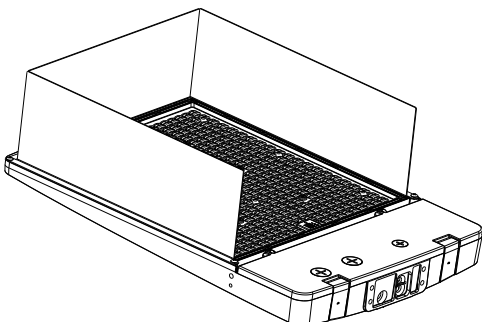
1. Remove the hole plugs as (Figure 10).
2. Align the shields with the fixing holes and fix them with screws as (Figure 11).
3. Finished as (Figure 12).



(Figure 10)



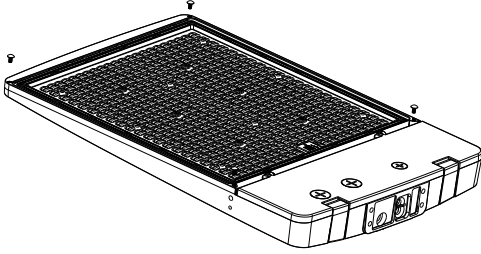
(Figure 11)



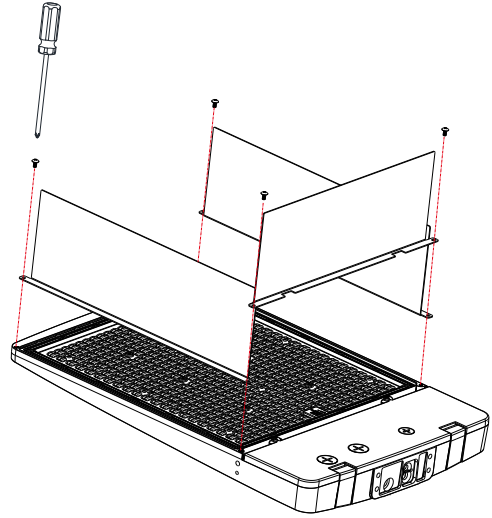
(Figure 12)

Installation of Shield for Back&Sides Positions:

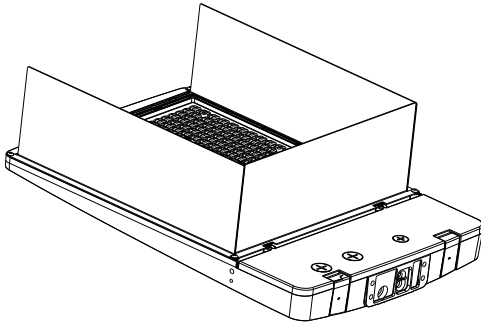
1. Remove the hole plugs as (Figure 13).
2. Align the shields with the fixing holes and fix them with screws as (Figure 14).
3. Finished as (Figure 15).



(Figure 13)



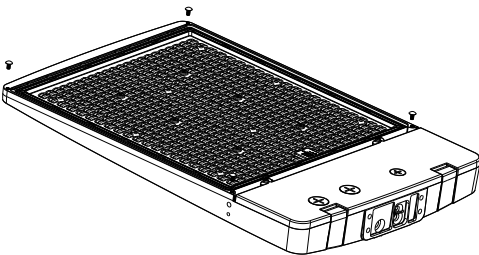
(Figure 14)



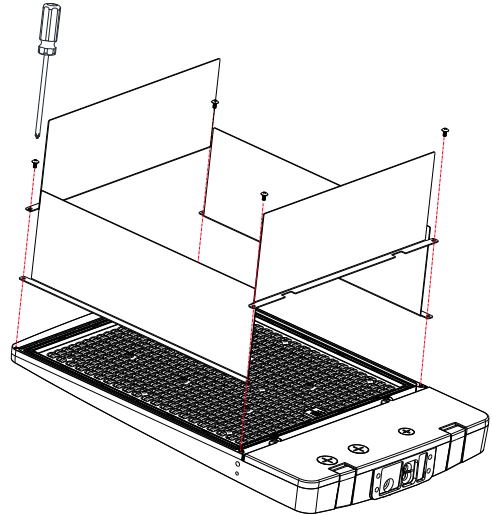
(Figure 15)

Installation of Shield for All Positions:

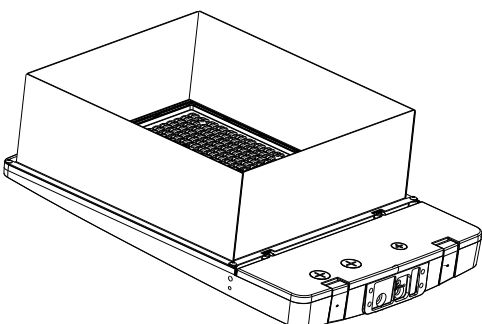
1. Remove the hole plugs as (Figure 16).
2. Align the shields with the fixing holes and fix them with screws as (Figure 17).
3. Finished as (Figure 18).



(Figure 13)



(Figure 14)



(Figure 15)