

# Gooseneck Area Light: Bolt-Line Installation Instructions



**WARNING**

PLEASE READ ALL INSTRUCTIONS BEFORE ATTEMPTING INSTALLATION

- To prevent personal injury or product damage only licensed electricians should install.
- To avoid electric shock or component damage disconnect power before attempting installation or servicing.
- Disconnect product and allow cooling prior to servicing.
- Any alteration or modification of this product is forbidden as it may cause personal injury, death, property damage and/or product malfunction.
- To prevent product malfunction and/or electrical shock this product must be properly grounded.
- This luminaire is designed to operate in ambient temperatures ranging from -40° F to 113° F.
- MIN 167 F SUPPLY CONDUCTORS.
- CONSULT A QUALIFIED ELECTRICIAN TO ENSURE CORRECT BRANCH CIRCUIT CONDUCTOR.
- Do not switch under load.
- Caulk to mounting surface at all sides.

## INSTALLATION

1. Align the screws and nuts with the holes on the Mounting Plate, tighten the screws and control the protruding length. (Fig 1)

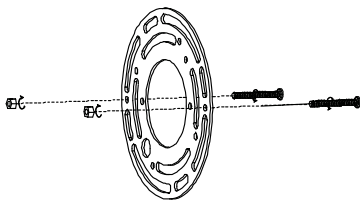


Fig 1

2. Align the Mounting Plate to the hole of the junction box and tighten it with screws. (Fig 2)

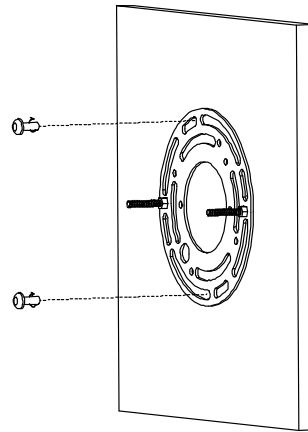


Fig 2

3. Connect the corresponding terminals according to the wiring diagram, connect L, N, and ground wires correctly. (Fig 3)

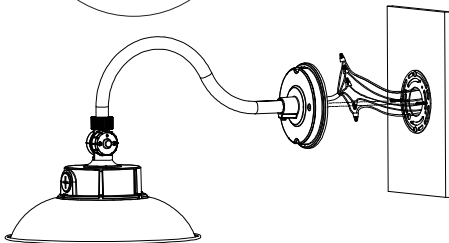
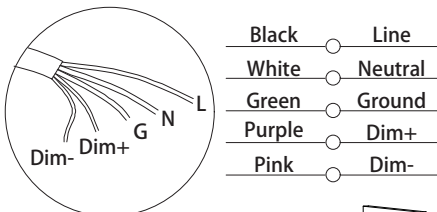


Fig 3

4. Hide the connected wires in the junction box, align the lamp body with the screws, and tighten the nuts. (Fig 4)

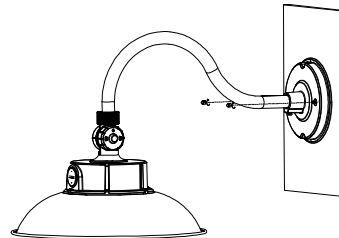


Fig 4

# INSTALLATION

1. Align the screws and nuts with the holes on the Mounting Plate, tighten the screws and control the protruding length. (Fig 5)

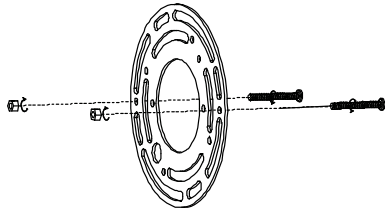


Fig 5

2. Align the Mounting Plate to the hole of the junction box and tighten it with screws. (Fig 6)

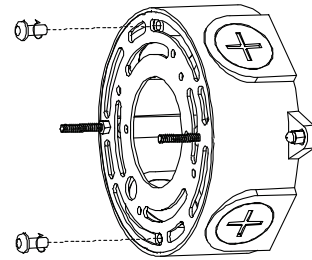


Fig 6

3. Connect the corresponding terminals according to the wiring diagram, connect L, N, and ground wires correctly. (Fig 7)

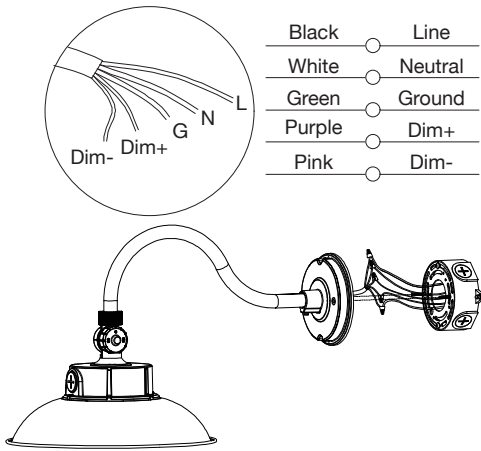


Fig 7

4. Hide the connected wires in the junction box, align the lamp body with the screws, and tighten the nuts. (Fig 8)

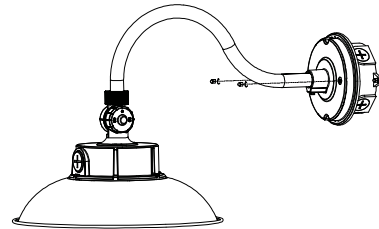
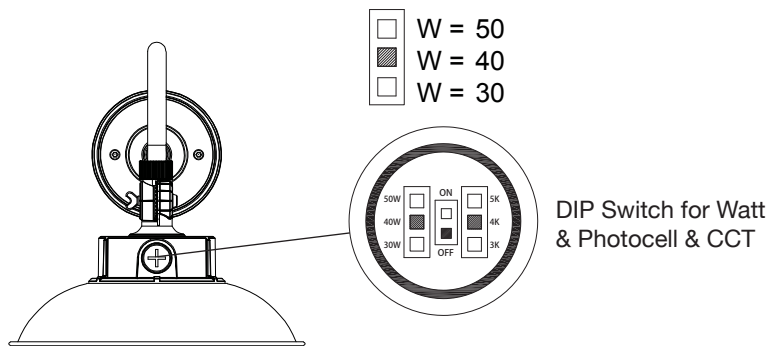


Fig 8

# WATTAGE & CCT SELECTABLE GUIDANCE

Factory Default Setting:  
 Watt: 50W  
 CCT: 5000K  
 Photocell: ON



Do not switch under load.