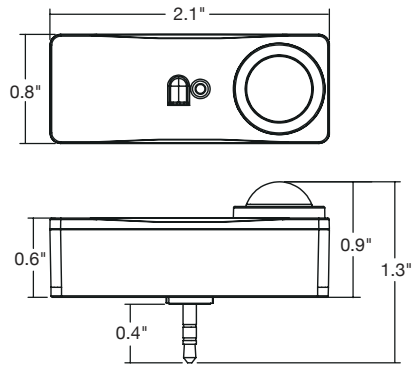


# Audio Jack Sensor PIR Sensor Bi-Level Motion + Daylight Sensor



S-AUD-PIR-1 allows for individual luminaire control and is equipped with both occupancy + daylight sensing. It utilizes a remote S-LINE-R for commissioning. .

**Detail Specifications:**

- Input Voltage: 10-14V DC | 50mA
- Operating Temperature: -4-104F°
- Finish: White
- 360° detection
- IP Rating: IP20 Damp Location

**Applications:**

- Commercial & Industrial
- LED Lighting Fixtures

**Product Information:**

- PIR motion sensor: Ideal for indoor environments with clear lines of sight to the area of interest. Detects warm objects, good for high vibration, areas of metal.
- Daylight Sensor: controls power consumption of the fixtures based on sunlight levels
- Control and commissioning must be done via remote: S-LINE-R - Remote can control an unlimited quantity of fixtures

**Mounting & Installation:**

- 2.5MM Audio Jack: push & twist lock on design for sensor ready fixtures or with use of 2.5mm audio jack receptacles
- Max Mounting Height: 12ft

**Certifications:**

- UL Listed for USA and CA
- Approved for CA T24
- 5 Year Limited Warranty
- FCC CFR 47, GCC Part 15, Subpart B:2017

**Default Setting:**

- BRIGHTNESS: 100%
- HOLD TIME: 10 Min.
- BI-LEVEL DIM: 50%
- STAND BY TIME: 10 Min.
- SENSITIVITY: 100%
- DAYLIGHT: Disabled

**SETTING & CONTROL OPTION**

<b>BRIGHTNESS</b>	70%/80%/90%/100%
<b>SENSITIVITY</b>	20%/50%/75%/100%
<b>HOLD TIME</b>	10 Sec./1 Min./5 Min./10 Min./15 Min./20 Min./30 Min./60 Min.
<b>DAYLIGHT SENSOR</b>	10 Lux./30 Lux./50 Lux./100 Lux./300 Lux./500 Lux.
<b>STAND BY DIM %</b>	0%/ 10%/ 30%/ 50%
<b>STAND BY TIME</b>	Always On / 1 Min./ 30 Min./ 60 min.



**S-LINE-R**

*Item*  
**S-AUD-PIR-1**

*Remote Required*  
**S-LINE-R**