

4" 12V Round Retrofit Downlight

5-CCT Selectable



Project: _____ Part #: _____
Type: _____

Canless Downlights



Detail Specifications:

- Finish: White Smooth Standard
- Wet Location Rated
- Wattage: 10W
- Lumens: 600
- 5-CCT Selectable: 27/30/35/40/50K
- Beam Angle: 100°
- Chip: SMD 2835, R9 >50, CRI >90
- Operating Temperature: -40° - 114° F
- Lens: Frosted acrylic, non-yellowing
- Average life (L70) of 50,000 hours

Applications:

- General Recessed Lighting
- Residential & Multifamily
- Office and Meeting Rooms
- Education, Healthcare, Retail, Hospitality

Product Information:

- Fixture includes 2-pin GU5.3 MR-16 Socket
- Ideal for retrofitting low voltage housings
- Di-cast aluminum housing and trim for better heat dissipation
- Select-n-Switch Technology: 5-CCT + 3-Power Selectable

Driver Options:

- 12V Triac Dimmable down to 5%
 - Ensure magnetic or electronic transformer is dimmable
- Built in 2.5Kv Surge Protector
- Flicker Free

Mounting & Installation:

- 4": Tension clip springs fit into most 4" compatible recessed cans
- Retrofit into existing housing with MR-16 bulb
- Can be removed from below the ceiling for service or replacement

Certifications:

- ETL Listed for USA and CA
- FCC CFR 47, GCC Part 15, Subpart B:2017
- IC Rated and ASTM-E283 Air-Tight
- 5 Year Limited Warranty

Series

LED-EDL-4-10W-5CCT-WH-12V

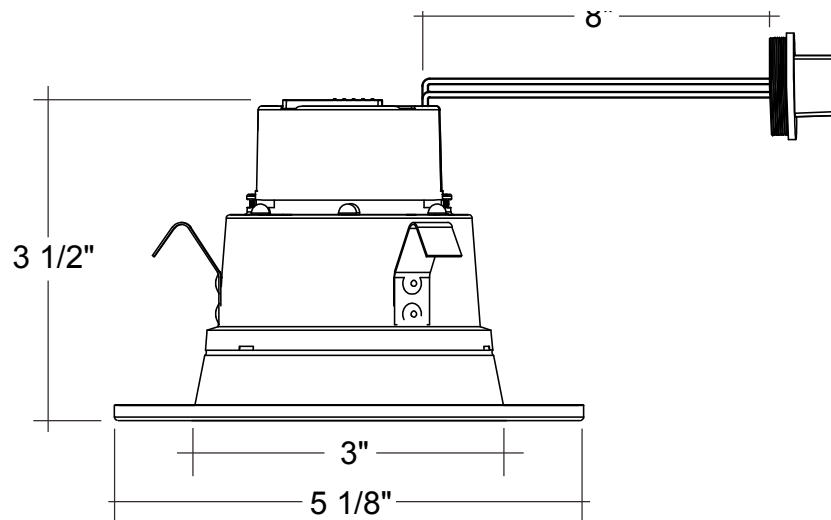
10W | 600Lm

Specs and model numbers are subject to change with or without notice.

FEATURES



DIMENSIONS



Specs and model numbers are subject to change with or without notice.

TESTED COMPATIBLE DIMMERS

Other dimmers may be compatible but have not been tested.
Please contact us for more information.

TRIAC/ELV Dimmers

Lutron	Leviton
TG-600PR-WH	6672
S-600PR-WH	6674
CTCL-153PDH-WH	DSL06
SLV-600P-AL	PD-6WCL
DV-600PR-WH	MACL-153M//MA-R
SCL-153PH-WH	
GT-600P	
DVCL-153P	
RNL06	
MSCL-OP153M	
IPL06	

Specs and model numbers are subject to change with or without notice.