

# T9 Circline LED Bulb

## Type A+B

Project: \_\_\_\_\_ Part #: \_\_\_\_\_  
Type: \_\_\_\_\_

Tubes



### Detail Specifications:

- IP Rating: Damp Location
- Beam Angle: 300°
- 4-CCT: 30/35/40/50K Selectable
- Chip: SMD 2835, R9 >50, CRI >80
- Operating Temperature: -40° - 130° F
- Lens: Frosted lens with film protectant for extra shatter protection (food industry OK)
- Average life (L70) of 70,000 hours

### Applications:

- General indoor Lighting
- Fluorescent Retrofitting
- Walkways & Pathways
- Commercial and Industrial

### Product Information:

- Standard size of fluorescent versions
- Suitable for use in existing fixtures
- Approved for use in enclosed fixtures
- Instant-On to full brightness
- Available in 8" & 12" Models

### Driver Options:

- UNV: 120-277V Non-Dimmable
- Built in 2.5Kv Surge Protector
- THD: <20% (+/-5% tolerance), PF >0.9, 50/60Hz

### Mounting & Installation:

- Rewire
- Use with existing ballast (see ballast compatibility chart)

### Certifications:

- ETL Listed for USA and CA
- 5 Year Limited Warranty
- FCC CFR 47, GCC Part 15, Subpart B:2017



#### Series

**LED-T9-DF-8I-11W-4CCT**

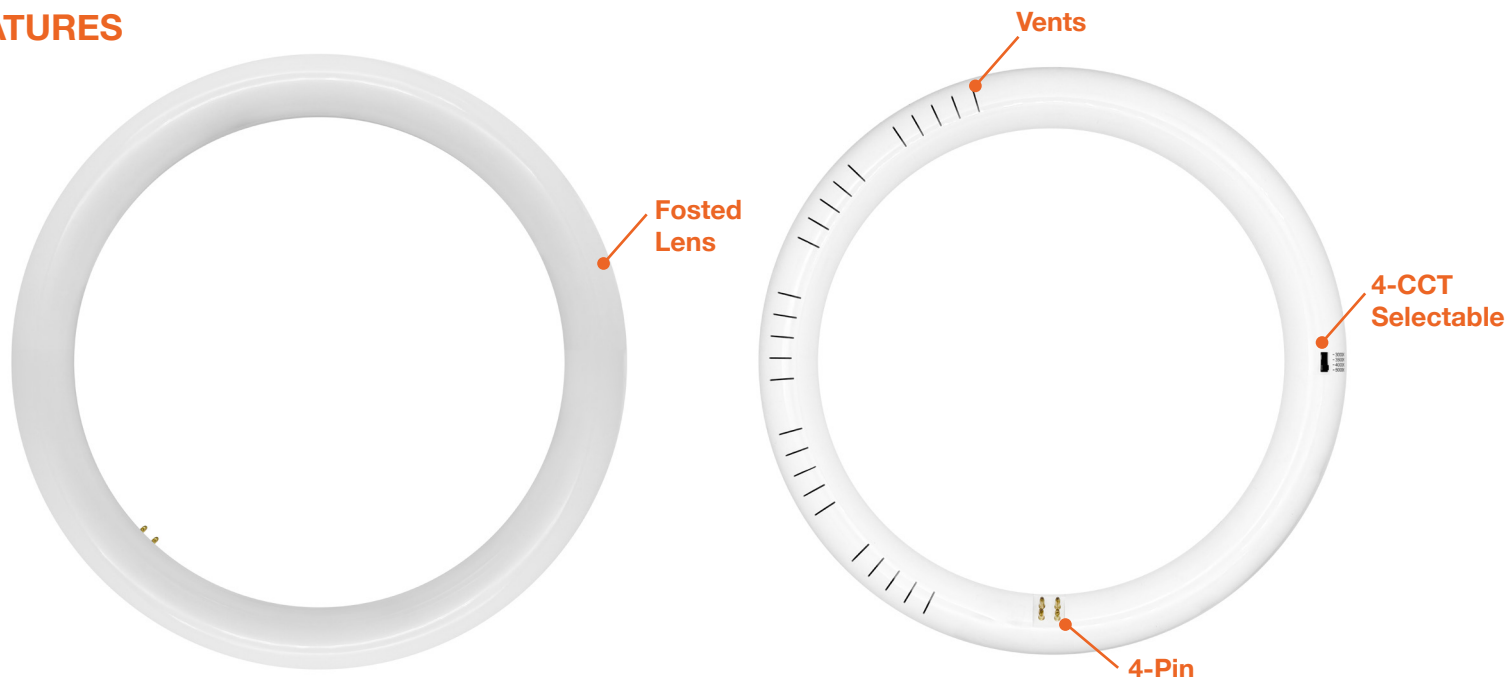
11W • 1,200lm

**LED-T9-DF-12I-16W-4CCT**

12W • 1,700lm

*Specs and model numbers are subject to change with or without notice. Customization of product is available.*

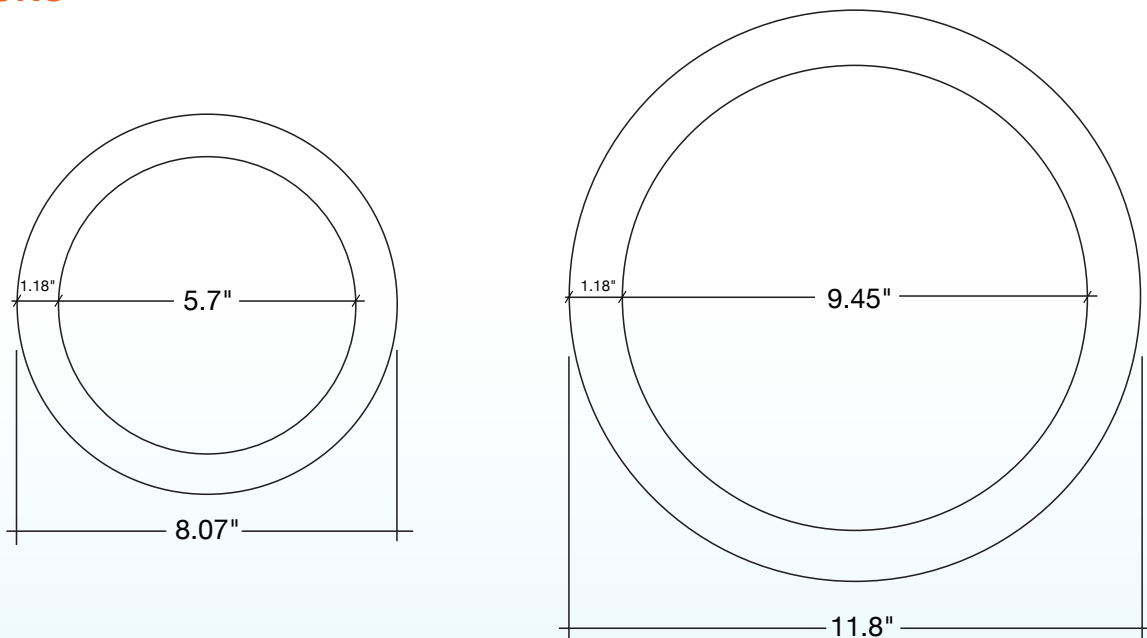
**FEATURES**



Electronic Ballast Compatibility List LED-T9-DF-8I-11W-4CCT	
BRAND	MODEL
ADVANCE	ACT2S40RS120NL
RADIANT	RCB 64
ESPEN	VEC72120MR-1
KEYSTONE	KTEB-2C72-1-TP-WS
SUNPARK	SL15T
ROBERTSON	RSW3240C120WS 3P20134
RADIANT	RCB 54
HT PROLUME	E2CR72RS/120/PT

Electronic Ballast Compatibility List LED-T9-DF-12I-16W-4CCT	
BRAND	MODEL
ADVANCE	RLQS-122-TP-W
KEYSTONE	KTEB-1C22-1-TP-WS
SYLVANIA	QT 1X22/120/CIRC
KEYSTONE	S22WSTP
HT PROLUME	E2CR72RS/120/PT
RADIANT	RCB 54
RADIANT	RCB 64
SUNPARK	SL15T
ROBERTSON	RSW3240C120WS 3P20134
ARCATA	ACT2S40RS120NL

**DIMENSIONS**



*Specs and model numbers are subject to change with or without notice. Customization of product is available.*