

Round Bulk Head-Guarded Installation Instructions

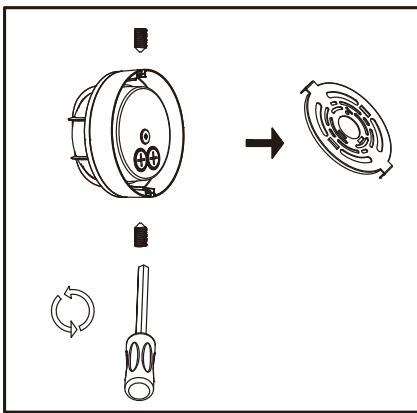
⚠ PLEASE READ ALL INSTRUCTIONS BEFORE ATTEMPTING INSTALLATION

SAFETY: this fixture must be wired in accordance with the national electrical code and applicable local codes and ordinances. Proper grounding is required to insure personal safety. Carefully observe the grounding procedure under installation section. All work should be done by a qualified electrician.

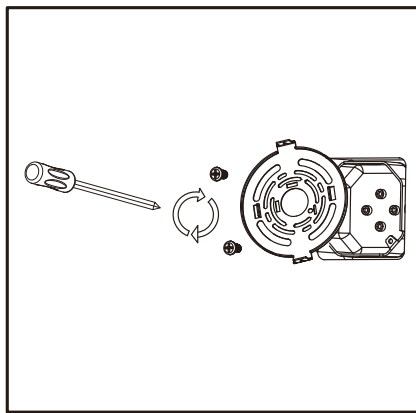
- **RISK OF ELECTRIC SHOCK** - Disconnect power at fuse or circuit breaker before installing or servicing.
- **RISK OF PERSONAL INJURY** - Fixture may become damaged and/or unstable if not installed properly. Tighten all fixture components to their recommended torque values.

WARNING: Make sure power is OFF before starting installation or attempting any maintenance.

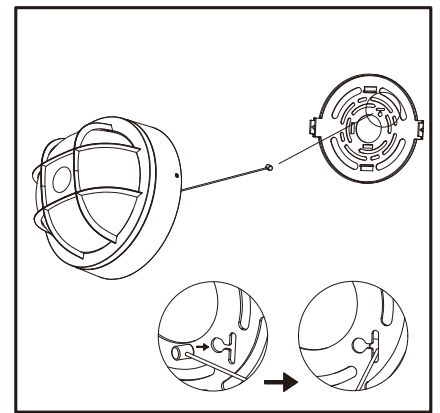
INSTALLATION



1. Use the hex tool to remove the screws and remove the mounting plate.

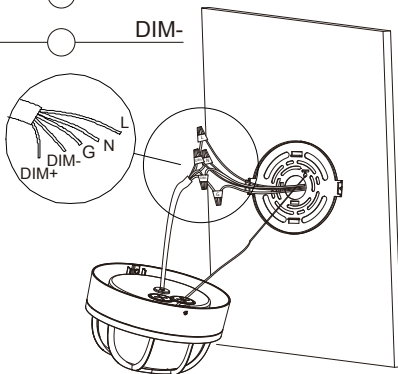


2. Use a Phillips screwdriver tool with a torque of 1 Nm to secure the mounting plate with two screws, which fit to the mounting plate and junction box.

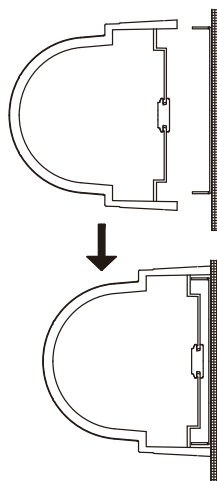


3. One end of the safety cable is fixed to the mounting plate.

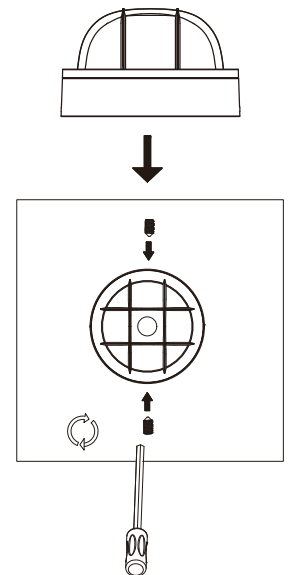
Black	○	Line
White	○	Neutral
Green	○	Ground
Purple	○	DIM+
Pink	○	DIM-



4. Connect the light input wire



5. Fix the light to the mounting plate



6. Use the hex tool with a torque of 6Nm to lock two M6 set screws

WATTAGE & CCT SELECTABLE GUIDANCE

Factory Default Setting:

Watt: 15W

CCT: 5000K

Photocell: ON

