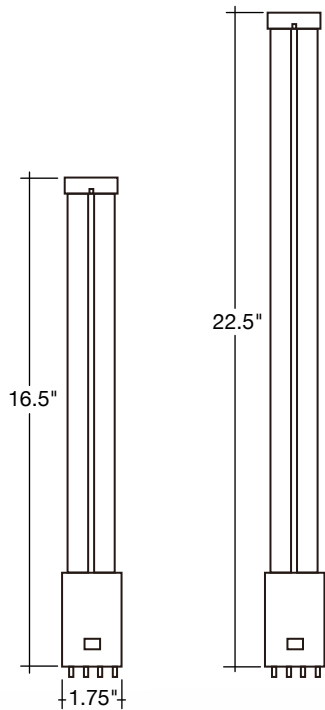




**PL LAMP: 2G11**  
Fluorescent Replacement  
5-CCT



**Detail Specifications**

- IP Rating: Damp Location
- Beam Angle: 360°
- 5-CCT: 27/30/35/40/50k
- Chip: SMD 2835, R9 >50, CRI >80
- Operating Temperature: -4° - 114° F
- Average life (L70) of 50,000 hours

**Applications:**

- Can Lights
- Recessed Housings
- Interior Lighting
- Downlighting
- Residential, Commercial and Industrial

**Product Information:**

- Bypass ballast on existing fixtures
- Instant-On to full brightness

**Driver Options:**

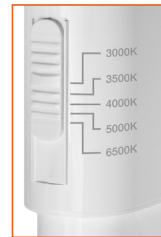
- 120-277V
- Non-Dimmable
- PF >0.9, 50/60Hz

**Mounting & Installation:**

- 4-Pin 2G11
- Direct PL Lamp Replacement

**Certifications:**

- ETL Listed for USA and CA
- 5 Year Limited Warranty
- FCC CFR 47, GCC Part 15, Subpart B:2017



5-CCT Selectable



4-Pin 2G11 Base

**Compatible Ballast List**

<b>TRIAD</b>
C2642UNVME
C2642/347ME
<b>OSRAM SYLVANIA</b>
QTP 2x26CF/UNV DM
QTP 2x26/32/42CF/UNV DM PEM
QTP 2x26/32/42CF/UNV DM
QTP 2x26CF/UNV DM
<b>FULHAM</b>
RHA-UNV-226-C
<b>GE PROLINE</b>
GEC226-MVPS-3W-L
<b>HOWARD</b>
EP2/26CF/MV/2
<b>TOPAZ</b>
B2642UNV/ME-TPZ
<b>PROLUME</b>
EP2CF26PS/MV/DC/K
<b>KEYSTONE</b>
KTEB-226-1-TP
KTEB-226-UV-RS-DW

**Series**

**LED-PL-2G11-16-16W-5CCT**  
16W • 2,000lm

**LED-PL-2G11-22-20W-5CCT**  
20W • 3,000lm

Specs and model numbers are subject to change with or without notice.