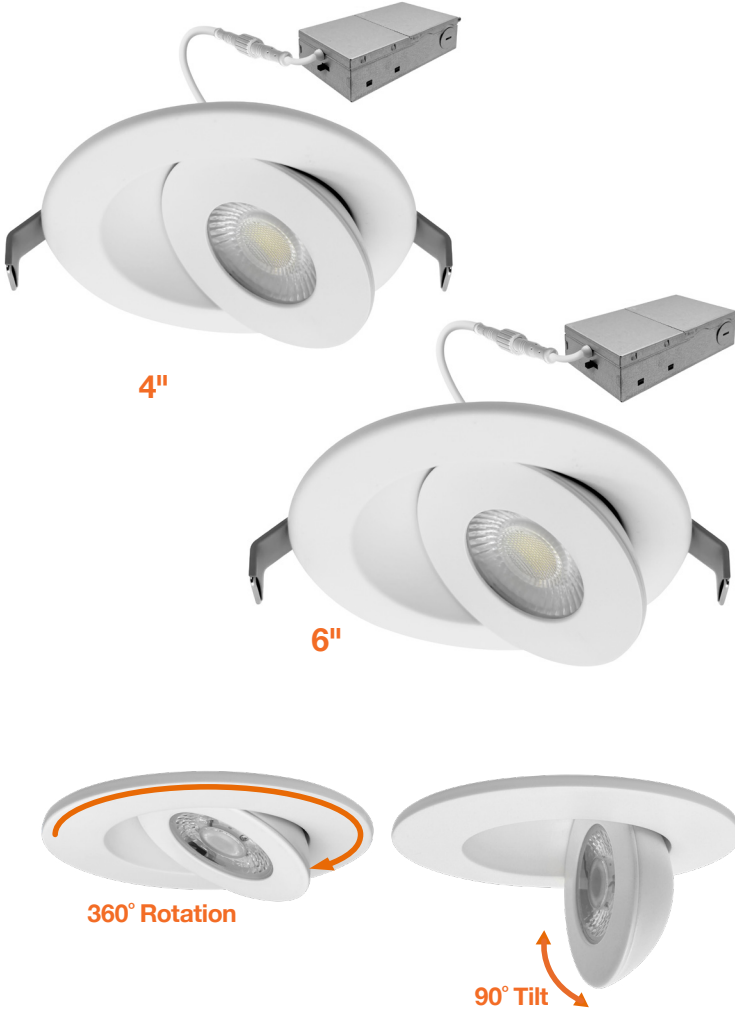


# SnapTrim-Line: 4" & 6" Floating Gimbal Canless Series

Canless



### Detail Specification:

- IP54 Wet Location Rated
- Beam Angle: 38° standard, other options available
- Chip: COB Chip, R9 >50, CRI >90
- 3 Step MacAdam Ellipses
- Operating Temperature: -40° - 114° F
- Lens: Clear COB
- Average life (L70) of 50,000 hours

### Applications:

- General Recessed Lighting
- Residential & Multifamily
- Office and Meeting Rooms
- Education, Healthcare, Retail, Hospitality

### Product Information:

- 5-CCT Selectable: 27/30/35/40/50K
- Standard round trim included
- Metal housing and trim for better heat dissipation
- Optional emergency backup available: delivers full lumens in EM mode
- SnapTrim Canless: Spring clips with remote j-box eliminates can

### Driver Options:

- Driver Options:
  - 120V Triac Dimmable
  - 120-277V 0-10V Dimmable
- Built in 2.5Kv Surge Protector
- Flicker Free

### Mounting & Installation:

- Cut Out Dimension:
  - 4": 4 1/4"
  - 6": 5"
- Optional new construction plate available
- This fixture does not fit into a recessed can
- No housing needed in remodel applications, tension clips mount into 1/2" to 1.5" thick ceiling
- Can be removed from below the ceiling for service or replacement
- Pre-wired junction box with circuit wiring built in (3 in/ 3 out)

### Certifications:

- ETL Listed for USA and CA
- CA Title 24 JA8-2022 CEC Listed
- 5 Year Limited Warranty
- FCC CFR 47, GCC Part 15, Subpart B:2017
- IC Rated and ASTM-E283 Air-Tight
- Complies with UL 263, ASTM E119, CAN ULC S101

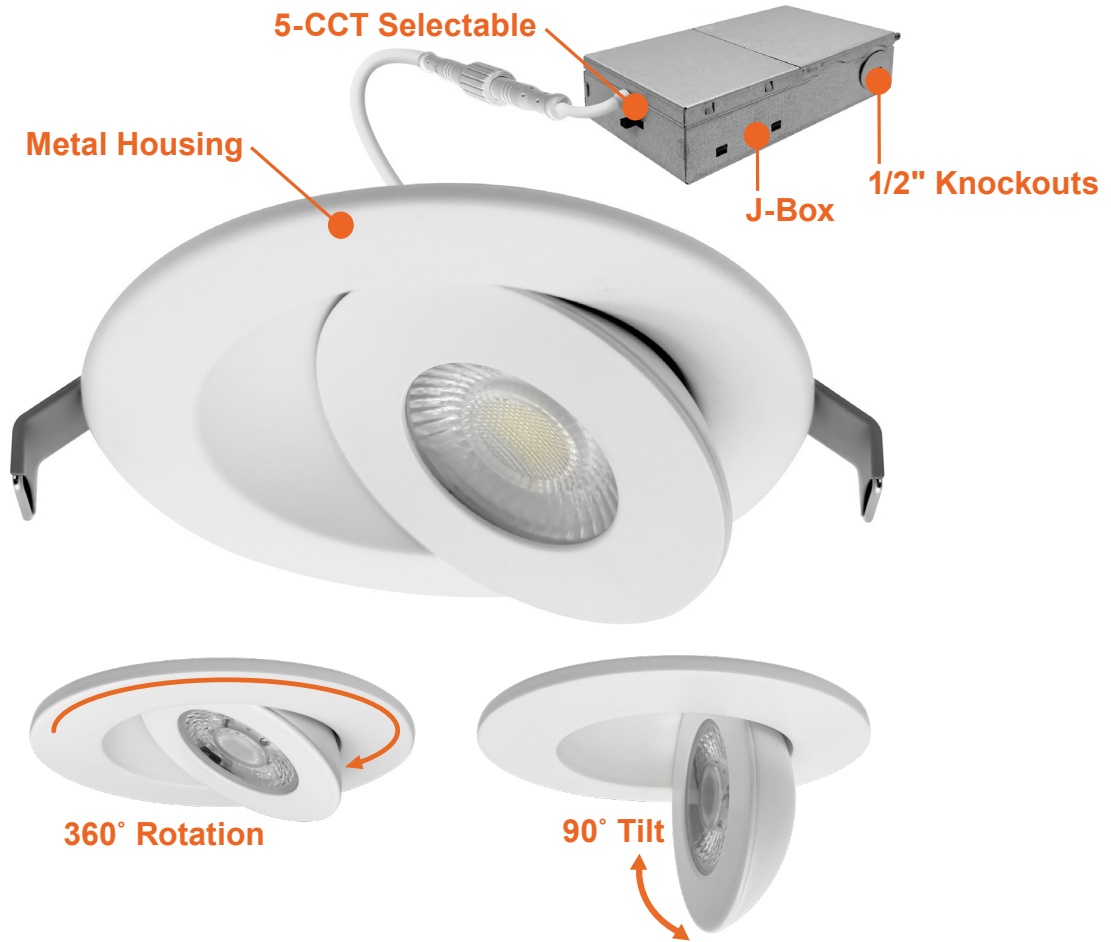
Series	Emergency
<b>LED-SL-FLT-4R-9W-5CCT-WH</b> 4" • 9W • 700lm • 120V Triac Dimmable	(Blank)
<b>LED-SL-FLT-4R-9W-5CCT-WH-UNV</b> 4" • 9W 700lm • 120-277V • 0-10V Dimmable	No Emergency Backup
<b>LED-SL-FLT-6R-13W-5CCT-WH</b> 6" • 13w • 1,000lm • 120V Triac Dimmable	<b>EMB</b> Emergency Backup
<b>LED-SL-FLT-6R-13W-5CCT-WH-UNV</b> 6" • 13w • 1,000lm • 120-277V • 0-10V Dimmable	Emergency Backup

Optional Accessories (Order Separately)	
New Construction Plates	Emergency Backup <sup>1</sup> (field install)
<b>CUNV-NC-ICAT-7H</b> 1, 2, 3, 3.5, 4, 5, 6" w/ hanging bars	<b>LED-EMB-16W</b> <b>-HV-0/10V</b> Up to 16W fixtures
<b>CUNV-JBX-RI-XL</b> 2, 3, 3.5, 4, 5, 6" Rough in plate. Extra long.	

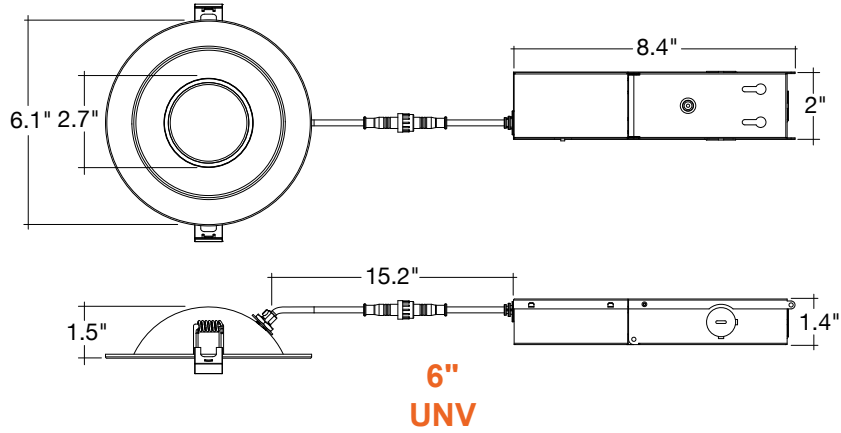
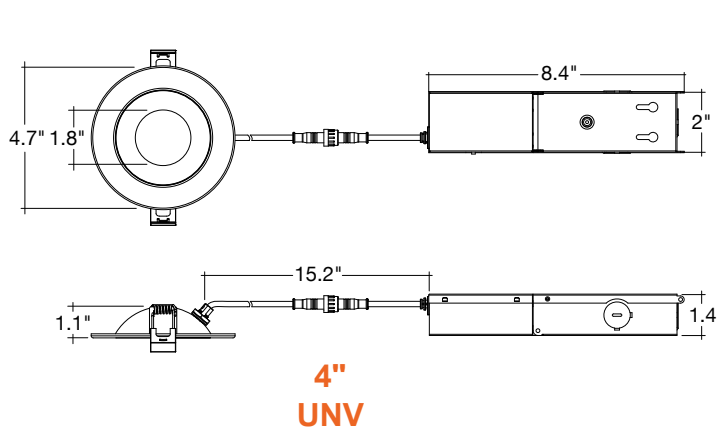
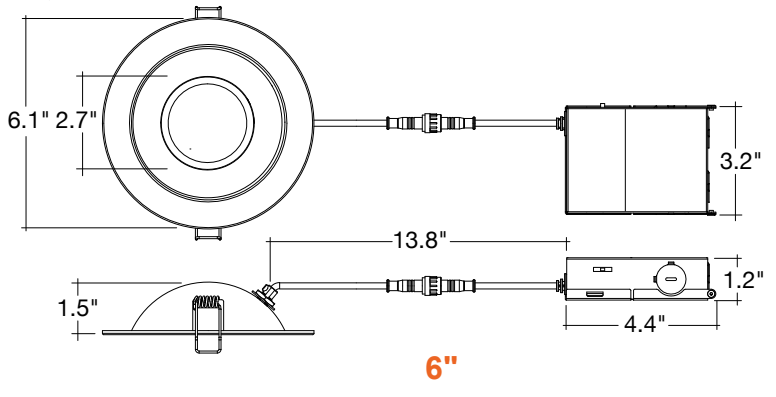
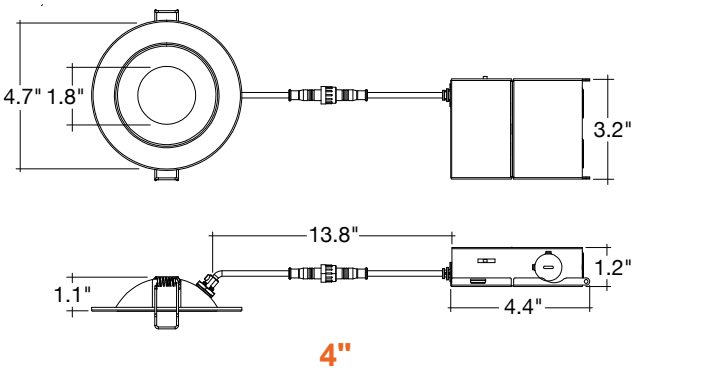
<sup>1</sup>. Field installable.  
Lasts 90 minutes.

Specs and model numbers are subject to change with or without notice.

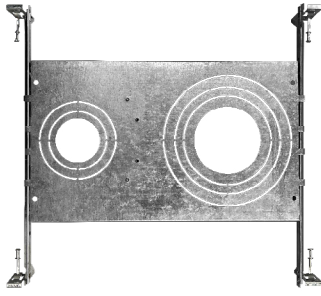
**FEATURES**



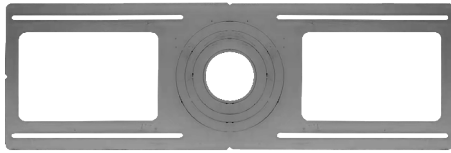
**DIMENSIONS**



**ACCESSORIES**



**CUNV-NC-ICAT-7H**  
Universal Pre-Mounting Plate  
13 7/8" x 15 1/8"



**CUNV-JBX-RI-XL**  
7" x 26"



**LED-EMB-16W-HV-0/10V**

Fixture Model	Voltage	Watts	Lumens	Color	CRI
LED-SL-FLT-4R-9W-5CCT-WH	120V	9W	700	27/30/35/40/50k	>90
LED-SL-FLT-4R-9W-5CCT-WH-UNV	120V	9W	700	27/30/35/40/50k	>90
LED-SL-FLT-6R-13W-5CCT-WH	120V	13W	1000	27/30/35/40/50k	>90
LED-SL-FLT-6R-13W-5CCT-WH-UNV	120V	13W	1000	27/30/35/40/50k	>90

**CONSTRUCTION PLATES**

Accessory	Description
CUNV-NC-ICAT-7H	1", 2", 3", 3.5", 4", 5", 6" Universal Pre-Mounting New Construction Plate (Round fixtures only)
CUNV-JBX-RI-XL	2", 3", 3.5", 4", 5", 6" Rough in plate. Extra long.

**EMERGENCY BACKUP**

Accessory	Description
LED-EMB-16W-HV-0/10V	Up to 16W fixtures

**TESTED  
COMPATIBLE DIMMERS**

Other dimmers may be compatible but have not been tested. Please contact us for more information.  
**TRIAC/ELV Dimmers**

Lutron	Leviton	Legrand	Cooper
AYCL-153P	6633	ADTP703TU	9540
DV-600PR	6674	H703PTW	DAL06P
DVCL-153P	6602		
MACL-153MH	IPL06		
MRF2-6CL			
D-600P			
NTELV-300P			
S-600P			
CT-600P			
CTCL-153P			
TG-600P			
TCCL-153P			