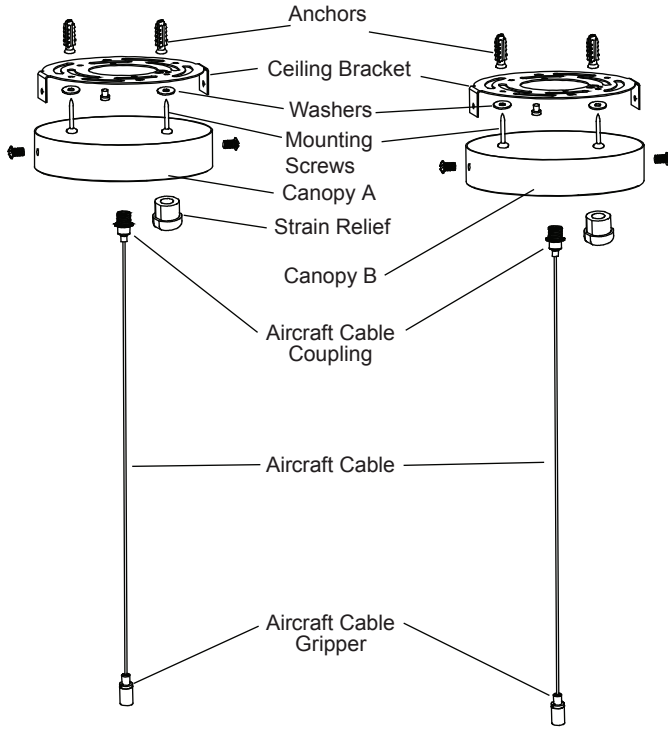


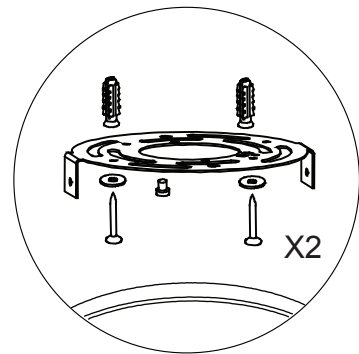
LED Linear Architectural Installation Instructions

- LED-ALIN2-1FT-3P12-D-5CCT-WH
- LED-ALIN2-2FT-3P25-D-5CCT-WH
- LED-ALIN2-4FT-3P50-D-5CCT-WH
- LED-ALIN2-6FT-3P75-D-5CCT-WH
- LED-ALIN2-8FT-3P100-D-5CCT-WH

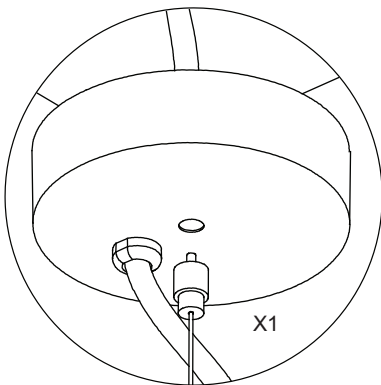
SUSPENSION MOUNT INSTALLATION



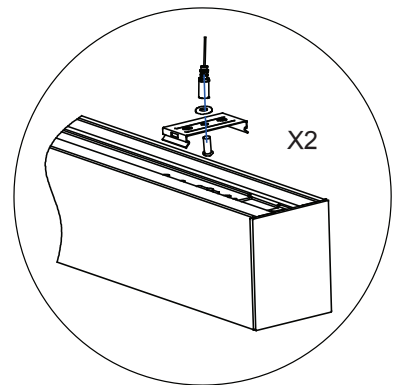
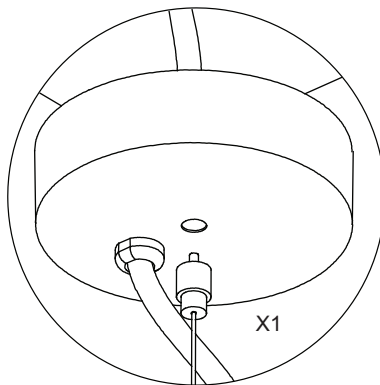
| | |
|--|-----------------------|
| | |
| KIT: M4 12 Pan Head Cross Screw X2 | KIT: Ø5*12 Shim X2 |



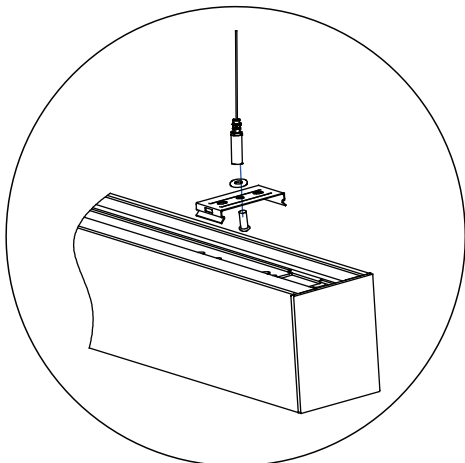
Install hanging plates and grounding wire



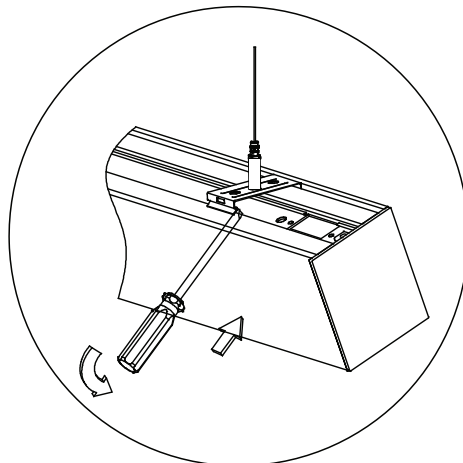
Installation and wiring of disc junction box



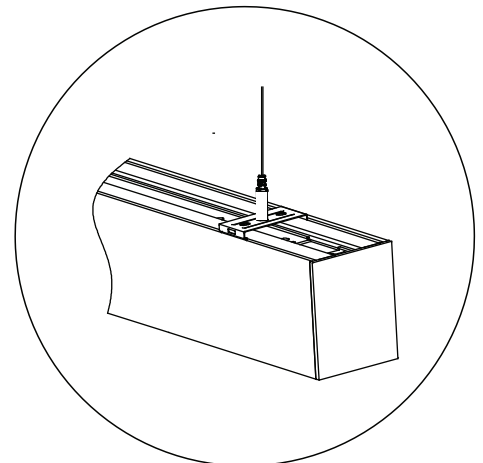
Install the suspension screw



Step 1

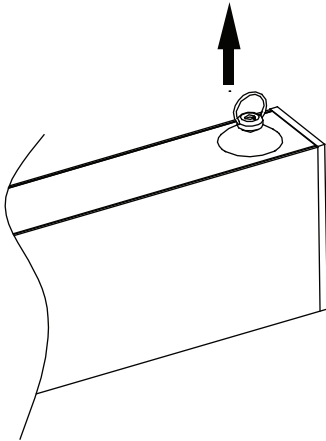


Step 2

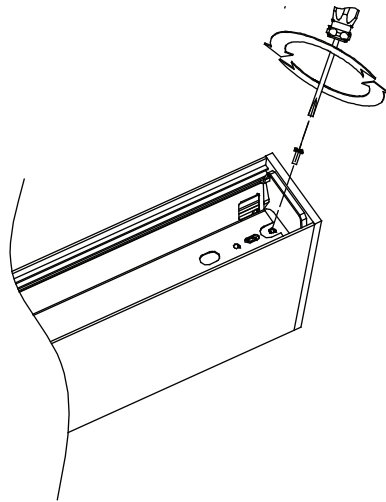


Step 3

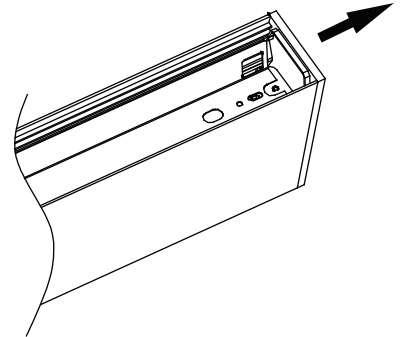
FIXTURE JOINING INSTALLATION



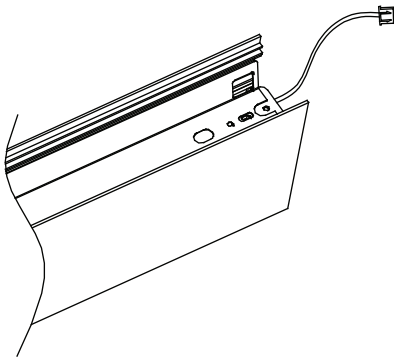
Pull the mask off with a suction cup



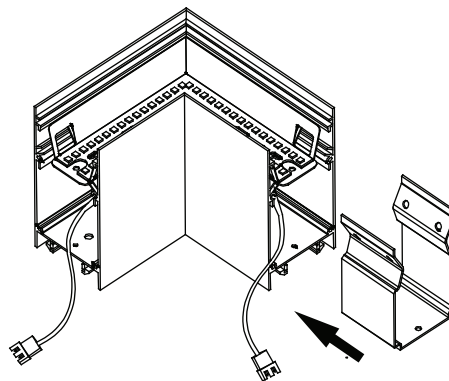
Remove the screw



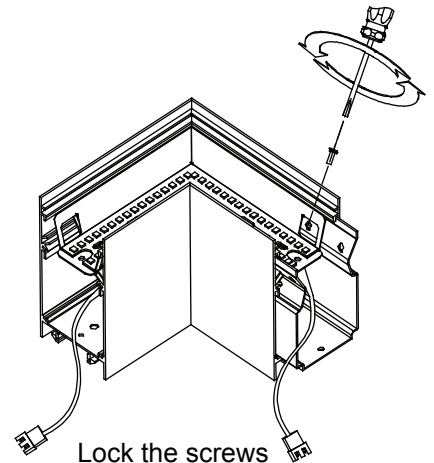
Pull the end cover out



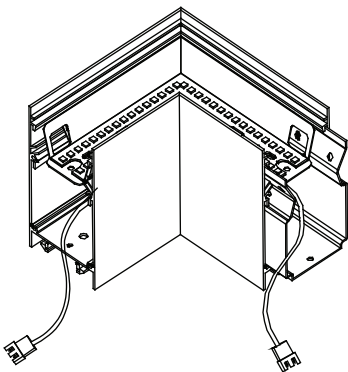
End cover removed



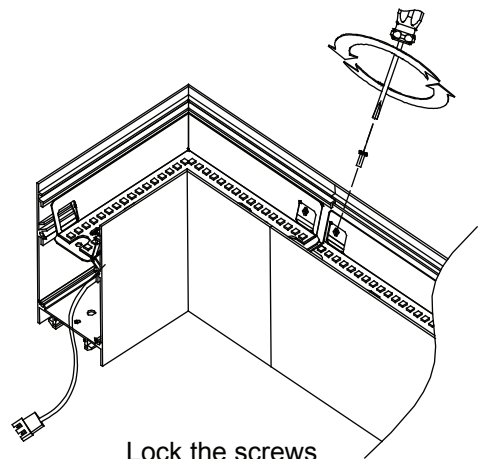
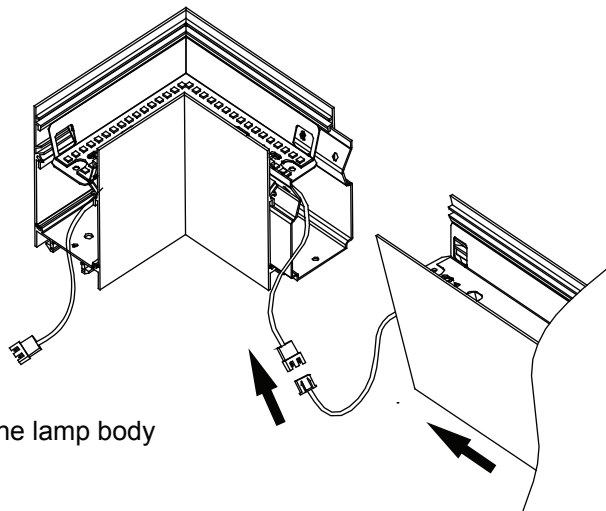
Insert the connector into the lamp body



Lock the screws

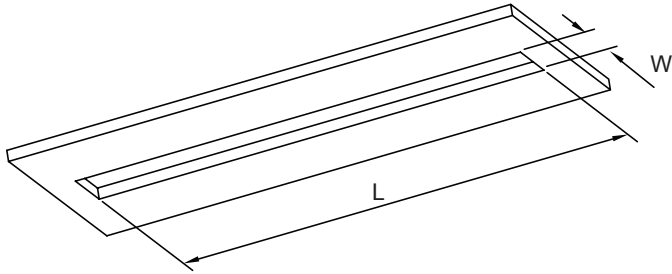


Pull the cord and connect the lamp body

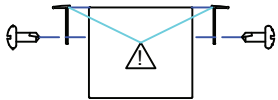


Lock the screws

FLANGE KIT INSTALLATION

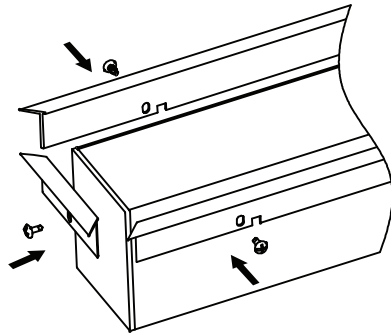


| Dimensions | 2ft. | 4ft. | 6ft. | 8ft. |
|------------|-------|-------|-------|-------|
| L | 24.7" | 48.7" | 72.7" | 96.7" |
| W | 2.29" | | | |

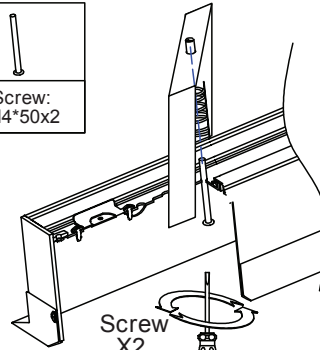
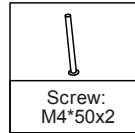


Kit:
M4*8 Round head dovetail screw

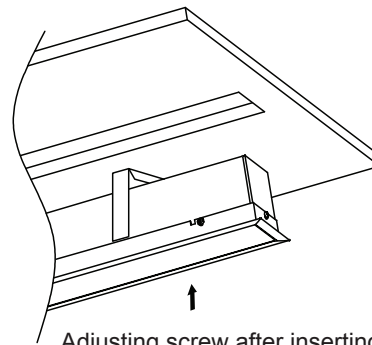
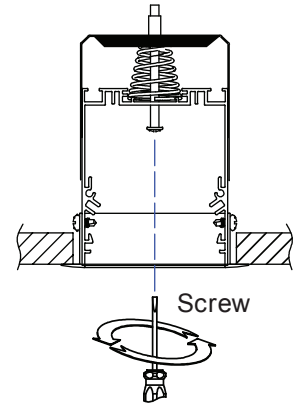
2ft: 8PCS.
4ft: 10PCS.
6ft: 12PCS.
8ft: 14PCS.



Install the border strip

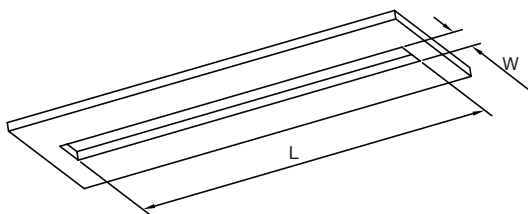


Install the U-shaped insert



Adjusting screw after inserting into ceiling

TRIMLESS FLANGE INSTALLATION



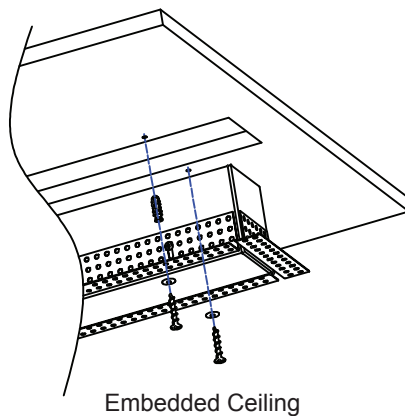
| Dimensions | 2ft. | 4ft. | 6ft. | 8ft. |
|------------|-------|-------|-------|-------|
| L | 24.7" | 48.7" | 72.7" | 96.7" |
| W | 2.29" | | | |

Kit:
M4*25 Countersunk Cross Self-Tapping Screw

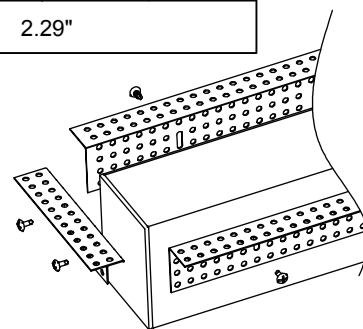
Kit:
Ø4*12 Shim

Kit:
Expansion Glue Nail

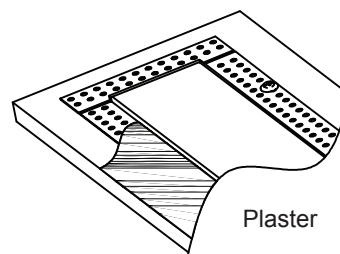
2ft: 6PCS.
4ft: 8PCS.
6ft: 12PCS.
8ft: 16PCS.



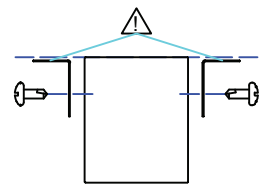
Embedded Ceiling



Install a batch of gray strips



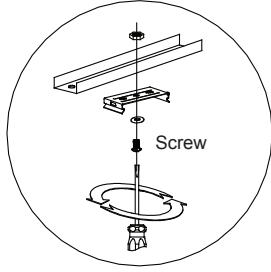
Plaster



Kit:
M4*8 Round head dovetail screw

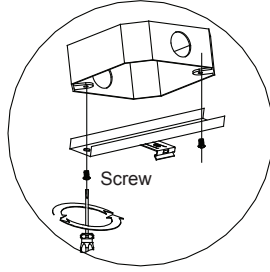
2ft: 10PCS.
3ft: 10PCS.
4ft: 12PCS.
6ft: 16PCS.
8ft: 20PCS.

SURFACE MOUNT INSTALLATION



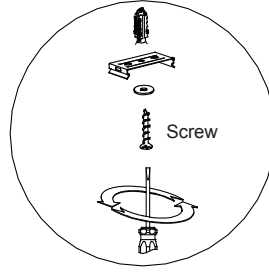
Step 1

Screw C clip and U shape metal plate together



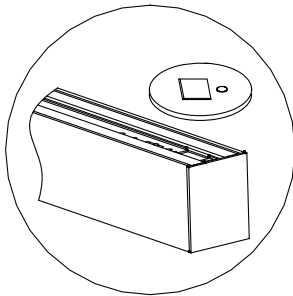
Step 2

Fix them with junction box



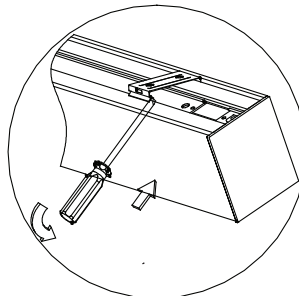
Step 3

Fix the orther C clip into the ceiling



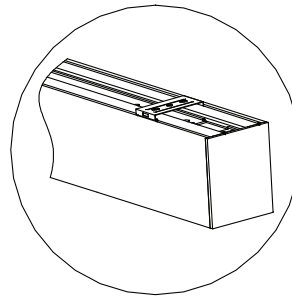
Step 4

Cover the junction box with round metal plate



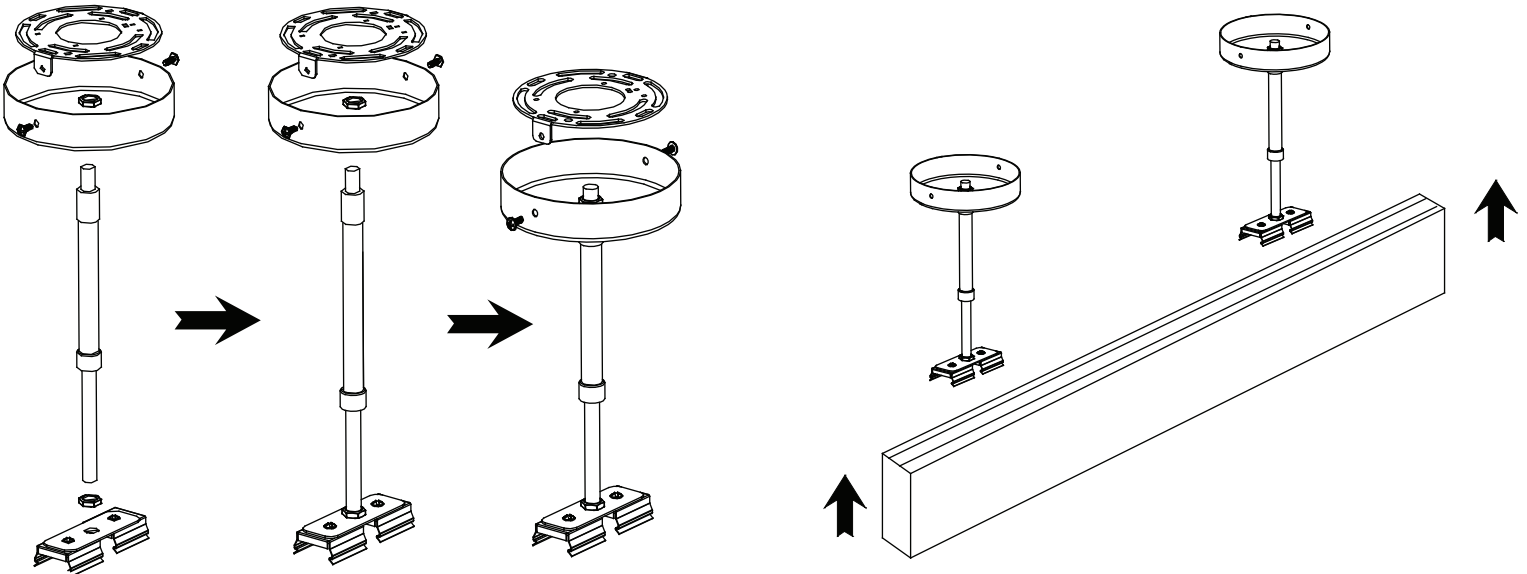
Step 5

Secure the light with installed C clips



Step 6

SUSPENSION ROD KIT INSTALLATION



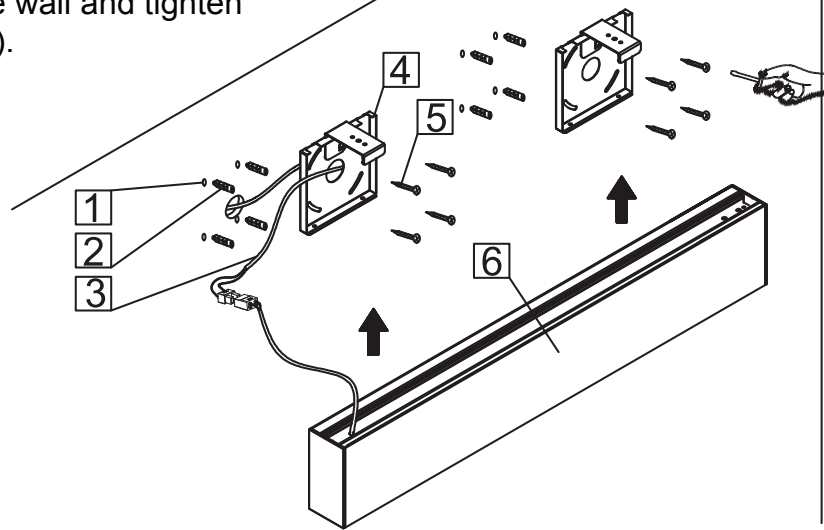
a. Fix suspension canopy and screw the bracket

b. Fix the lighting to the rod kits.

WALL MOUNT INSTALLTION

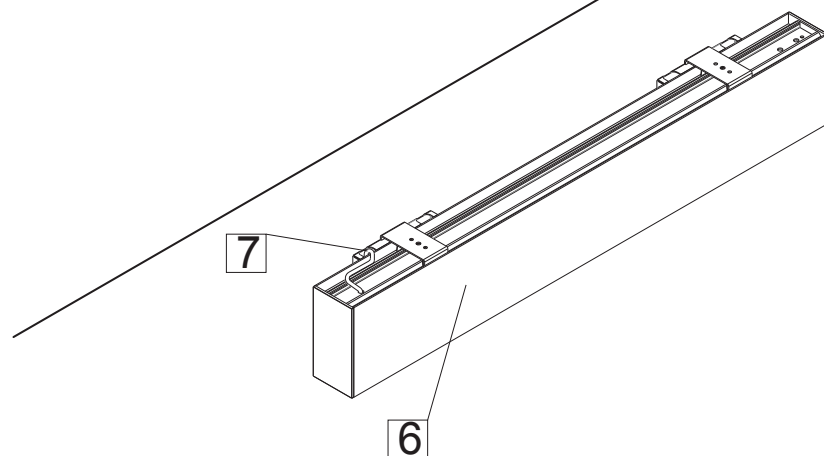
Step 1

1. Drill a hole in the wall
2. Insert the wall anchor (2).
3. Pull out the pre-buried wire in the wall through the mounting piece (4) and connect it to the power cord of the lamp (6).
4. Fix the mounting piece (4) to the wall and tighten it with the self-tapping screw (5).



Step 2

5. Move the lamp close to the mounting piece (6), plug the power cord back into the wall, and then snap the lamp into the hook of the mounting piece to complete the fixation.
6. Arrange the power cord (7) to complete the installation.

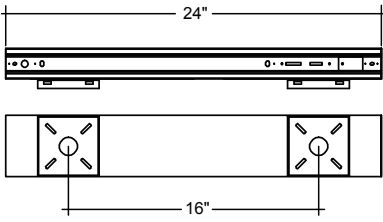


CAUTION: Please note DO NOT use this product in the following places/application

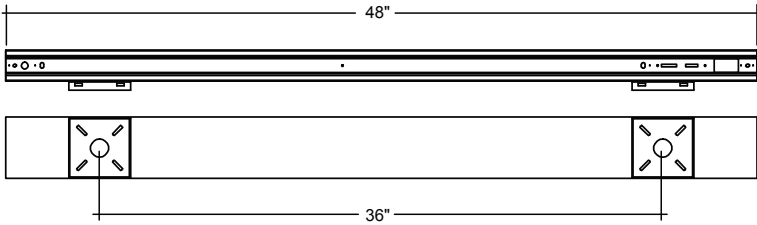
1. The place has a large quantity of lamp black and smoke, such as: kitchen and food processing factory.
2. The place has a large quantity of chemical corrosive substance, such as: chemical plant and stockyard etc.
3. The place has poor temperature conditions, large-scale temperature variation, which would easily lead to broken and damage the product, the applicable operating temperature is between 59° & 113°

WALL MOUNT PLACEMENTS

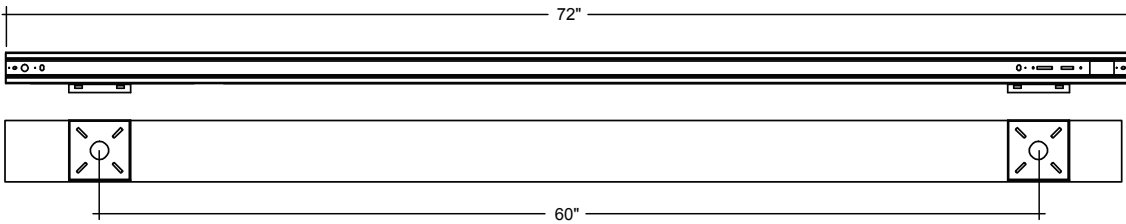
2FT



4FT



6FT



8FT

