

# eMOTUS5016

## COMMERCIAL LOUDSPEAKERS

### Outdoor Loudspeaker



## PRODUCT OVERVIEW

**eMOTUS5016** is a low impedance (16 ohm) loudspeaker cabinet, 5" woofer + 1" tweeter coaxial with eMOTUS unique design. Ready for indoor and outdoor applications, thanks to its aluminium grill and UV protection treatment (IP65-rated). A professional and compact loudspeaker, cost-effective and with a unique design that will easily fit in a massive number of applications: theme parks, gardens, nature parks and urban spaces, leisure, health and sport centres, residential buildings, outdoor areas, etc. Available in black and white colour. Wall mount accessories and safety sling are included for an easy and secure installation.

## KEY FEATURES

- 5" woofer + 1" coaxial tweeter
- 40 W RMS @ 16Ω
- Power options: 16 ohm.
- Max SPL (Peak) :108dB
- Euroblock connection.
- Outdoor design: IP65 rated
- Wall bracket and security steel cable included.
- Adhesive legs for positioning the loudspeakers on a desktop included.
- Rubber cover to protect rear connections.
- Available in black (RAL 9005) and white (RAL 9016) colour
- [EASE files available.](#)



## APPLICATIONS

- Retail
- Education
- Corporate
- Leisure
- Sports & Wellness
- Hospitality

## ACCESSORIES AND COMPATIBLE DEVICES

- CEILY (ceiling bracket).
- GROUNDY (ground bracket).

## TECHNICAL SPECIFICATIONS

## eMOTUS5016

System	
Effective frequency range <sup>1</sup>	80Hz-20kHz (-10dB)
Coverage angle <sup>2</sup>	150° x 150° (HxV)
Power handling	40 W RMS / 160 W Peak
Sensitivity <sup>3</sup>	86dB (1W/1m)
Maximum SPL <sup>4</sup>	102dB continuous / 108dB peak
Power options	16 Ω
Recommended amplifier power	80 W RMS
Transducers	
Ways	2-ways full range
Low frequency driver	5" woofer
High frequency driver	1" coaxial tweeter
Nominal impedance	16Ω
Physical	
Connection type	2-terminal Euroblock connector (Input)
Installation options	Surface (wall mount), desktop
Environmental	IP65 rated
Enclosure material	ABS plastic
Grille material	Aluminium
Mounting system	ABS bracket
Operating temperature	Min: -10°C; 14°F Max: 40°C; 104°F
Operating humidity	<85% HR
Storage temperature	Min: -10°C; 14°F Max: 40°C; 104°F
Storage humidity	<90% HR
Included accessories	Wall-mount bracket, adhesive legs, back rubber cover & security steel cable
Finished colour	White (RAL 9016) or black (RAL 9005)
Dimensions (WxHxD)	173 x 180 x 180 mm / 6.81 x 7.09 x 7.09 in.
Weight	1.75kg. / 3.86 lb.
Pieces per box	2
Shipping dimensions (WxHxD)	230 x 220 x 460 mm / 9.01 x 9.67 x 18.11 in.
Shipping weight	4.5 kg / 9.92 lb

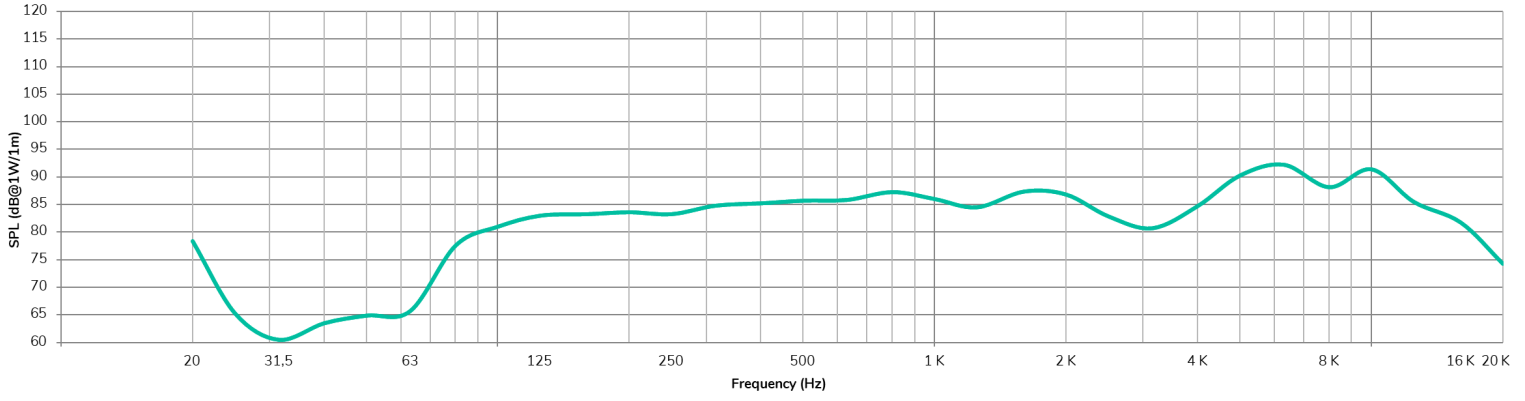
<sup>1</sup>10dB below the sound pressure level at specified sensitivity

<sup>2</sup>6dB below the sound pressure level than that at the direction of maximum level. Max. angle between 1 kHz and 4 kHz.

<sup>3</sup>Measured on-axis, 2,83V, far field and referenced to 1 meter by inverse square law. Average from 100 Hz to 10 kHz.

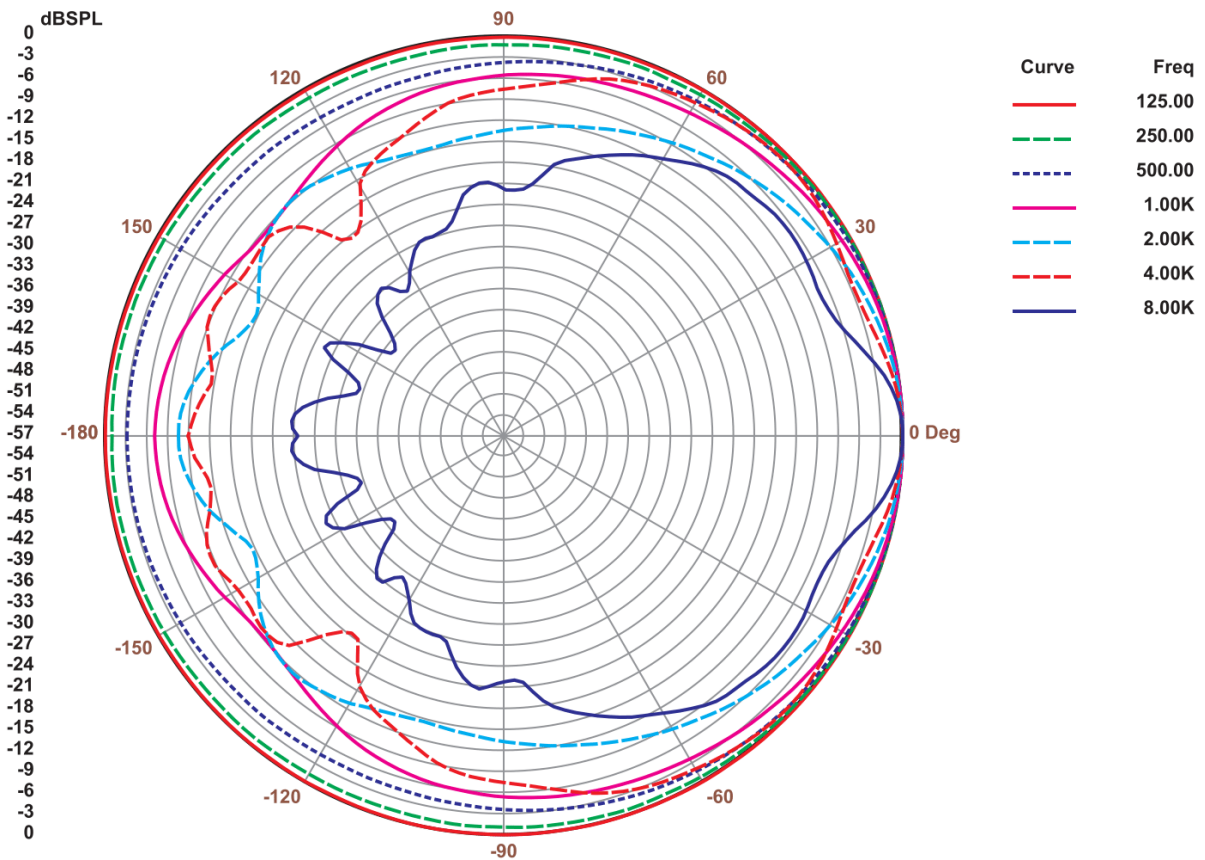
<sup>4</sup>Calculated from sensitivity and power handling specifications, exclusive of power compression

FREQUENCY RESPONSE ON-AXIS



POLAR DIAGRAMS

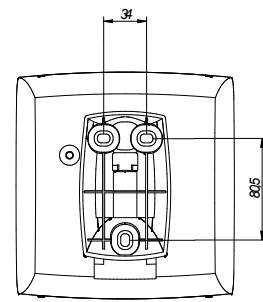
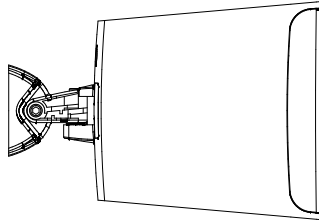
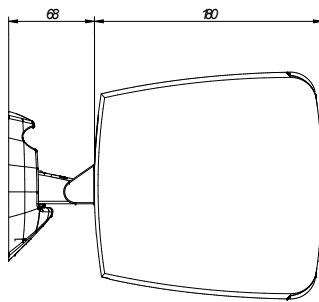
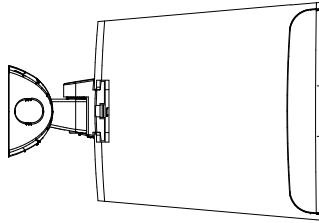
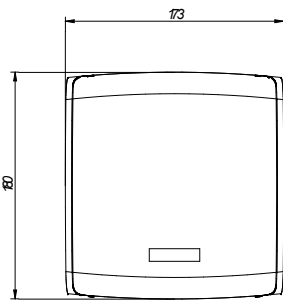
CONICAL



MECHANICAL DIAGRAM



Ecler eMOTUS50D Mechanical Diagram

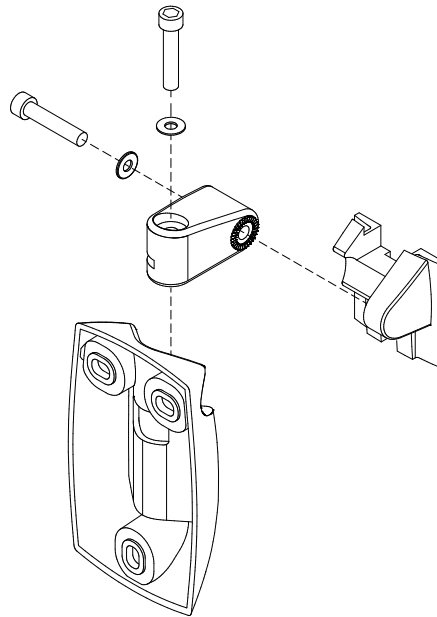


All the measurements are in mm

61-1073-0100

[www.ecler.com](http://www.ecler.com)

## WALL BRACKET MOUNTING DIAGRAM



## A&E SPECIFICATIONS

The loudspeaker shall be a wall-mount type consisting of a 5" woofer and 1" coaxial tweeter suitable for low impedance installations ( $16\Omega$ ). The power handling should be 40 W RMS at a nominal impedance of  $16\Omega$  with a peak power handling of 160 W.

The effective frequency range ( $\pm 10$  dB) shall be from 80 Hz to 20 kHz. The sensitivity shall be 86 dB considering 1 W input signal at 1 meter distance. The maximum continuous sound pressure level shall be 102 dB, while the maximum peak pressure level shall be 108 dB considering the loudspeaker's rated power. The coverage angle shall be  $150^\circ \times 150^\circ$  (HxV) coverage pattern.

The enclosure shall be made of ABS plastic and the grill shall be made of rust-proof aluminium. It shall be IP65 rated for outdoors installation. It shall come available in both white (RAL9016) and black (RAL9005) colours. Connection shall be made via terminal block, including Wall-mount bracket, adhesive legs, back rubber, cover & security steel cable.

The loudspeaker shall have a width of 173 mm, a high of 180 mm and a depth of 180 mm. The weight shall not exceed 1.75kg. It shall have data files available that can be used with EASE acoustic simulation software.

The loudspeaker shall be the ECLER eMOTUS5016.