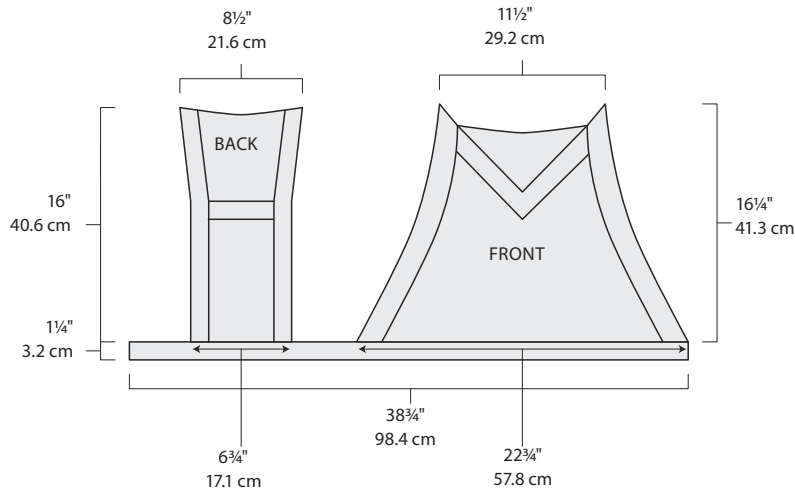


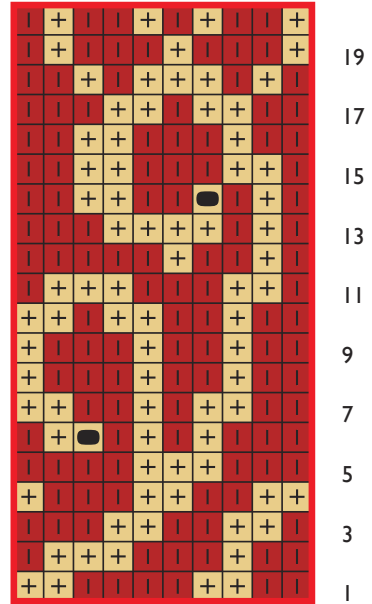
A Brocade Vestment to Knit

VICKI SQUARE

Measurements







Fair Isle



10 st repeat

Key

-  with B, k on RS; p on WS
-  with C, k on RS; p on WS
-  pattern repeat
-  cover this st with a bead while working the next RS row: place a bead on the crochet hook; sl the st to be covered with a bead to the crochet hook and pull the st through the bead; replace the st onto the left needle and k it with color C