

Cerium™

— Technical Information Pack



Vortex™
Spas

Cerium™



JETS

55



VOLUME

900 litres



SEATING

4 seats



DIMENSIONS

2.00 x 2.00 x 0.82m



FEATURES

Build

- Superior USA made Aristech™ acrylic
- Thermobond™ 4 layer shell construction
- 9 shell/cabinet colour combinations
- Duraflex™ 'no kink' PVC plumbing
- Aromatherapy
- Thermoclad™ maintenance-free cabinet

Water care

- Purezone™ micro filtration
- Purezone™ CD Ozone water clarifier

Lighting

- Hydroglow™ underwater LED floodlight

Control

- SpaNet™ premium control systems
- Spa Health Indicator

Hydrotherapy

- Neck therapy collar
- Volcano jet
- Hydrotherapy loungers
- Individual seat pressure controls

Upgrades included in Avanté pack

- PermaFrame™ timber-free construction
- Purezone™ UV-C sanitiser
- ThermoLock™ Dual layer insulation
- Hydroflow™ stainless steel bearing-less jets
- Hydroglow™ LED backlit water cascade
- Hydroglow™ jet & topside control lighting
- Hydroglow™ programmable lighting
- Hydroglow™ perimeter & cabinet lighting
- Hydroglow™ backlit drink holders
- Hydroglow™ backlit laminar jets

Optional extras

- SmartLINK™ Wifi connectivity
- SmartSTREAM™ sound system
- SpaNet™ Hybrid heat pump

WARRANTIES

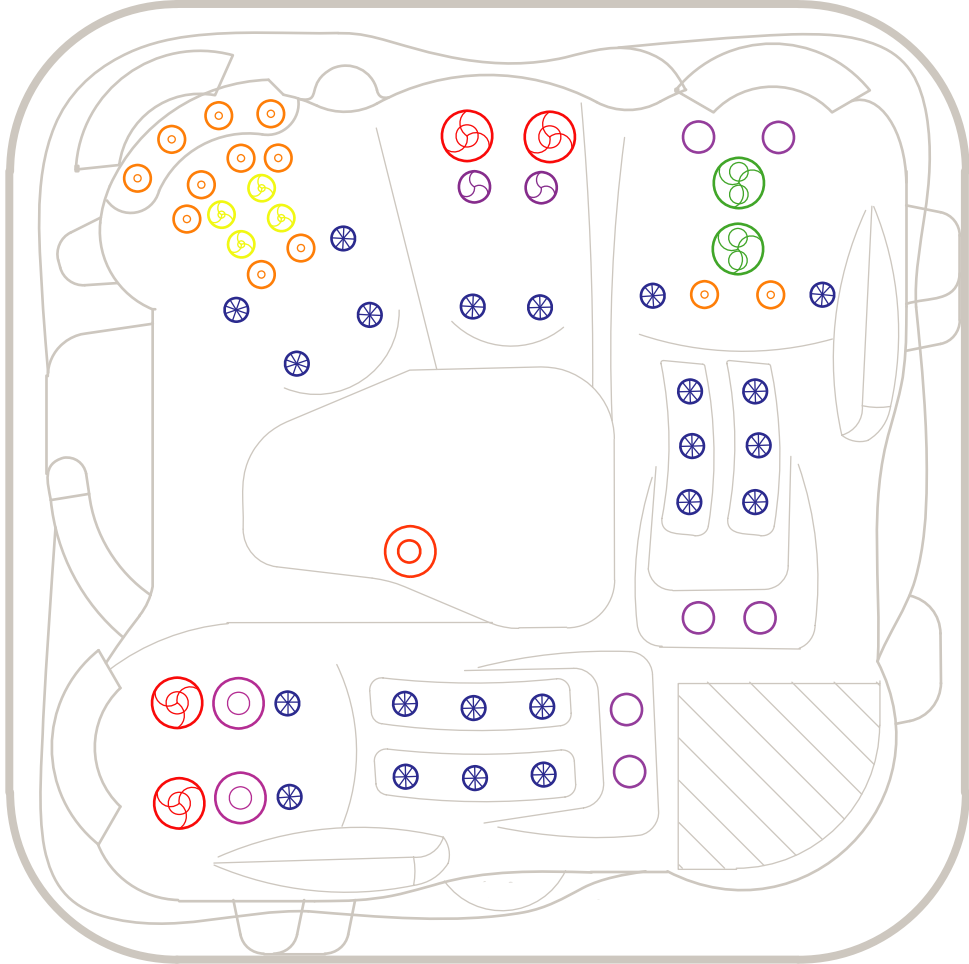
Frame	Lifetime
Shell structure.....	10 yrs
Acrylic surface	5 yrs
Jets, plumbing & heater	5 yrs
Pumps & equipment	2 yrs

* Conditions apply. Specifications may change without notice. Pictures may show options not available on all models.

Cerium™

Jet specifications

Dimensions: 2.00 x 2.00 x 0.82m



 127mm Single Spinning Jets

 127mm Hi Volcano Directional Jet

 127mm Twin Spinning Jets

 75mm Directional Jets

 75mm Single Spinning Jets

 50mm Directional Jets

 50mm Twin Spinner Jets

 40mm Air Jets

 127mm Directional Jets

* Conditions apply. Specifications may change without notice. Pictures may show options not available on all models.

Cerium™

Specifications table

Dry weight	285kg
Filled weight (incl cover)	1200kg
Lift weight	369kg
Intuitive spa controller	SV2
Programmable circulation pump	1
Jet pumps	1
Variable speed air blower	1
Variable output heater	3kW max
Recommended electrical supply	15 amps

* Conditions apply. Specifications may change without notice. Pictures may show options not available on all models.

Cerium™

Equipment location

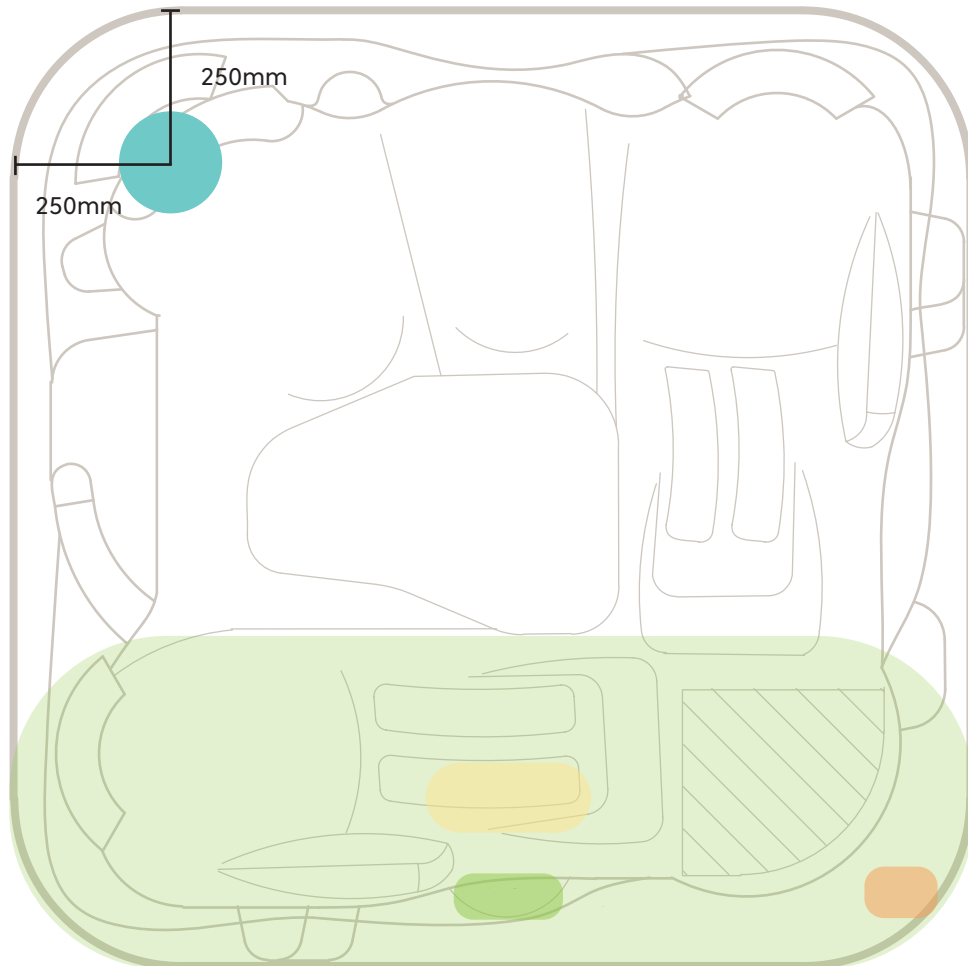


Illustration shows Cerium™ spa pool model

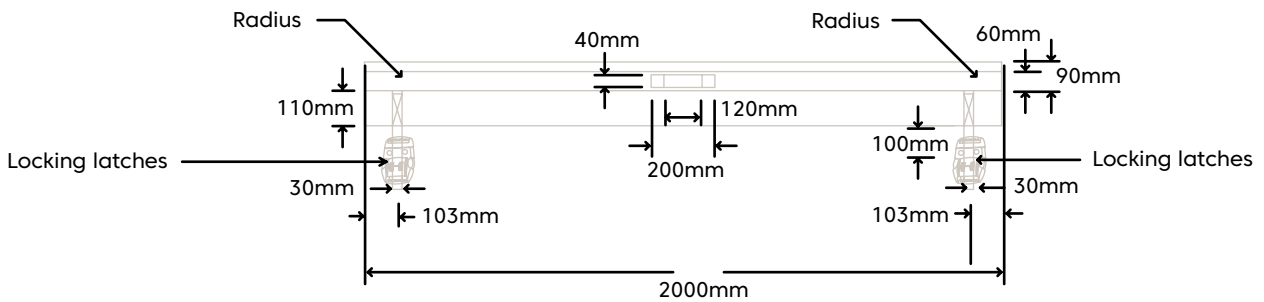
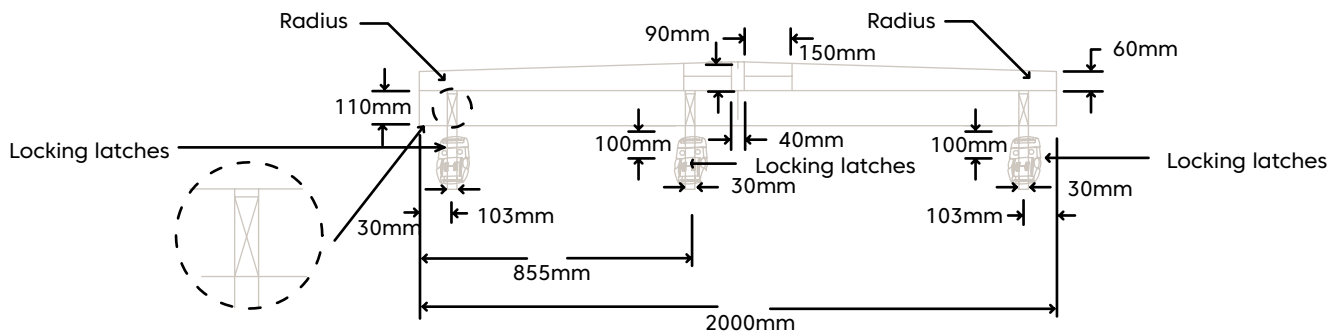
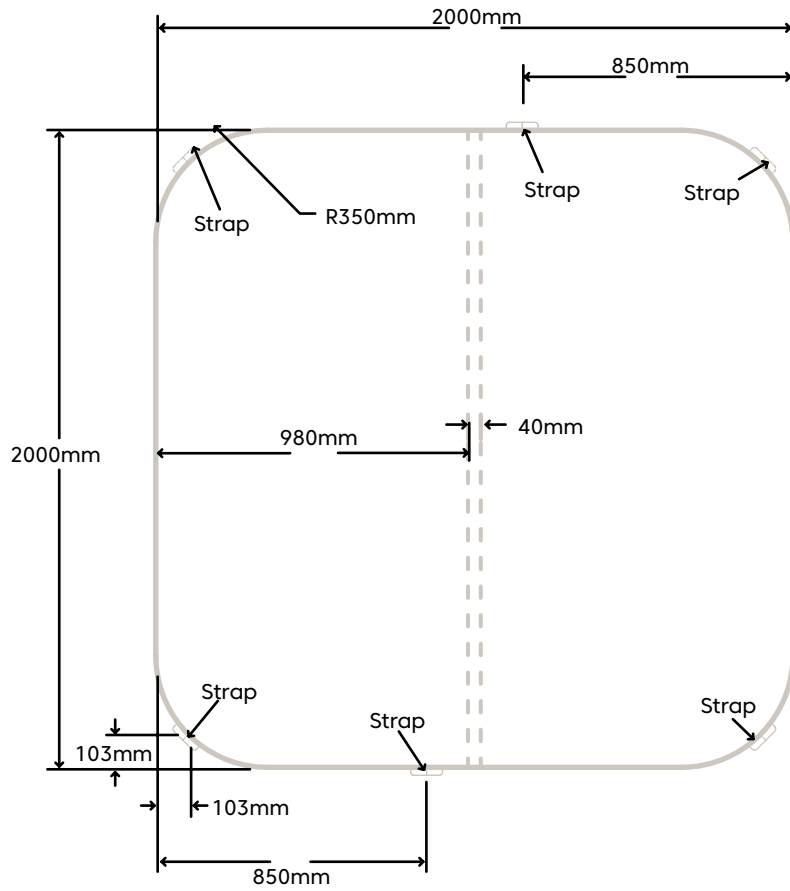
	Equipment Bay		Drain Valve
	Keypad		Circulation Pump
	Conduit Access		

* Conduit access should be no more than 100mm high above the concrete slab.

Note: This model has a rigid base, and if you choose to bring the piping conduit in from the bottom through the base, you will need to cut a hole into the base on-site before installation. The factory does not provide this hole. Please see the diagram above to find the location where you can drill the hole.

Cerium™

Standard Spa Cover





VortexTM
Spas