

Aquagym Max™

—
Technical
Information
Pack



Vortex[™]
Spas

Aquagym Max™



JETS

Up to 81



WATER CAPACITY Up to 7,750 litres



SEATING

Up to 6 seats



DIMENSIONS 4.46 x 2.30 x 1.3/1.5m



The image shows Vortex Aquagym Max™ Avante swim spa on Gypsum colour shell and Coastal Grey cabinet.

FEATURES

Build

- Step down access
- Superior USA made Aristech™ acrylic
- Thermobond™ 4-layer shell construction
- 9 shell/cabinet colour combinations
- Galvanised steel frame construction
- Duraflex™ 'no kink' PVC plumbing
- Aromatherapy system
- Thermoclad™ maintenance-free cabinet

Water care

- Purezone™ micro filtration
- Purezone™ Ozone water clarifier

Lighting

- Hydroglow™ underwater LED floodlight

Control

- SpaNet™ premium control systems
- Spa health indicator

Hydrotherapy

- Individual seat pressure controls
- Neck therapy collar
- Hydrotherapy lounger

Optional Upgrades Included in Avante

- Purezone AOS™ Automatic Water Sterilizer
- ThermoLock™ Dual layer insulation
- Hydroglow™ programmable lighting
- Hydroflow™ stainless steel bearing-less jets
- Hydroglow™ LED backlit water cascade
- Hydroglow™ jet & topside control lighting
- Hydroglow™ perimeter & cabinet lighting
- Hydroglow™ backlit drink holders
- Hydroglow™ backlit laminar jets

Optional Extras

- SmartLINK™ Wifi connectivity
- Vortex™ Audio WiFi Kit
- SpaNet™ Hybrid heat pump

WARRANTIES

Frame	Lifetime
Shell structure.....	10 yrs
Acrylic surface	5 yrs
Jets, plumbing & heater	5 yrs
Pumps & equipment	2 yrs

* Conditions apply. Specifications may change without notice. Pictures may show options not available on all models.

Aquagym Max™

Height comparison

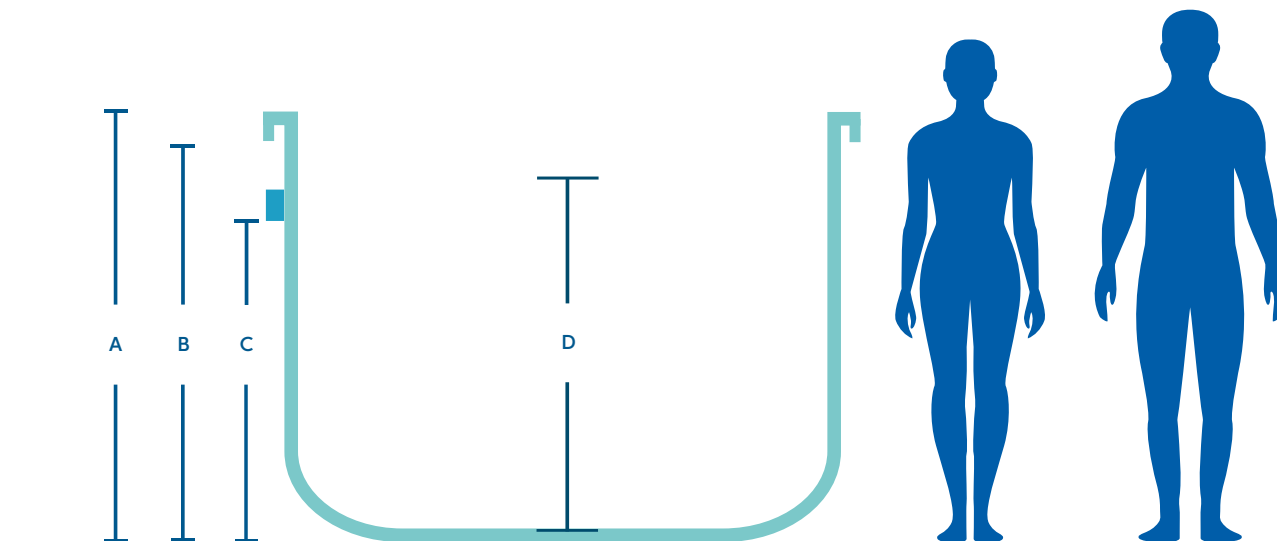


Illustration shows Aquagym Max XD™ 1.5m swim spa model

		Aquagym Max™	Aquagym Max XD™
Model dimensions		4.46(L) x 2.30(W)m	4.46(L) x 2.30(W)m
A	Total height +-20mm	1.3m	1.5m
B	Product height under lip +-20mm	1,200mm	1,398mm
C	Height to bottom of health light +-25mm	995mm	1,192mm
D	Water depth from floor to recommended fill level	1,095mm	1,280mm

Aquagym Max™

Jet specifications

Dimensions: 4.46 x 2.30 x 1.3m

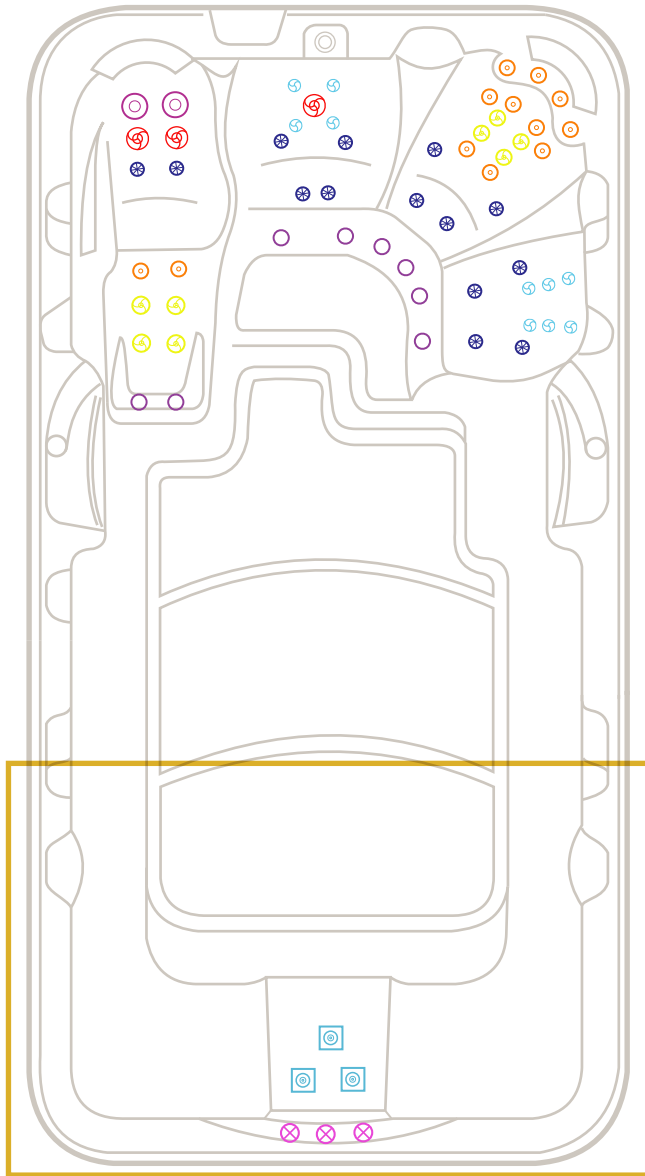


Illustration shows our most popular swim spa Aquagym Max Pro+™ model.

 140mm Single Spinning Jets

 140mm Directional Jet

 100mm Directional Jets

 40mm Air Jets

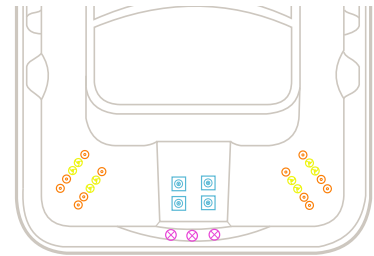
 63mm Directional Jets

 63mm Twin Spinner Jets

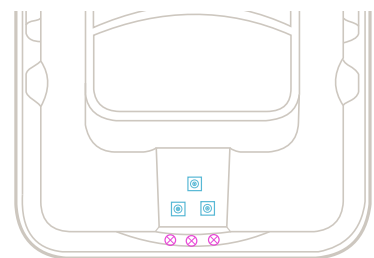
 100mm Twin Spinner Jets

 Waterfall Jets

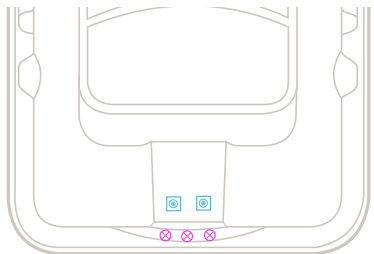
Aquagym Max Extreme™



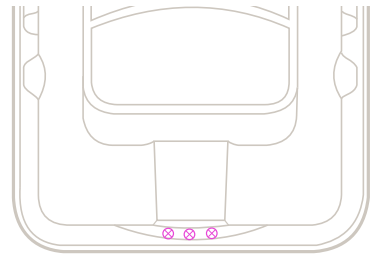
Aquagym Max Pro+™



Aquagym Max Pro™



Aquagym Max Plunge™



 150mm Swim Jets

* Conditions apply. Specifications may change without notice. Pictures may show options not available on all models.

Aquagym Max XD™

Jet specifications

Dimensions: 4.46 x 2.30 x 1.5m

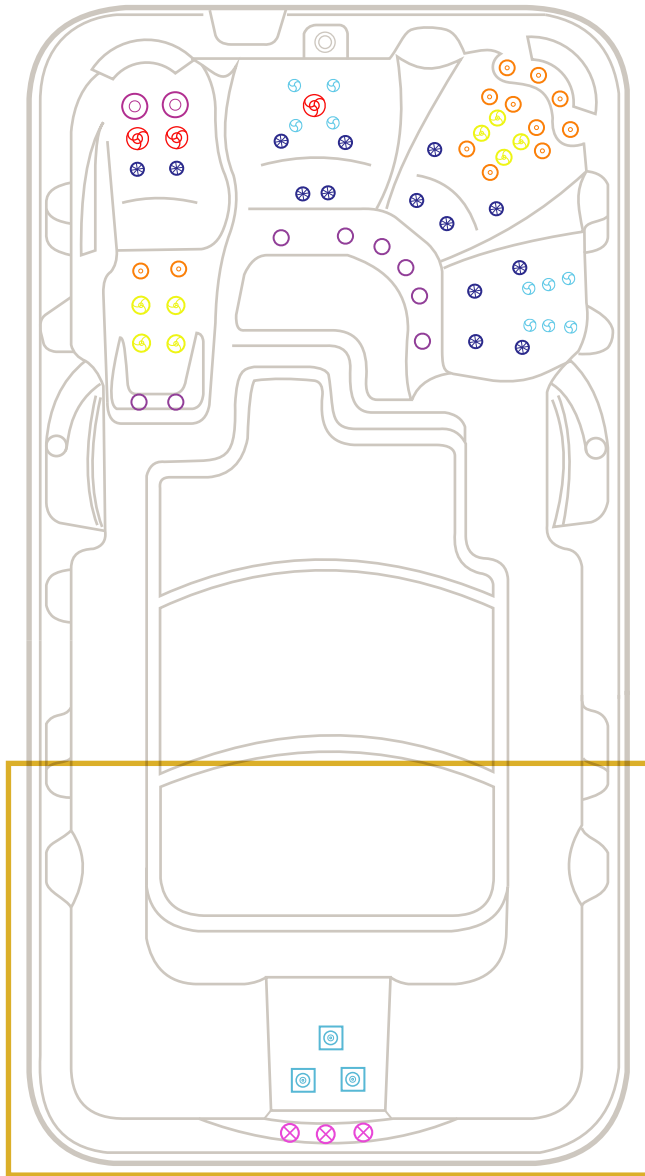


Illustration shows our most popular swim spa Aquagym Max Pro+ XD™ model.

 140mm Single Spinning Jets

 140mm Directional Jet

 100mm Directional Jets

 40mm Air Jets

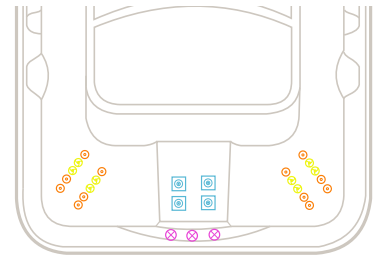
 63mm Directional Jets

 63mm Twin Spinner Jets

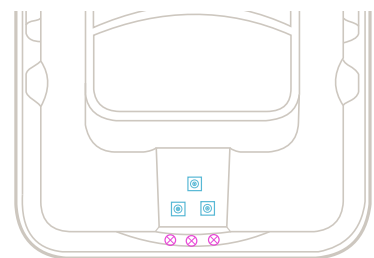
 100mm Twin Spinner Jets

 Laminar Jets

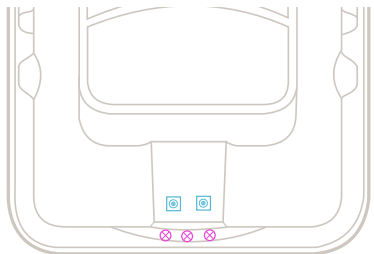
Aquagym Max Extreme XD™



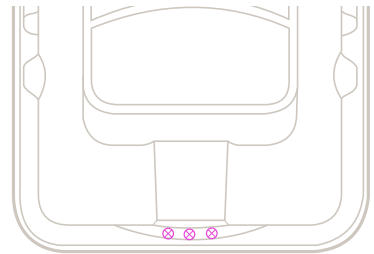
Aquagym Max Pro+ XD™



Aquagym Max Pro XD™



Aquagym Max Plunge XD™



 150mm Swim Jets

* Conditions apply. Specifications may change without notice. Pictures may show options not available on all models.

Aquagym Max™

Specifications table

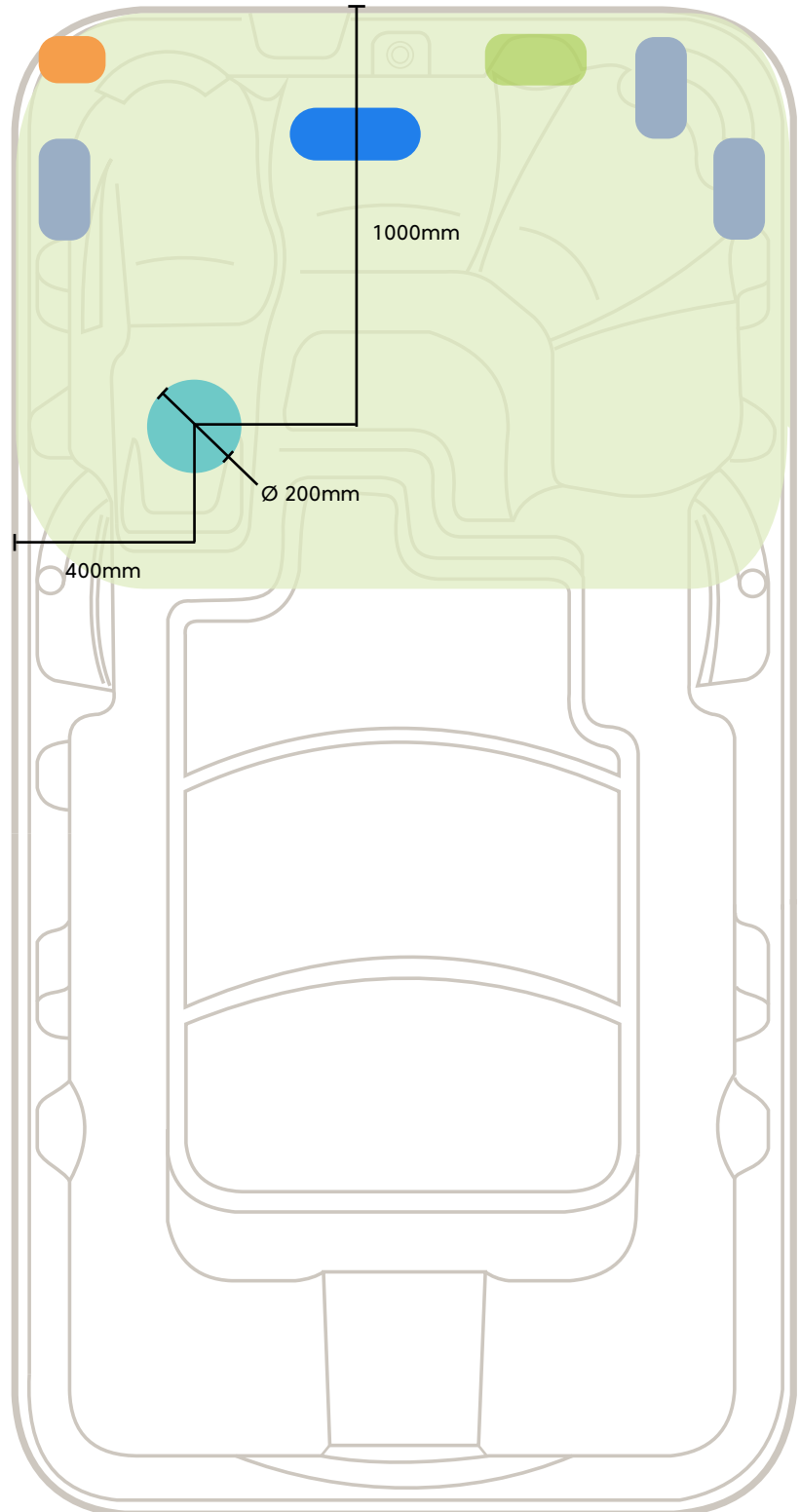
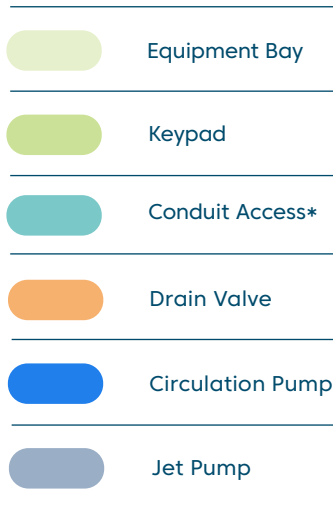
		Plunge™	Pro™	Pro Plus™	Extreme™
Water capacity					
Aquagym Max™	1.3m	6,356L	6,356L	6,356L	6,356L
Aquagym Max XD™	1.5m	7,075L	7,075L	7,075L	7,075L
Dry weight (Note: The optional ClearLift™ Cover adds 200Kgs to all weights)					
Aquagym Max™	1.3m	900kg	958kg	1,105kg	1,150kg
Aquagym Max XD™	1.5m	1,050kg	1,135kg	1,185kg	1,215kg
Filled weight (incl cover) (Note: The optional ClearLift™ Cover adds 200Kgs to all weights)					
Aquagym Max™	1.3m	7,075kg	7,133kg	7,280kg	7,325kg
Aquagym Max XD™	1.5m	8,839kg	8,924kg	8,974kg	9,004kg
Lift weight** (Note: The optional ClearLift™ Cover adds 200Kgs to all weights)					
Aquagym Max™	1.3m	1,550kg**	1,550kg**	1,550kg**	1,550kg**
Aquagym Max XD™	1.5m	1,650kg**	1,650kg**	1,650kg**	1,650kg**
Intuitive spa controller		SV3	SV3	SV3	SV4
Power cable length		Hardwired by a licensed electrician	Hardwired by a licensed electrician	Hardwired by a licensed electrician	Hardwired by a licensed electrician
Programmable circulation pump		1	1	1	1
Jet pumps		1	2	3	4
Variable speed air blower		1	1	1	1
Variable output heater		5.25kW	5.25kW	5.25kW	5.25kW
Recommended electrical supply		32 amps	32 amps	32 amps	40 amps

** The specified lift weights in the table above include the spa's dry weight, packaging, and hard cover. These are approximate weights and are intended as a guide only. All weights must be checked by the crane operator prior to the lift. (Cranes have the ability to check the weight).

* Conditions apply. Specifications may change without notice. Pictures may show options not available on all models.

Aquagym Max™

Equipment location



* Conduit should not stick above the concrete slab more than 100mm.

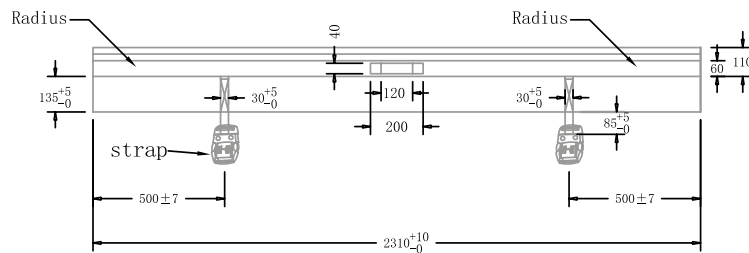
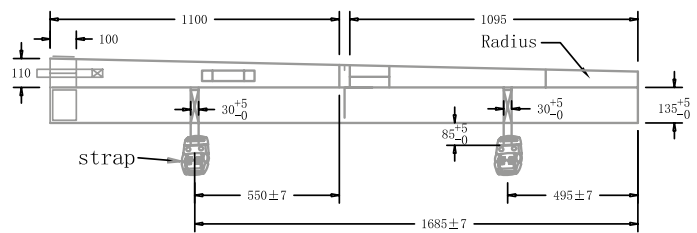
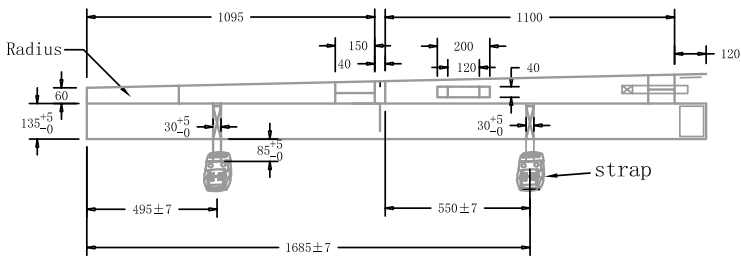
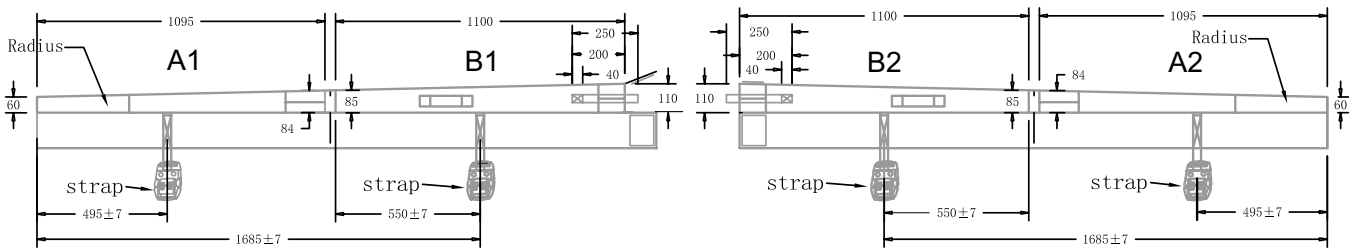
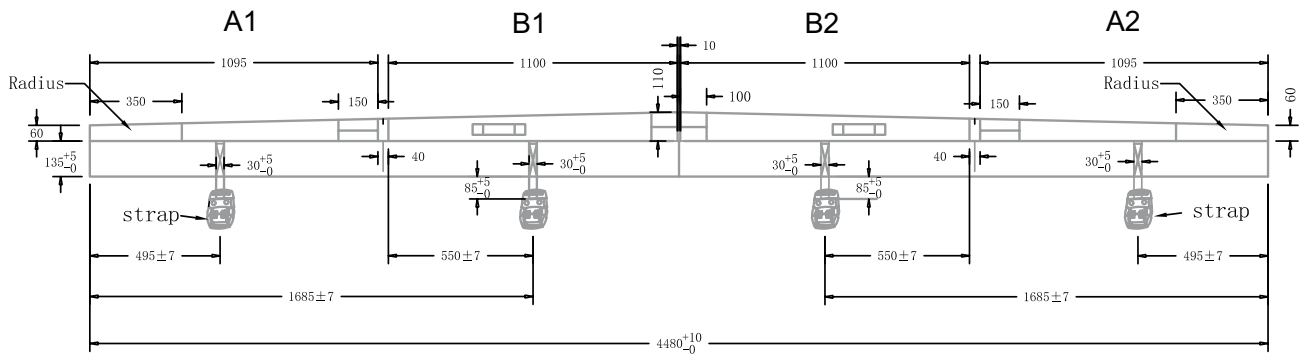
** Optional upgrade only included with the Vortex™ WiFi and Audio Kit.

Note: This model has a rigid base, and if you choose to bring the piping conduit in from the bottom through the base, you will need to cut a hole into the base on-site before installation. The factory does not provide this hole. Please see the diagram above to find the location where you can drill the hole.

Illustration shows Vortex Aquagym Max Pro Plus™ 1.3m swim spa model

Aquagym Max™

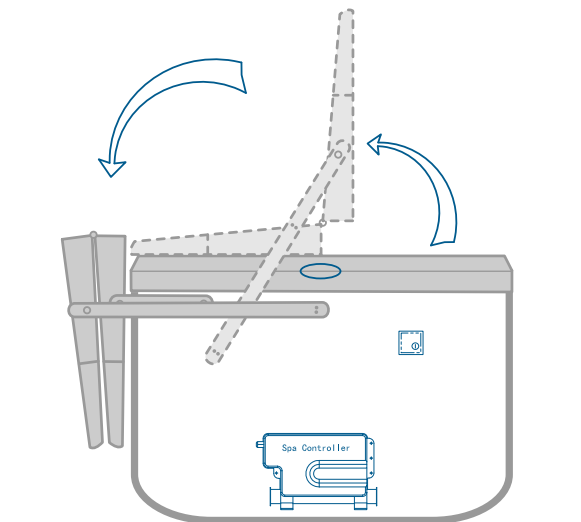
Standard Spa Cover



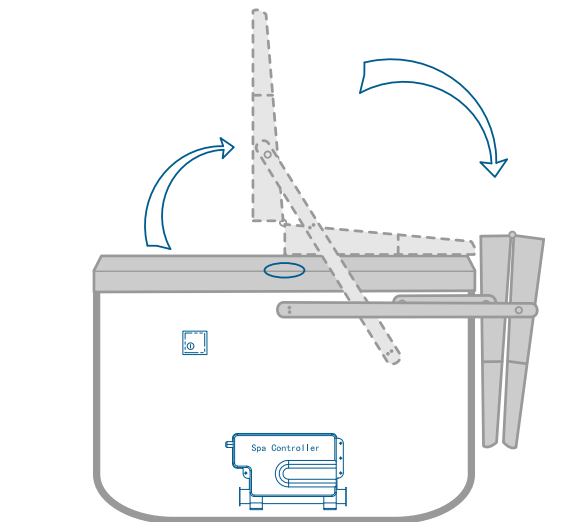
Aquagym Max™

Optional ClearLift™ cover

Left-mounted opening

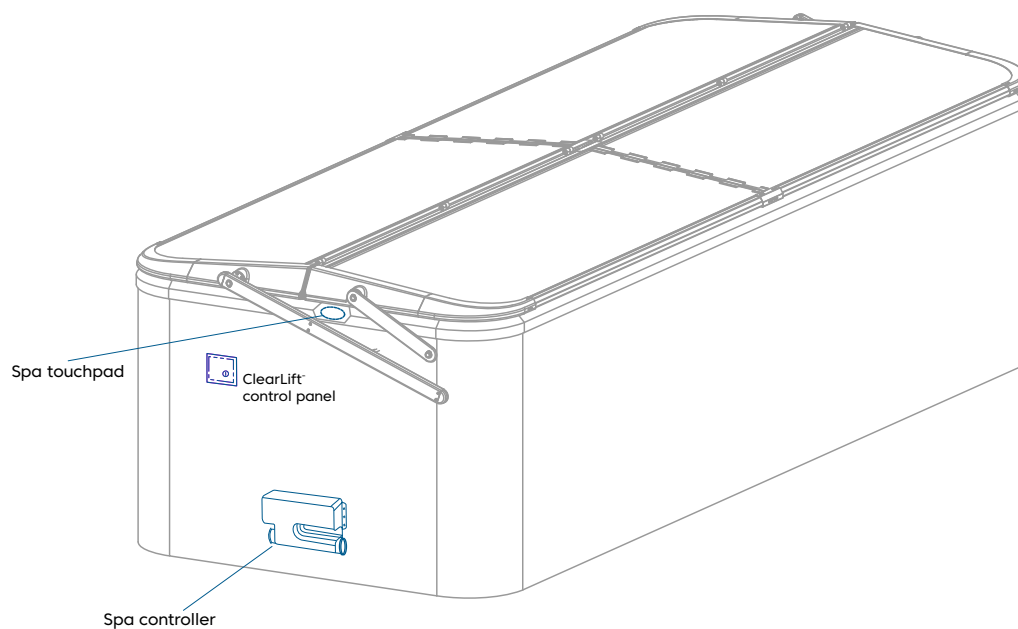


Right-mounted opening



If the ClearLift™ control panel is positioned on the right side of the swim spa, and the ClearLift™ cover folds to the left, it is considered a **Left-Mounted ClearLift™**.

Conversely, if the ClearLift™ control panel is located on the left side of the swim spa, and the ClearLift™ cover folds to the right, it is referred to as a **Right-Mounted ClearLift™**



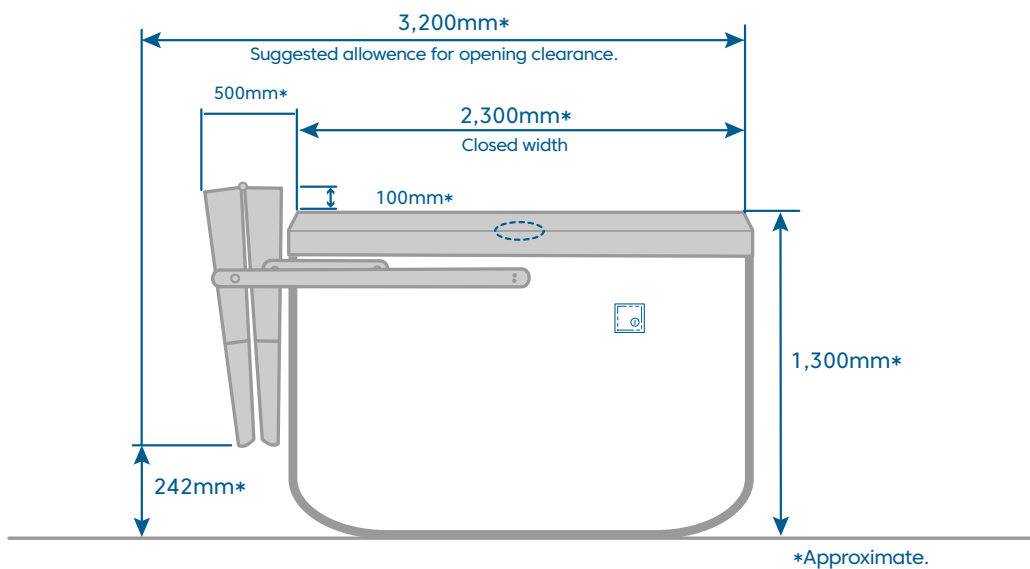
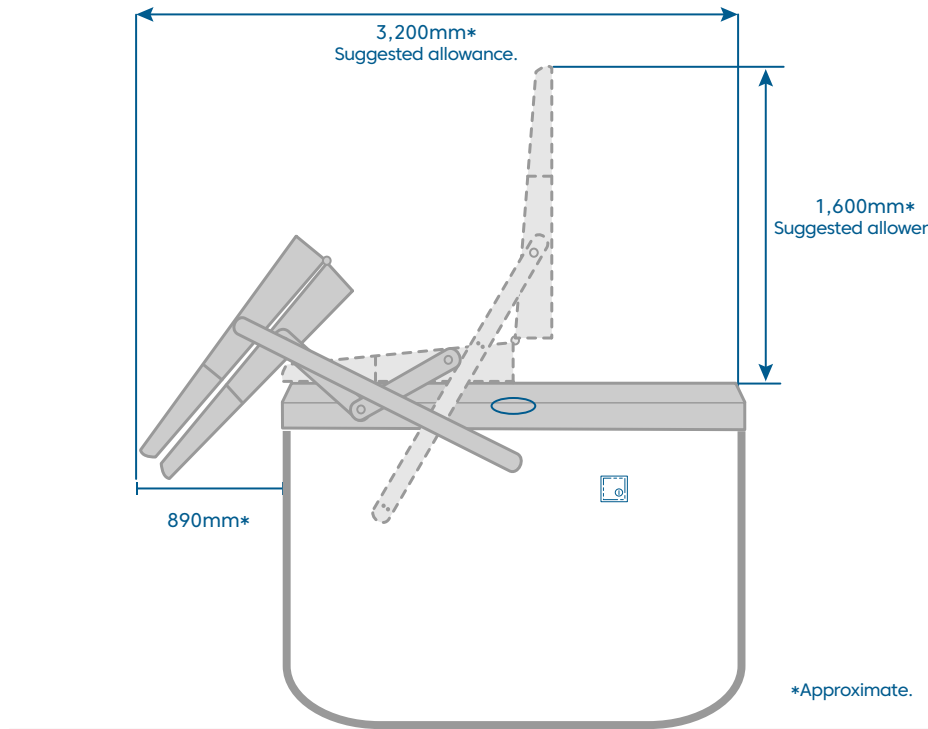
*The illustration shows Right-mounted opening, side angle view.

Note: The ClearLift™ control panel is installed at the same end as the swim spa controller keypad.

Aquagym Max™

Optional ClearLift™ cover opening allowance

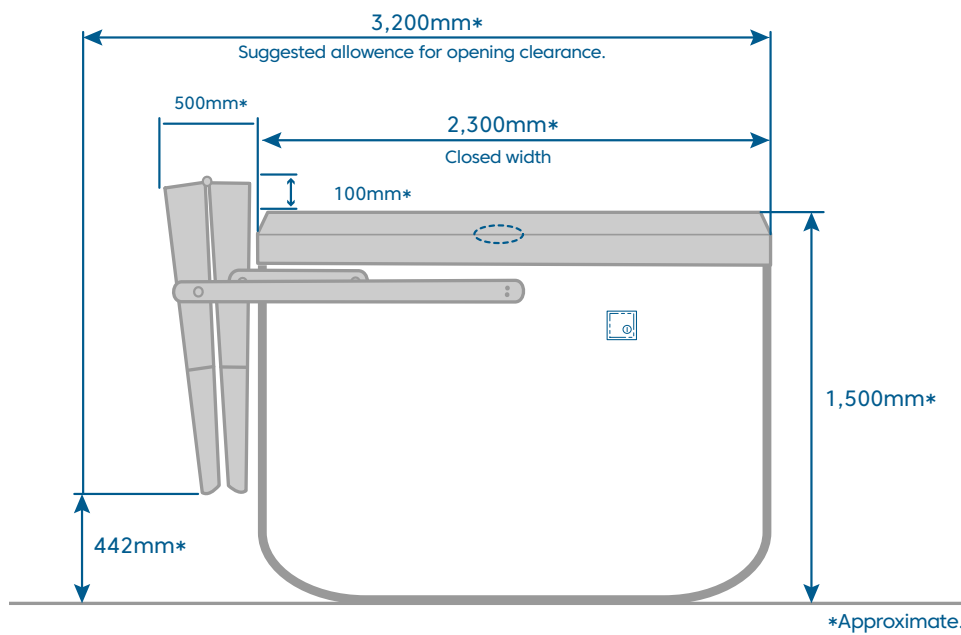
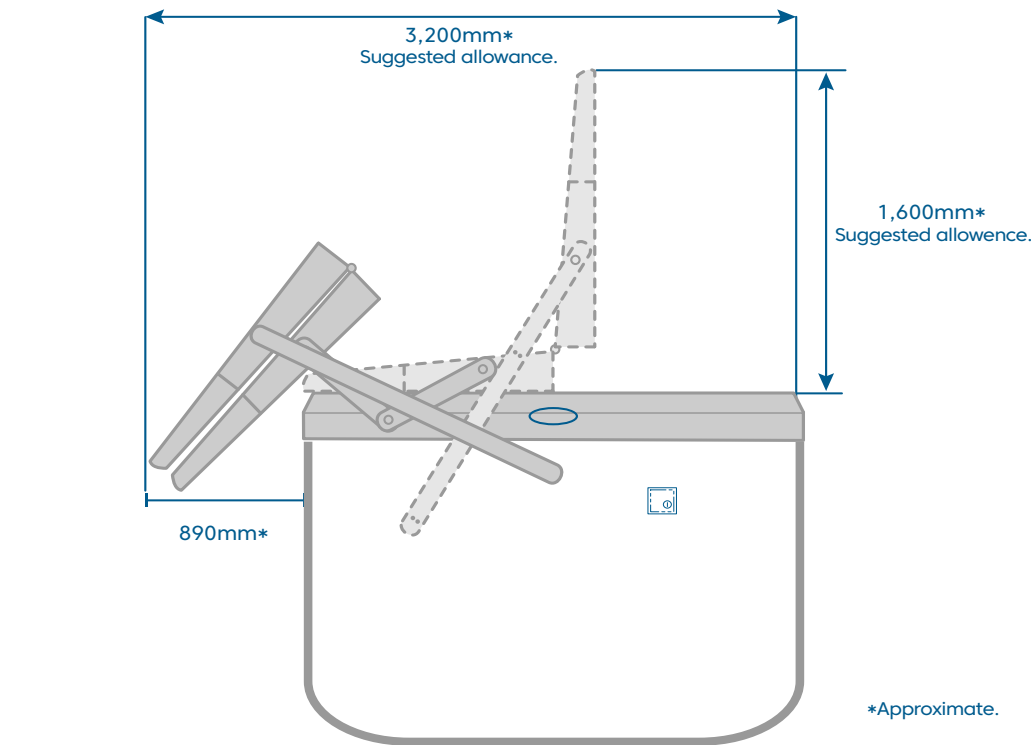
Left mount, side view shown in Vortex™ swim spas 1,300mm height.



Aquagym Max XD™

Optional ClearLift™ cover opening allowance

Left mount, side view shown in Vortex™ swim spas 1,500mm height.



Vortex Spas™ Limited Warranty

Vortex Leisure Pty Ltd owns the Vortex Spas™ brand

Lifetime warranty on Permaframe™ Frames

Vortex Leisure Pty Ltd warrants the structural integrity of the spa frame against defects in workmanship and materials for the lifetime of the spa subject to the limitations, conditions and exclusions expressed in this warranty.

10-year non pro rata structural warranty

Vortex Leisure Pty Ltd warrants the structure of the spa shell against defects in workmanship and materials leading to water loss from the spa for a period of 10 years from date of delivery subject to the limitations and conditions expressed in this warranty.

5-year acrylic warranty

Vortex Leisure Pty Ltd warrants against the loss of water through the acrylic surface of the spa shell for a period of 5 years from date of delivery, subject to limitations and conditions in this warranty.

5-year jet warranty

Vortex Leisure Pty Ltd warrants the removable spa jets to be free of manufacturing defects for a period of 5 years from date of delivery. This warranty excludes damage by grit, sand and improper water chemistry causing corrosion of the part and is limited to supply of replacement parts after the faulty part has been returned to Vortex Leisure Pty Ltd for warranty inspection. Leaking from jets is covered by the plumbing warranty. Laminar jets have a 1 year parts only warranty.

5-year heater warranty

Vortex Leisure Pty Ltd warrants the heater element against defects in materials and workmanship for a period of 5 years from date of delivery. After 1 year this warranty is limited to the supply of replacement parts and excludes labour and freight costs. This warranty does not cover damage to heaters caused by incorrect water balance resulting in the heater being subjected to abrasive/acid water.

5-year plumbing warranty

Vortex Leisure Pty Ltd warrants the plumbing piping and plumbing joints against defects in materials and workmanship causing leaking for a period of 5 years from date of delivery. After 1 year this warranty is limited to the supply of replacement parts and excludes all labor and freight costs.

2-year pump warranty

Vortex Leisure Pty Ltd warrants the water pumps against defects in materials and workmanship for a period of 2 years from date of delivery. After 1 year this warranty is limited to the supply of replacement parts and excludes all labour and freight costs. Damage to the pump motor caused by incorrect chemical balance will not be covered under this warranty. Vortex Leisure Pty Ltd reserves the right to request that the pump be returned for assessment before it is replaced under this warranty.

2-year electronic components warranty

Vortex Leisure Pty Ltd warrants electronic control systems against defects in materials and workmanship for a period of 2 years from date of delivery. After 1 year the warranty is limited to the supply of replacement parts after the product has been assessed by either Vortex Leisure Pty Ltd or the relevant control system manufacturer.

1-year air blower warranty

Vortex Leisure Pty Ltd warrants the air blower against defects in materials and workmanship for a period of 1 year. This warranty will become void if the blower damage is caused by overfilling.

1-year thermoclad cabinet warranty

Vortex Leisure Pty Ltd warrants the thermoclad spa cabinet against defects in materials and workmanship for a period of 1 year from date of delivery. This warranty specifically covers the structural integrity of the cabinet. The thermoclad cabinet finish is warranted to be free from defects in materials and workmanship at the time of initial delivery. Fading and weathering of the surface will occur naturally over time, and are not considered defects.

1-year Wifi, audio system, ozone, UV, LED light(s) warranty

Vortex Leisure Pty Ltd warrants the factory installed Wifi, audio system, UV sanitiser, Ozone sanitiser and LED Light(s) assemblies, to be free from defects in materials and workmanship for 1 year. The UV globe is a parts only warranty, if it fails within the 1 year period, a replacement globe will be sent out free of charge to be installed by the customer.

1-year external heat pump warranty

Vortex Leisure Pty Ltd warrants the External Heat Pump to be free from defects in materials and workmanship for 1 year. Installation is to be carried out by a qualified contractor. Failure to do so will immediately VOID this warranty. Vortex Leisure Pty Ltd reserves the right to request the return of the heat pump for assessment before it is replaced or repaired.

1-year spa hardcover warranty

Your Spa Cover is warranted for a period of 1 Year from the date of delivery. This warranty applies only to the structural integrity of the cover and the vinyl. Damage caused to stitching, straps or locks due to improper use of the cover will not be covered under warranty. Disposal of any cover replaced under warranty will be the owners responsibility.

2-year IKON™ deck warranty

Vortex Leisure Pty Ltd warrants the IKON™ Deck against defects in materials and workmanship for a period of 2 year from date of delivery. The Deck is warranted to be free from defects in materials and workmanship at the time of initial delivery. Fading and weathering of the surface will occur naturally over time, and are not considered defects.

ClearLift™ standard warranty

The ClearLift™ is an upgrade available on select Vortex™ Swim Spa models. If you have purchased the ClearLift™ upgrade the below supersedes the standard 1-year spa hardcover warranty. Your ClearLift™ components are warranted from the date of delivery for the following terms.

ClearLift™ electrical components:

SpaNet™ cover controller, transformer and actuators, are covered for 1-year parts and labour and parts only for the second year.

ClearLift™ cover foam:

One year parts and labour and parts only for the second year.

5-year ClearLift™ cover frame and mechanical components warranty:

Two years parts and labour and parts only for the following three years. Damage caused to stitching, straps or locks due to improper use of the cover will not be covered under warranty. Disposal of any cover replaced under warranty will be the owners responsibility.

Warranty coverage

Warranty coverage begins at the delivery date. Vortex Leisure Pty Ltd only extends this warranty to the original purchaser and only if the spa has been purchased through an authorized Vortex Leisure Pty Ltd reseller. Written notice of the defect and proof of purchase must be provided to Vortex Leisure Pty Ltd or it's nominated representative within 14 days of the defect occurring. If the spa is required to be returned to Vortex Leisure Pty Ltd for rectification all freight costs shall be pre paid by the customer. Repair or replacement of any defective product is at the sole discretion of Vortex Leisure Pty Ltd. To action warranty service contact the authorized Vortex Leisure Pty Ltd reseller you purchased from. If you are unable to obtain satisfactory service from your reseller, written notification must be provided to Vortex Leisure Pty Ltd within 14 days of the defect occurring. Vortex Leisure Pty Ltd will pay the travel costs of the service agent for the first 50km from their base. Any further travel charges shall be the responsibility of the spa owner.

Electrical connection

All electrical connections must be carried out by a qualified electrical contractor. Failure to do so will immediately VOID this warranty. The spa must be connected to a dedicated MAINS electrical supply circuit protected by a compliant earth leakage circuit breaker safety switch.

Vortex Leisure Pty Ltd reserves the right to ask for proof that the spa has been installed by a qualified electrician.

You must check and tighten all barrel unions regularly. Failure to do so may affect your warranty.
See your user manual for further information.

Vortex Spas™ Limited Warranty

Vortex Leisure Pty Ltd owns the Vortex Spas™ brand

Warranty exclusions

1. Damage resulting from improper water maintenance.
2. Damage from operating the spa above 45°C.
3. Damage caused by clogged filters
4. Damage caused to the spa by improper use of spa cover and excessive exposure to sunlight.
5. Acts of God.
6. Damage caused by not installing spa on sufficient hard level surface.
7. Damage caused by incorrect electrical installation, brownouts, voltage spikes or operating spa out of +/- 10% of voltage range.
8. Warranty is not extended to filter cartridges, head rests, pump seals or drain hoses.
9. Commercial use reduces all warranties to maximum 6 months.
10. Damage caused by relocation of the spa from its original installed location.
11. Damage by termites, borer or other pests.
12. Damage caused by flooding.
13. Damage caused by third party carriers.
14. Damage or corrosion.
15. Damage caused by the operation of ClearLift™ cover lifter during high wind.
16. Damage caused by the operation of ClearLift™ cover lifter due to excessive load such as heavy snow.
17. Damage caused by the operation of ClearLift™ cover lifter due to closing it on a foreign object.

Limitations

This warranty is the only warranty offered by Vortex Leisure Pty Ltd and excludes any other implied or oral undertakings. Except as described above, this warranty does not cover defects or damage due to normal wear and tear, improper installation, alteration without Vortex Leisure Pty Ltd's prior written consent, accident, acts of God, misuse, abuse, commercial or industrial use, use of an accessory not approved by Vortex Leisure Pty Ltd, failure to follow Vortex Spas™ Pre-Delivery Instructions or Owner's Manual, or repairs made or attempted by anyone other than an authorized representative of Vortex Leisure Pty Ltd. Vortex Leisure Pty Ltd or its agents will not be liable for any incidental or consequential loss or injury. Vortex Leisure Pty Ltd will not be liable for costs associated with but not limited to building alterations, removal costs, delivery costs or labour costs associated with the replacement of a spa.

You must check and tighten all barrel unions regularly. Failure to do so may affect your warranty.
See your user manual for further information.



VortexTM
Spas