

OX LINE

cmatic[®]
P N E U M A T I C F I T T I N G S

316L 不锈钢卡套接头
316L Stainless Steel Compression Fittings



OX系列卡套接头，材质为AISI 316L (1.4404) 不锈钢，可以与不锈钢管路连接。
管路连接简单，不需要使用润滑脂，可以保证食品级产品的特征。
本体，卡箍，螺母的生产制造均符合ISO8434/DIN 2353标准的要求。



The OX Fittings are completely made in AISI 316L (1.4404) and they are suitable for assembly with stainless steel pipes. The pipe connection is easy and needs no grease, allowing thereby to keep the food grade degree of the product. The olive seat, the olives and the nuts are all manufactured according to ISO8434/DIN 2353 norm.

OX

1	2	3
本体 Body	螺母 Nut	卡箍 Olive
AISI 316L不锈钢(1.4404) Stainless Steel AISI 316L (1.4404)	AISI 316L不锈钢(1.4404) Stainless Steel AISI 316L (1.4404)	AISI 316L不锈钢(1.4404) Stainless Steel AISI 316L (1.4404)



-40°C - 250°C



最大80 bar



	R1/8	R1/4	R3/8	R1/2
4	•			
6	•	•		
8	•	•		
10		•	•	
12			•	•

技术规格

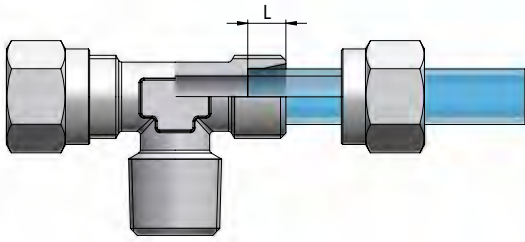
建议的连接管路：
符合DIN EN 10216-5规范的无缝不锈钢管路
可接受的管路公差：
根据DIN EN 10216-5规范

应用领域：
食品、制药和仪器仪表行业。

DATA SHEET

Recommended pipes :
Seamless Stainless steel pipes according to the DIN EN 10216-5 Norm
Acceptable hoses tolerances:
According to DIN EN 10216-5

Application fields:
Food and Pharma industry and instrumentation



管径 \varnothing_e	L
4	4
6	5.5
8	5.5
10	7
12	7

管路准备和提示

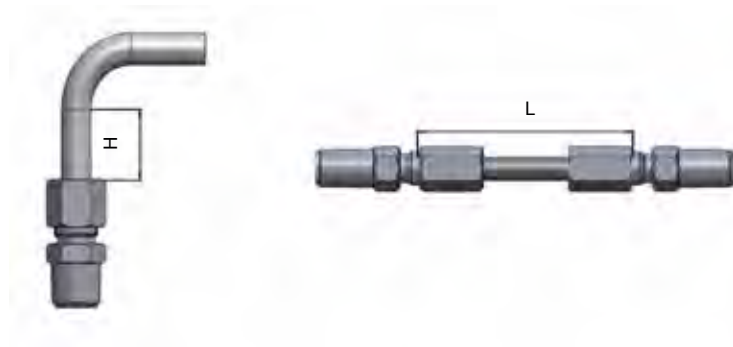
两个相邻接头间的距离L，至少应为螺母长度的2.5-3倍。如果要连接弯管，请确保弯管端长度H至少为2倍的螺母长度。L与H，可参看下方图示。

管路
拆装后，如果要重新连接同一接头，需要确保管端位置与之前一样。

PIPE PREPARATION AND WARNINGS

The min. pipe length "L" between two fitting has to be at least 2.5-3 times the nut height. To connect a curved pipe, make sure the pipe curve be at least at a distance "H" equaling twice the nut height.

Pipe
If disassembled, the pipe endings have to be re-assembled in the same fitting shoulder as previously used. To cut the tube, DO NOT use a pipe cutter but a saw that allows for a square cut and limits burrs.



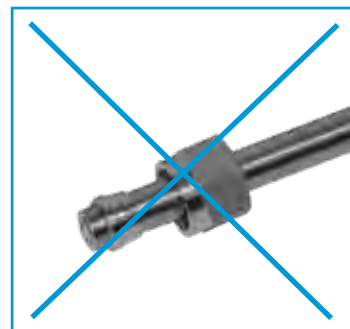
管径 \varnothing	$\varnothing 4$	$\varnothing 6$	$\varnothing 8$	$\varnothing 10$	$\varnothing 12$
H min.	22	23	24	31	31
L min.	33	34	36	46	46

安装说明

1. 垂直切割管路，截面最大允许偏差角度为0.5°
2. 清除管路内外壁毛刺，注意不要损坏管端
3. 将螺母和卡箍套在管子上，确保卡箍朝向管端
4. 将管路插入接头体，直到底部。同时确保接头体，管路，卡箍，螺母同轴
5. 用手完全拧紧螺母。

ASSEMBLY INSTRUCTIONS

1. Cut the pipe square. A 0.5° deviation to the pipe axis is allowed
2. Deburr the pipe internally and externally, making sure not to damage the pipe edge.
3. Slide the nut and the ferrule on the pipe. Make sure the ferrule cutting edge is facing the pipe ending.
4. Insert the pipe into the fitting against the shoulder. All components have to be in axis.
5. Tighten the nut manually all the way down.



Ø Tube 管径Ø	Nm
Ø 4	10
Ø 6	20
Ø 8	25
Ø 10	30
Ø 12	6

6. 借助扳手，根据所使用接头尺寸，拧紧 $\frac{3}{4}$ - 1圈左右，将螺母最后拧紧，确定管路不会随螺母一同旋转。建议使用扭矩扳手，参见表中指示的拧紧扭矩。

6. By means of a wrench, tighten the nut by $\frac{3}{4}$ - 1 turn depending upon the fitting size. Avoid any pipe rotation during this phase. For this purpose, it is recommended to use a torque wrench and to refer to the torque force stated in the chart above.

再次确认

7. 仅在检查时，拧松螺母并检查卡箍是否正确卡在管路上

DoubleCHECK

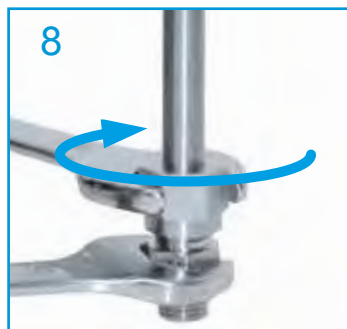
7. Loosen the nut and make sure that the ferrule has left an even groove on the pipe.

最终安装

8. 在第6点所示的拧紧基础上，将螺母再次拧紧1/4圈。

FINAL ASSEMBLY

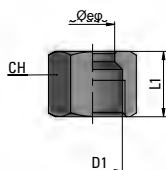
8. Tighten the nut by $\frac{1}{4}$ of a turn beyond the number of turns stated at point 6.



OX 10

螺母

Nut

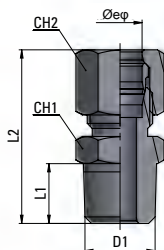


类型	管径Ø	D1	L1	CH	g $\Delta\Delta$
10 00 04	4	M8x1	11	10	4.3
10 00 06	6	M10x1	11.5	12	5.62
10 00 08	8	M12x1	12	14	7.1
10 00 10	10	M16x1.5	15.5	19	18.35
10 00 12	12	M18x1.5	15.5	22	25.78

OX 11

锥螺纹直管接头

Taper Straight, male

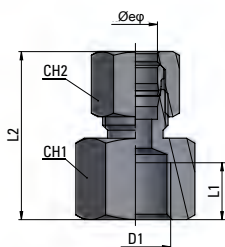


类型	管径Ø	D1	L1	L2	CH1	CH2	g $\Delta\Delta$
11 04 18	4	R1/8	8	27	10	10	12.93
11 06 18	6	R1/8	8	27	11	12	14.85
11 06 14	6	R1/4	11	31	14	12	23.96
11 08 18	8	R1/8	8	29	12	14	17.52
11 08 14	8	R1/4	11	32	14	14	25
11 10 14	10	R1/4	11	35.5	17	19	42.42
11 10 38	10	R3/8	11.5	37	17	19	51.19
11 12 38	12	R3/8	11.5	37	19	22	59.26
11 12 12	12	R1/2	14	40.5	22	22	81.12

OX 13

内螺纹直管接头

Female Straight

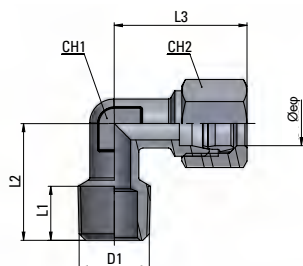


类型	管径Ø	D1	L1	L2	CH1	CH2	g $\Delta\Delta$
13 06 18	6	G1/8	8.5	28	14	12	20.53
13 08 14	8	G1/4	10.5	31	19	14	-
13 10 14	10	G1/4	10.5	34.5	19	19	-
13 10 38	10	G3/8	10.5	36.5	22	19	-
13 12 38	12	G3/8	10.5	36.5	22	22	-
13 12 12	12	G1/2	12.5	37.5	24	22	69.19

OX 14

锥外螺纹弯管接头

Taper Elbow Fitting, male

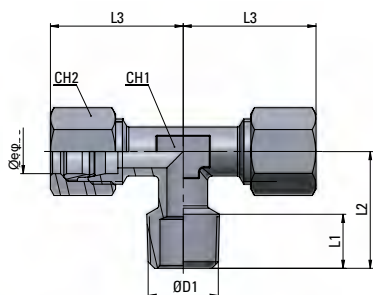


类型	管径Ø	D1	L1	L2	L3	CH1	CH2	g $\Delta\Delta$
14 04 18	4	R1/8	6.5	17	23	10	10	16.66
14 06 18	6	R1/8	6.5	17	24	10	12	19.17
14 06 14	6	R1/4	10	21.5	24	10	12	21.91
14 08 14	8	R1/4	10	21.5	24.5	10	14	23.06
14 10 14	10	R1/4	12.5	24.5	30.5	12	19	46.81
14 10 38	10	R3/8	11.5	24.5	30.5	12	19	49.82
14 12 38	12	R3/8	12.5	25.5	33	17	22	72.46
14 12 12	12	R1/2	13.5	30	35	19	22	91.15

OX 20

锥螺纹正T型三通接头

Taper Male Tee

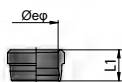


类型	管径Ø	D1	L1	L2	L3	CH1	CH2	g $\Delta\Delta$
20 04 18	4	R1/8	6.5	17	23	10	10	25.28
20 06 18	6	R1/8	6.5	17	24	10	12	29.63
20 06 14	6	R1/4	10	21.5	24	10	12	32.73
20 08 14	8	R1/4	10	21.5	24.5	10	14	35.07
20 10 14	10	R1/4	12.5	24.5	30.5	12	19	72.59
20 10 38	10	R3/8	11.5	24.5	30.5	12	19	76.93
20 12 38	12	R3/8	12.5	25.5	33	17	22	117.11
20 12 12	12	R1/2	13.5	30	33	19	22	126.19

OX 22

卡箍

Olive

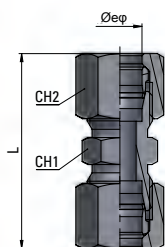


类型	管径Ø	L1	g $\Delta\Delta$
22 00 04	4	5.5	0.34
22 00 06	6	6	0.81
22 00 08	8	5.7	1
22 00 10	10	8	2.22
22 00 12	12	8	2.52

OX 26

对接接头

Union

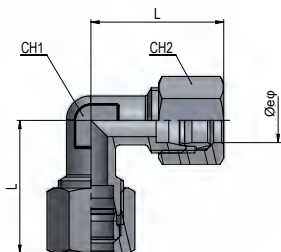


类型	管径Ø	L1	CH1	CH2	g $\Delta\Delta$
26 04 04	4	34	9	10	14.9
26 06 06	6	34	11	12	20.6
26 08 08	8	36	12	14	26.51
26 10 10	10	45	17	19	66.43
26 12 12	12	45	19	22	-

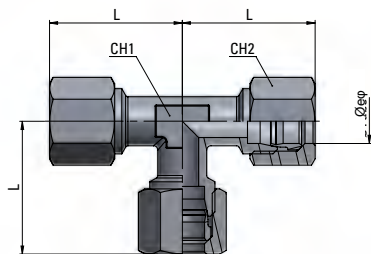
OX 28

直角对接接头

Union Elbow



类型	管径Ø	L1	CH1	CH2	g $\Delta\Delta$
28 04 04	4	23	10	10	21.51
28 06 06	6	24	10	12	25.32
28 08 08	8	24.5	10	14	28.29
28 10 10	10	30.5	12	19	65.97
28 12 12	12	33	17	22	99.2



类型	管径Ø	L1	CH1	CH2	g Δ
29 04 04	4	23	10	10	30.21
29 06 06	6	24	10	12	36.19
29 08 08	8	24.5	10	14	40.86
29 10 10	10	30.5	12	19	94.12
29 12 12	12	33	17	22	143