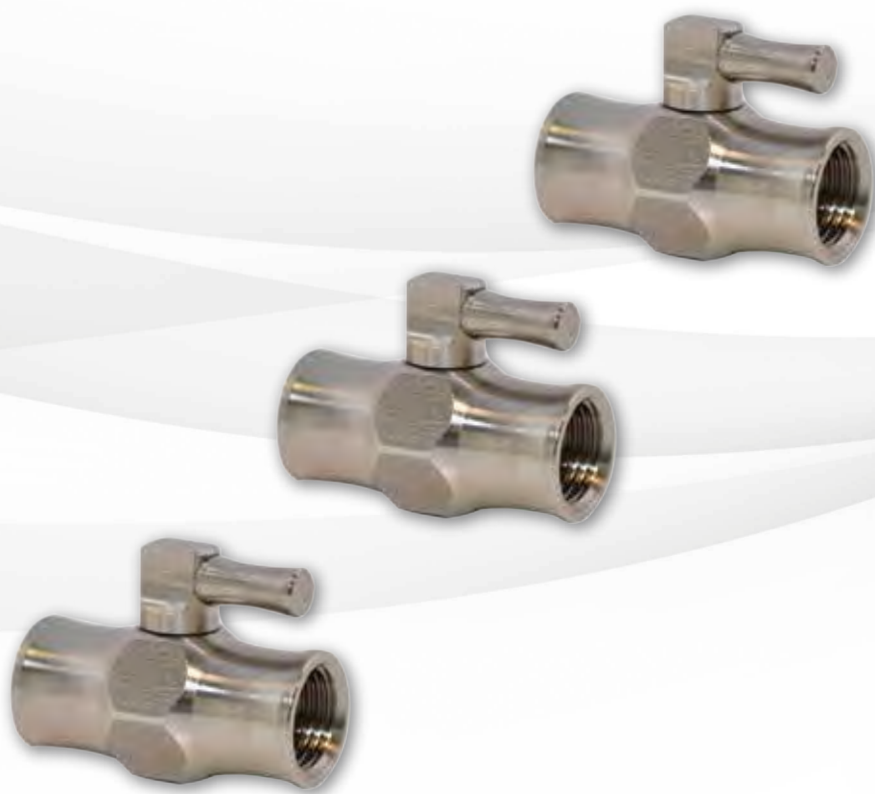


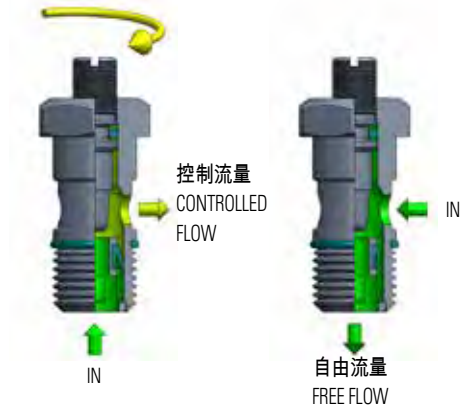
VX LINE

cmatic[®]
P N E U M A T I C F I T T I N G S

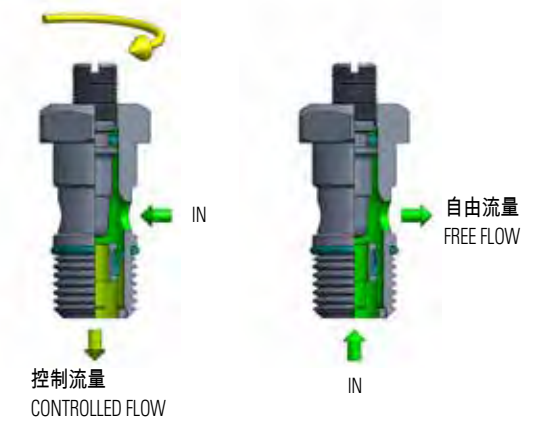
316L 不锈钢功能接头
316L Stainless Steel Function Fittings



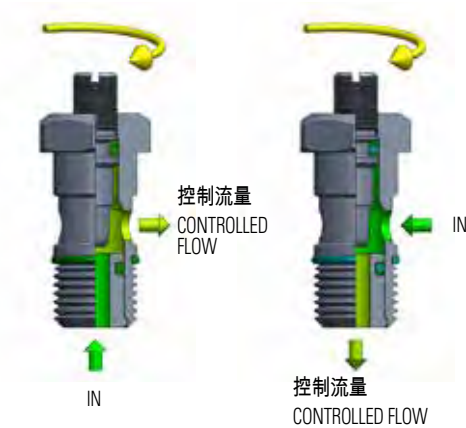
.../C = 排气节流
Meter out flow control



.../V = 进气节流
Meter in flow control



.../B = 双向流量调节
Bidirectional flow control



节流阀用于调节气路中流量，根据应用类型，可以分为双向节流阀和单向节流阀。其中单向节流阀非常适合进行气缸速度的调节。

They can adjust the flow in a pneumatic circuit. Depending on the flow control used, the setting can be made both ways (Bidirectional Flow Control), or just one way (Unidirectional Flow Control). The Unidirectional Flow Control is particularly used to adjust the speed of pneumatic cylinders.

1	2	3	4	5
本体 Body	针阀 Needle	套筒 Cartridge	密封圈 Seals	垫圈 Gasket
AISI 316L不锈钢(1.4404) Stainless Steel AISI 316L (1.4404)			FPM FPM	PTFE PTFE



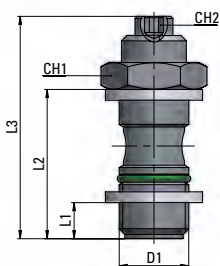
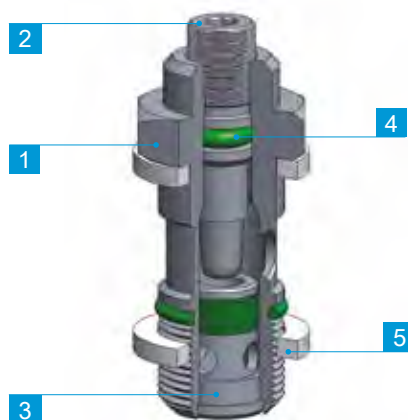
-0°C - 150°C



0 - 10 bar



Certified to
NSF/ANSI 169



类型	D1	L1	L2	L3最大	CH1	CH2	g Δ
15 00 18	G1/8	5.5	25	36	14	2.5	17
15 00 14	G1/4	6.5	27.5	42	17	3	32.1

可用版本 :

.../C



.../V



.../B



技术规格

建议的连接管路：
取决于与节流阀相连的接头类型。

应用领域：
空气经过过滤和润滑处理的气动系统。

DATA SHEET

Recommended tubings:
according to the fitting connected to the flow control.

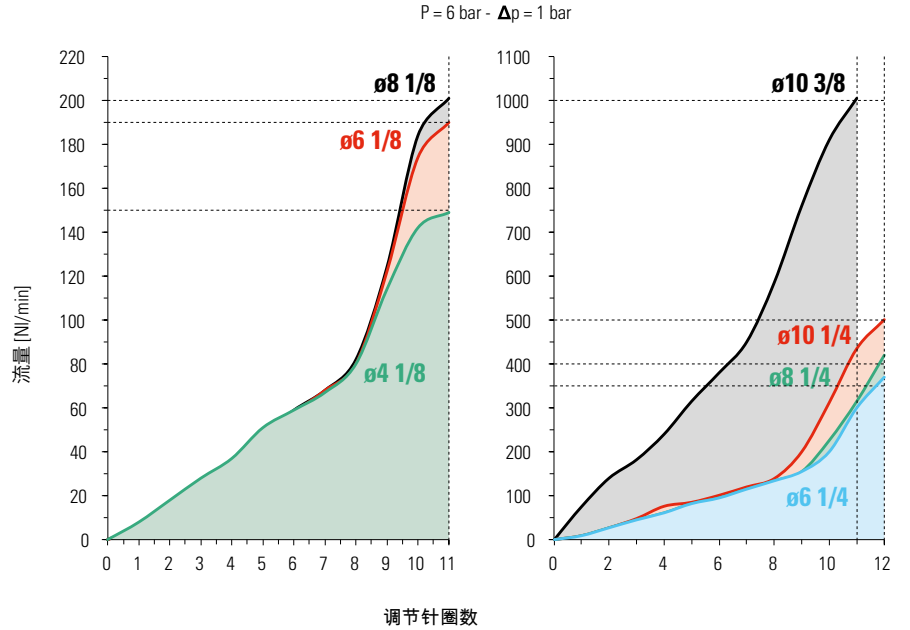
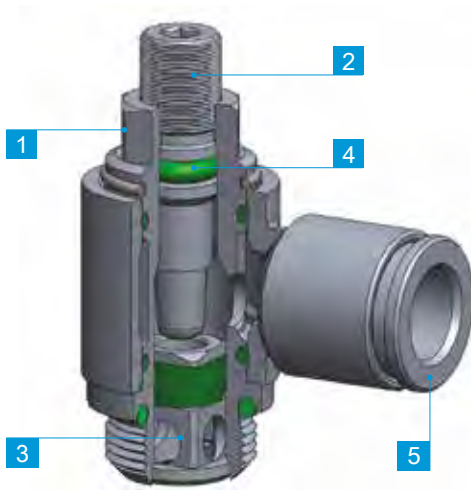
Application field:
pneumatic installations fed with filtered, lubricated air.

VX 18

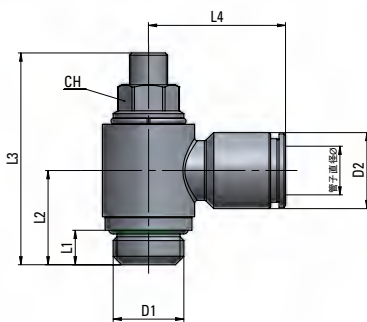
可调向快插式节流阀

Flow Control with Swivelling Push-in Fitting

1	2	3	4	5
本体 Body	针阀 Needle	套筒 Cartridge	密封圈 Seals	环 Banjo Ring
AISI 316L 不锈钢(1.4404) Stainless Steel AISI 316L (1.4404)			FPM FPM	MX系列快插接头 MX line push-in fittings



节流阀安装后，管路可调向。
The banjo ring swivels also after flow control installation.



类型	管径 \varnothing_e	D1	D2	L1	L2	L3 最大	L4	CH	g Δ
18 04 18	4	G1/8	9	5	15.5	32	19.5	9	29
18 06 18	6	G1/8	12	5	15.5	32	22	9	27
18 06 14	6	G1/4	12	6.5	17.5	40	23.5	10	49
18 08 18	8	G1/8	14	5	15.5	32	22.5	9	31
18 08 14	8	G1/4	14	6.5	17.5	40	24	10	49
18 10 14	10	G1/4	16	6.5	17.5	40	26.5	10	53
18 10 38	10	G3/8	16	9	22	52	28	14	86

可用版本：

.../C



.../V



.../B



技术规格

建议的连接管路：
PVDF管，PTFE管。

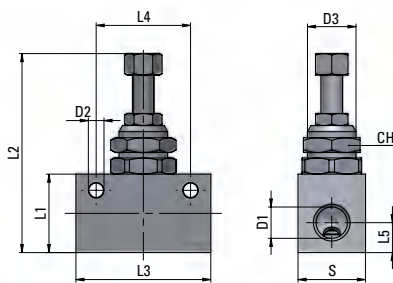
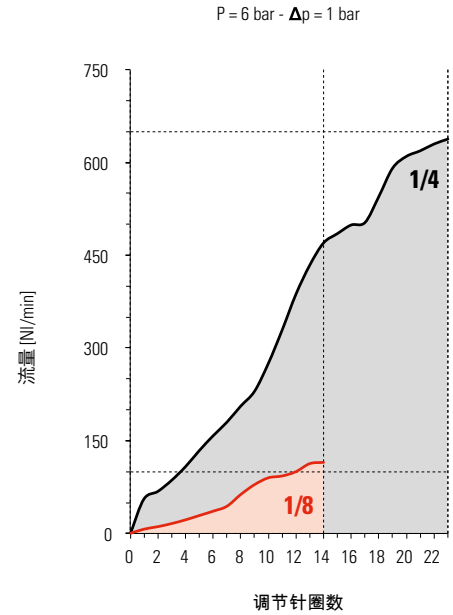
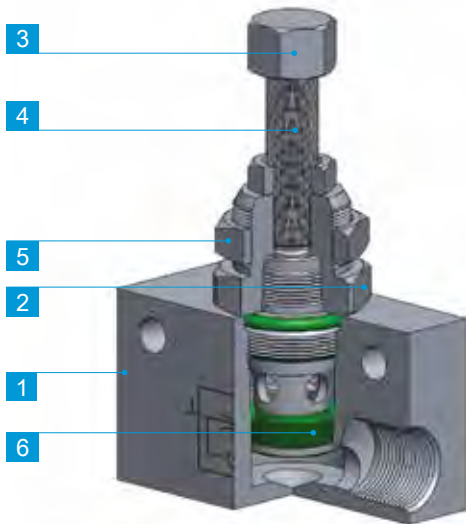
应用领域：
空气经过过滤和润滑处理的气动系统。

DATA SHEET

Recommended tubings:
PVDF and PTFE tubings.

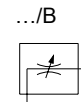
Application field:
pneumatic installations fed with filtered, lubricated air.

	1	2	3	4	5	6
本体 Body	针阀 Needle valve	旋钮 Handwheel	针阀 Needle	螺母 Nut	密封圈 Seals	
AISI 316L不锈钢(1.4404) Stainless Steel AISI 316L (1.4404)						FPM FPM



类型	D1	D2	D3	L1	L3 最大	L3	L4	L5	S	CH	g ΔΔ
21 00 18	G1/8	4.5	M12x0.75	20	56	34	24	7.5	15	14	72.5
21 00 14	G1/4	5.5	M18x1	30	75	50	35	12	25	22	281.4

可用版本 :



技术规格

建议的连接管路：
取决于与节流阀相连的接头类型。

应用领域：
空气经过过滤和润滑处理的气动系统。

DATA SHEET

Recommended tubings:
according to the fitting connected to the flow control.

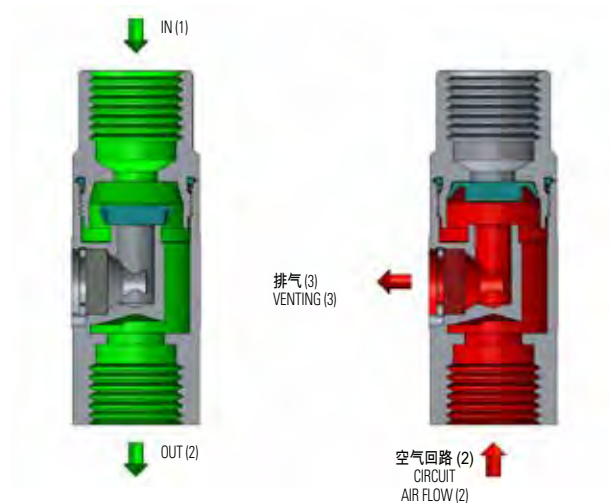
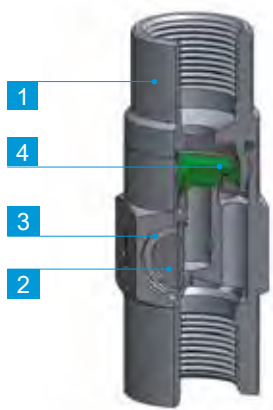
Application field:
pneumatic installations fed with filtered, lubricated air.

VX 22

不锈钢快排阀

Stainless Steel Quick Exhaust Valve

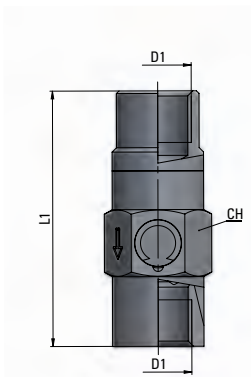
1	2	3	4
本体 Body	消声器 Muffler	Seeger	密封圈 Seals
AISI 316L 不锈钢(1.4404) Stainless Steel AISI 316L (1.4404)	AISI 316 不锈钢 Stainless Steel AISI 316	镀锌钢 Zinc plated steel	FPM FPM



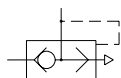
6 bar时流量
Flow rate at 6 bar

IN OUT
1g2
OUT VENT
2g3

1/4	1050 NL/min	660 NL/min
3/8	3000 NL/min	1900 NL/min
1/2	3420 NL/min	2280 NL/min



类型	D1	L1	CH	g Δ
22 00 14	G1/4	50	18	51.5
22 00 38	G3/8	61	27	133.1
22 00 12	G1/2	69	35	257



断开供应时阀门能够迅速排出回路中空气；如果用于气缸，则可提高速度。

This valve can easily vent the circuit in case of an air supply failure. If assembled on the cylinder port, it increases the cylinder speed.

技术规格

建议的连接管路：
取决于与阀相连的接头类型。

应用领域：
空气经过过滤和润滑处理的气动系统。

DATA SHEET

Recommended tubings:
according to the fitting connected to the valve.

Application field:
pneumatic installations fed with filtered, lubricated air.

1	2	3	4
本体 Body	阀体 Valve	密封圈 Seals	弹簧 Spring
AISI 316L不锈钢(1.4404) Stainless Steel AISI 316L (1.4404)		FPM FPM	AISI 302不锈钢 Stainless Steel AISI 302



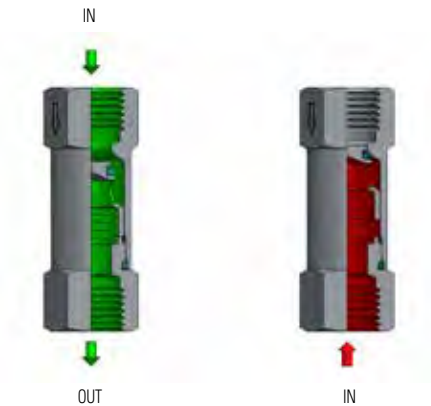
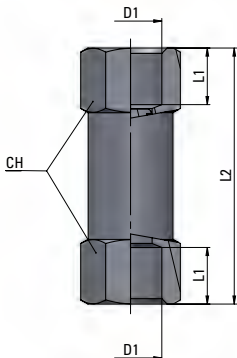
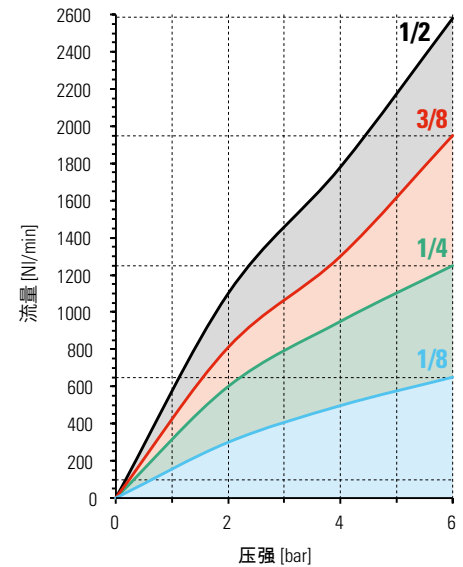
-10°C - 150°C



2 - 10 bar



0.2 bar

Certified to
NSF/ANSI 169P = 6 bar - $\Delta p = 1$ bar

类型	D1	L1	L2	CH	g Δ
23 00 18	G1/8	8	40	13	26
23 00 14	G1/4	9	48	16	38.1
23 00 38	G3/8	10.5	51	21	78.6
23 00 12	G1/2	12.5	62	24	123

这些阀允许空气沿（阀体上的箭头指示）方向通过，反向截止

The flow is allowed only in one way (the arrow direction engraved on the body) and stopped in the reverse way.

技术规格

建议的连接管路：
取决于与阀相连的接头类型。

DATA SHEET

Recommended tubings:
according to the fitting connected to the valve.

应用领域：
空气经过过滤和润滑处理的气动系统。

Application field:
pneumatic installations fed with filtered, lubricated air.

本体
Body

消声器
Muffler



VX11-FE

AISI 304不锈钢
Stainless Steel AISI 304

AISI 304不锈钢
Stainless Steel AISI 304

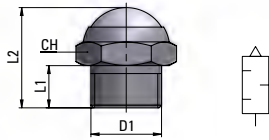
-10 - 150 °C

0 - 12 bar

VX 11-FE


不锈钢消音器

Air Muffler with stainless steel wire

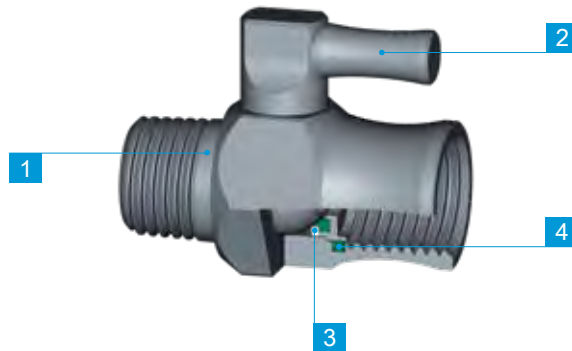


类型	D1	L1	L2	CH	g Δ
11 00 18-FE	G1/8	6	15	13	6
11 00 14-FE	G1/4	7	18	16	10
11 00 38-FE	G3/8	8	20	19	16
11 00 12-FE	G1/2	10	22	24	25

	1	2	3	4
VX24- VX25	本体 Body	手柄 Handle	垫圈 Gasket	密封圈 Seals
	AISI 316L不锈钢(1.4404) Stainless Steel AISI 316L (1.4404)		PTFE PTFE	FPM FPM

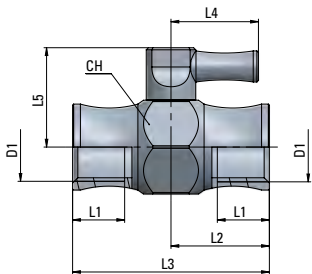
1/8	6 mm
1/4	6 mm
3/8	8 mm
1/2	10 mm



VX 24

双通手动阀，内螺纹-内螺纹

2 Way Manual Valve, female

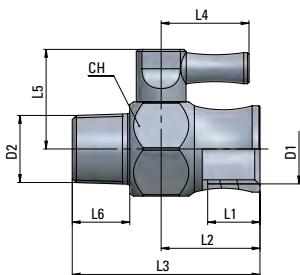


类型	D1	L1	L2	L3	L4	L5	CH	g ΔΔ
24 00 18	G1/8	8	19	38	17	19	18	-
24 00 14	G1/4	9	19	38	17	19	18	-
24 00 38	G3/8	10	24.5	49	24.5	26	18	-
24 00 12	G1/2	11	28.5	57	24.5	28	23	-

VX 25

双通手动阀，外螺纹-内螺纹

2 Way Manual Valve, male-female



类型	D1	D2	L1	L2	L3	L4	L5	L6	CH	g ΔΔ
25 00 18	G1/8	R1/8	8	19	33	17	19	7.5	18	-
25 00 14	G1/4	R1/4	9	19	36	17	19	11	18	-
25 00 38	G3/8	R3/8	10	24.5	48	24.5	26	11.5	18	-
25 00 12	G1/2	R1/2	11	28.5	55.5	24.5	28	14	23	-