

CO LINE



CN

多路接头

多路接头是一种由固定部件与活动部件组成的气动连接装置：固定部件连接至气动设备控制系统，活动部件则安装在空气分配设备上。该连接器最大优势在于能快速安全地插拔4至24根多管束软管。产品采用防反向组装设计，确保两部分无法错误对接。本系列提供两种选项：配备刚性外壳的CO-A型（多种尺寸可选）与采用穿板连接的CO-B型。

EN

Multiple Connectors

The multiple connector is a device made of a fixed part connected to the control device of pneumatic powered machines and a mobile part, assembled to the air distribution equipment. The big advantage offered by the multiple connector is that a bundle of hoses, varying from min 4 to max 24 tubes, can be rapidly and safely connected and disconnected. Our multiple connector is manufactured in such a way that the reverse assembly of the two parts is not possible. This range offers two options: one with rigid shell (CO-A), available in different sizes and the one as a bulkhead connection (CO-B).

带保护盒多路接头

Multiple connectors, rigid shell

- 1** 多路接头外壳
Multiple connector sheath

PARA (Ixef® 1022)
PARA (Ixef® 1022)
- 2** 接头基座
Couplings support

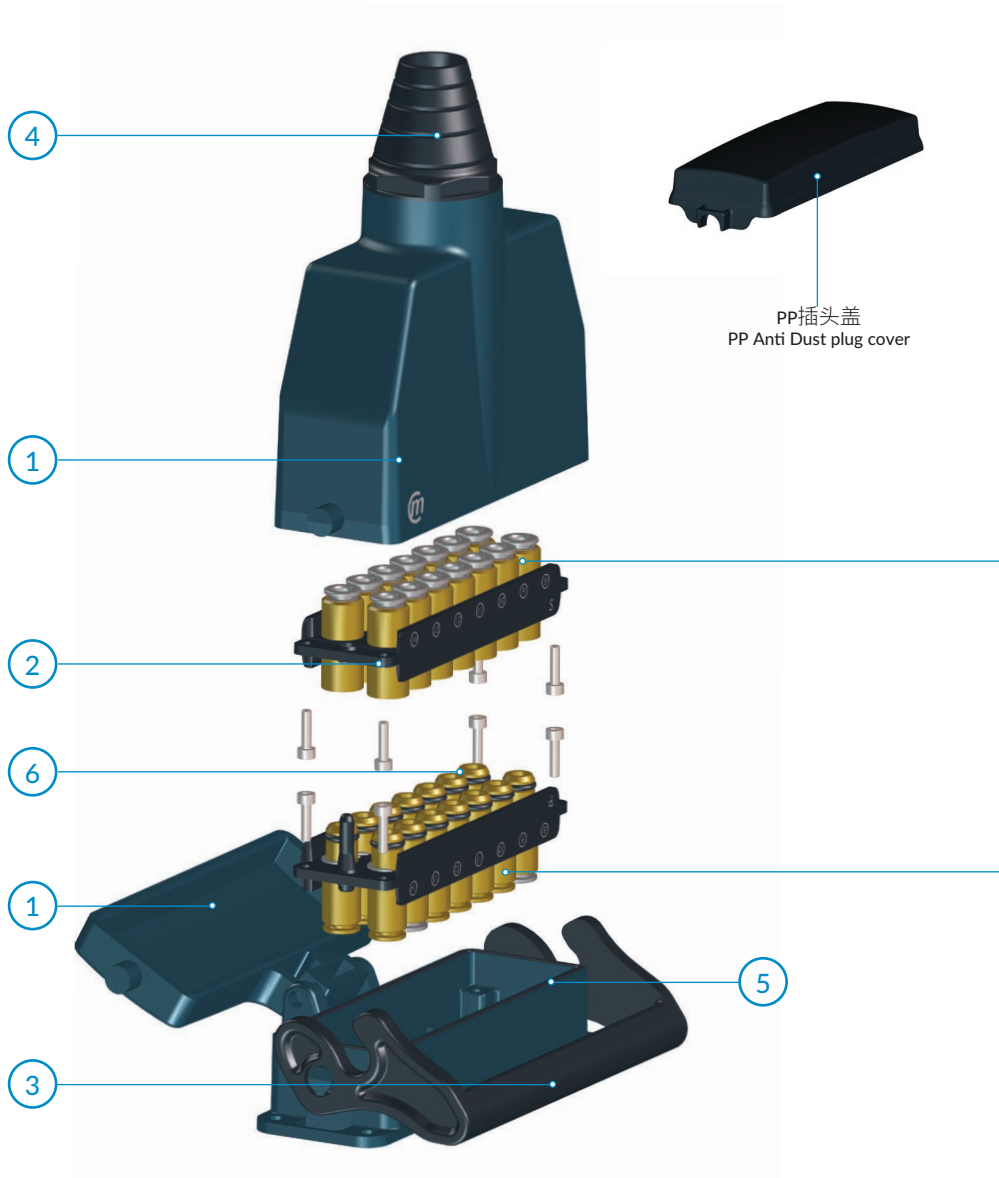
PARA (Ixef® 1023)
PARA (Ixef® 1023)
- 3** 拉杆
Lever

PARA (Ixef® 1022)
PARA (Ixef® 1022)
- 4** 管路导向套
Tubing guide

PA6
PA6
- 5** 密封圈
Seals

NBR
NBR
- 6** 快插接头
Push-in fittings

MA快插接头
MA push-in fittings



标准系统

对于每种尺寸的外壳,都有其规定的管路数目,此产品的紧凑设计,使得在相同管径的情况下,能够允许更多组管路数目

STANDARD SYSTEM:

The Multiple connector is available for each Shell Size with a predetermined number of connections; this solution is created to maximize the number of possible outlets with the same tube diameter.

建议的连接管路:

PA11、PA12、PA6、PE聚乙烯、PU聚氨酯 (98 Shore A)。

Recommended tubings:

PA11, PA12, PA6, Polyethylene PE, Polyurethane PU (98 Shore A)

应用领域:

气动系统。

Application fields:

Pneumatic circuits

CO A - STANDARD

标准系统

STANDARD SYSTEM

CO
LINE

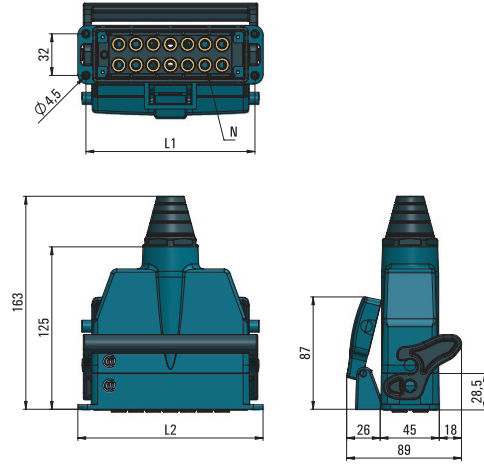
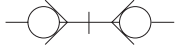
SIZE 0

A013

完整多路接头

Multiple connector, complete

类型	OD1	L1	L2	N	g Δ
A013 06 06 完整	6	82,5	95	6	645,0
A013 08 04 完整	8	82,5	95	4	594,0

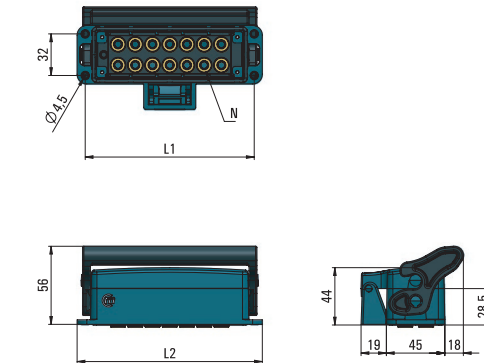
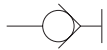


A013

带盖插座

Socket with cover

类型	OD1	L1	L2	N	g Δ
A013 06 06 插座 + 盖	6	82,5	95	6	285,0
A013 08 04 插座 + 盖	8	82,5	95	4	272,0

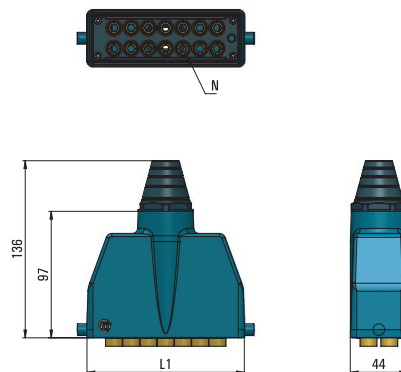
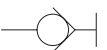


A013

插头

Plug

类型	OD1	L1	N	g Δ
A013 06 06 插头	6	73	6	364,0
A013 08 04 插头	8	73	4	330,0



AP	55
AR	63
AV	221
CO	157
CX	255
EV	217
GU	119
GU Safety	135
GX	281
GX Safety	291
HP	317
MA	27
MB	41
MC	83
MF	235
MM	333
MO	93
MP	323
MT	339
MV	171
MX	241
MY	229
OX	261
PA	113
PE	79
PM	329
PN	67
PT	347
PU	131
PU Safety	149
PUX	287
PV	203
PVX	311
PX	249
QO	363
RA	101
RF	269
RT	355
RX	275
Tools	369
Tubings	375
VF	295
VT	359
VX	299

CO A - STANDARD

标准系统

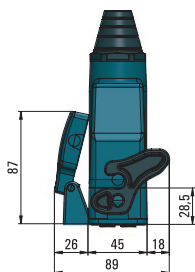
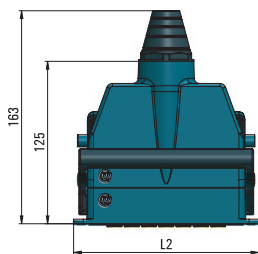
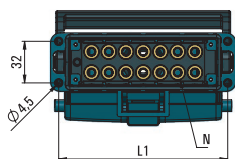
STANDARD SYSTEM

SIZE 1

A113

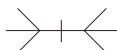
完整多路接头

Multiple connector, complete



类型

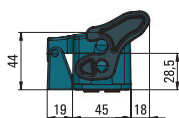
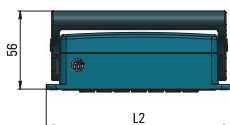
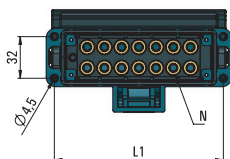
类型	OD1	L1	L2	N	g $\Delta\Delta$
A113 04 12 完整	4	103	115,5	12	612,0
A113 06 10 完整	6	103	115,5	10	718,5
A113 08 08 完整	8	103	115,5	8	656,0



A113

带盖插座

Socket with cover



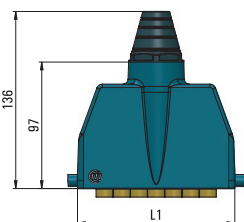
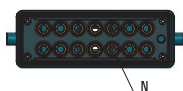
类型

类型	OD1	L1	L2	N	g $\Delta\Delta$
A113 04 12 插座 + 盖	4	103	115,5	12	302,0
A113 06 10 插座 + 盖	6	103	115,5	10	342,0
A113 08 08 插座 + 盖	8	103	115,5	8	309,0

A113

插头

Plug



类型

类型	OD1	L1	N°	g $\Delta\Delta$
A113 04 12 插头	4	94	12	318,0
A113 06 10 插头	6	94	10	339,0
A113 08 08 插头	8	94	8	355,0

CO A - STANDARD

标准系统

STANDARD SYSTEM

CO
LINE

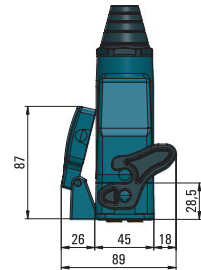
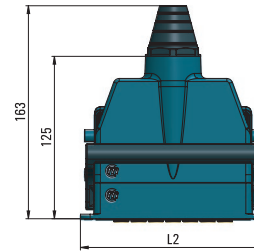
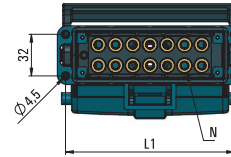
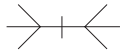
SIZE 2

A213

完整多路接头

Multiple connector, complete

类型	OD1	L1	L2	N	g
A213 04 20 完整	4	130	142,5	20	828,0
A213 06 14 完整	6	130	142,5	14	923,0
A213 08 10 完整	8	130	142,5	10	801,0

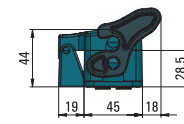
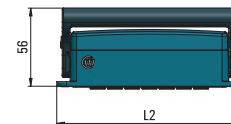
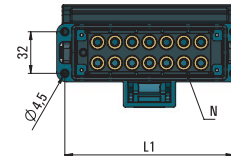


A213

带盖插座

Socket with cover

类型	OD1	L1	L2	N	g
A213 04 20 插座 + 盖	4	130	142,5	20	411,0
A213 06 14 插座 + 盖	6	130	142,5	14	436,0
A213 08 10 插座 + 盖	8	130	142,5	10	369,0

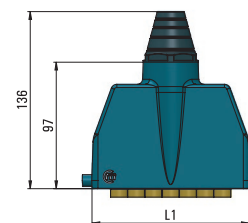
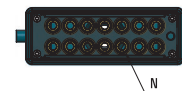


A213

插头

Plug

类型	OD1	L1	N	g
A213 04 20 插头	4	121	20	425,0
A213 06 14 插头	6	121	14	495,0
A213 08 10 插头	8	121	10	432,0



AP	55
AR	63
AV	221
CO	157
CX	255
EV	217
GU	119
GU Safety	135
GX	281
GX Safety	291
HP	317
MA	27
MB	41
MC	83
MF	235
MM	333
MO	93
MP	323
MT	339
MV	171
MX	241
MY	229
OX	261
PA	113
PE	79
PM	329
PN	67
PT	347
PU	131
PU Safety	149
PUX	287
PV	203
PVX	311
PX	249
QO	363
RA	101
RF	269
RT	355
RX	275
Tools	369
Tubings	375
VF	295
VT	359
VX	299

CO A - STANDARD

标准系统

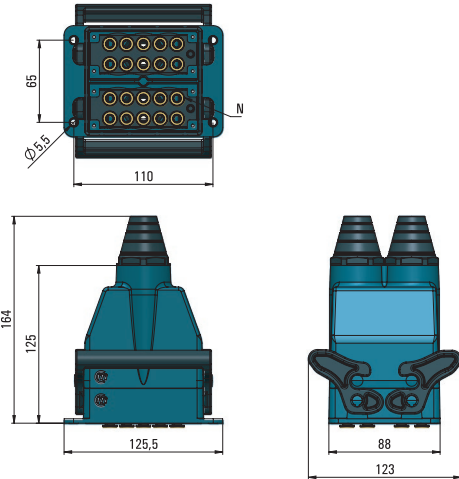
STANDARD SYSTEM

SIZE 3

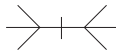
A313

完整多路接头

Multiple connector, complete



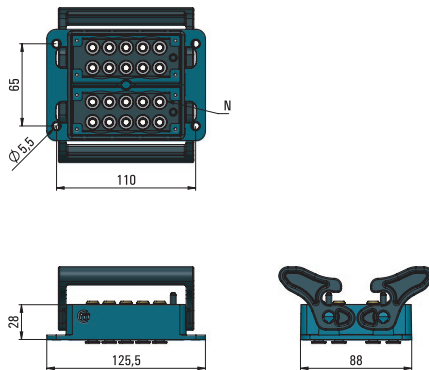
类型	OD1	N	g Δ
A313 04 24 完整	4	24	1103,0
A313 06 20 完整	6	20	1319,4
A313 08 16 完整	8	16	1111,5



A313

插座

Socket

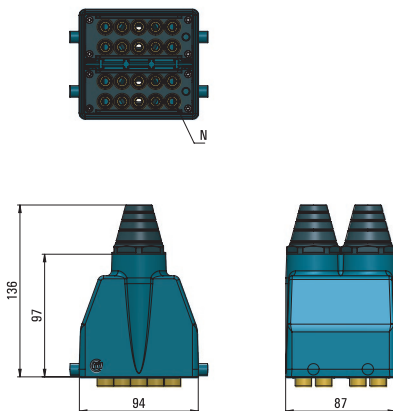


类型	OD1	N	g Δ
A313 04 24 插座	4	24	527,2
A313 06 20 插座	6	20	606,0
A313 08 16 插座	8	16	541,0

A313

插头

Plug



类型	OD1	N	g Δ
A313 04 24 插头	4	24	578,2
A313 06 20 插头	6	20	715,6
A313 08 16 插头	8	16	645,5

CO A - MOD

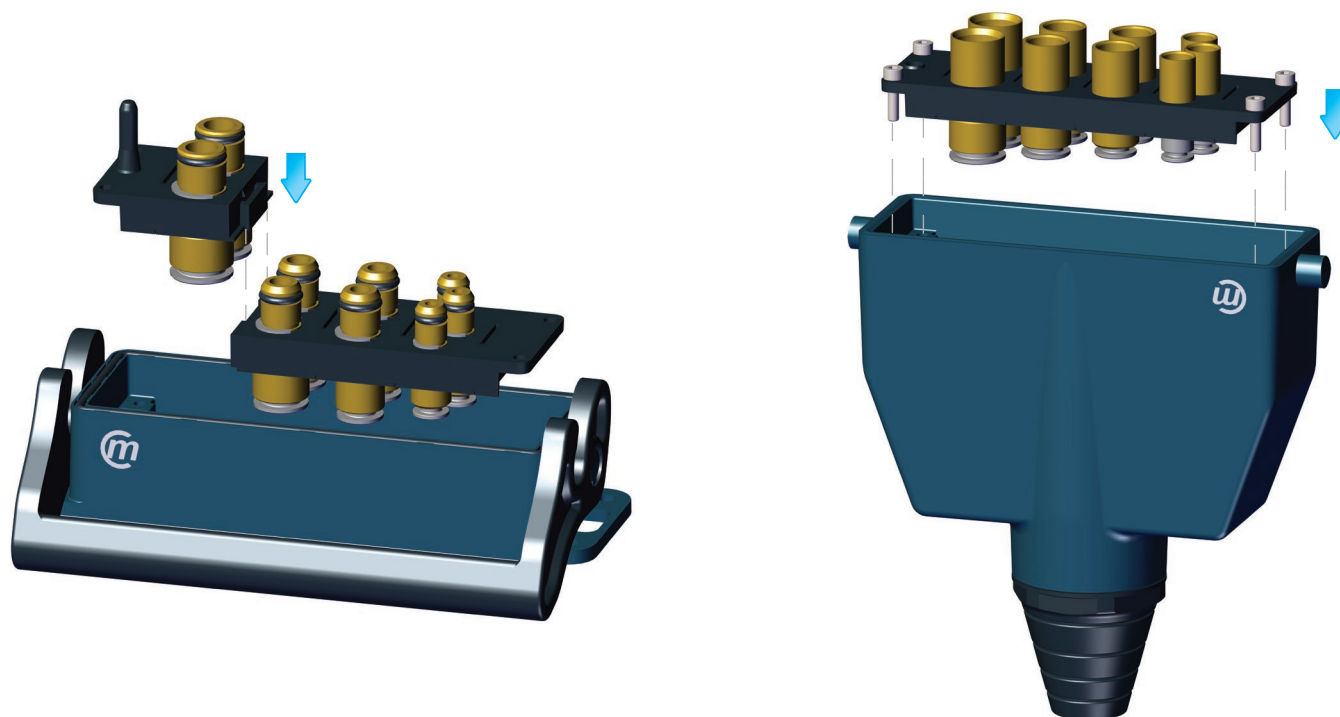
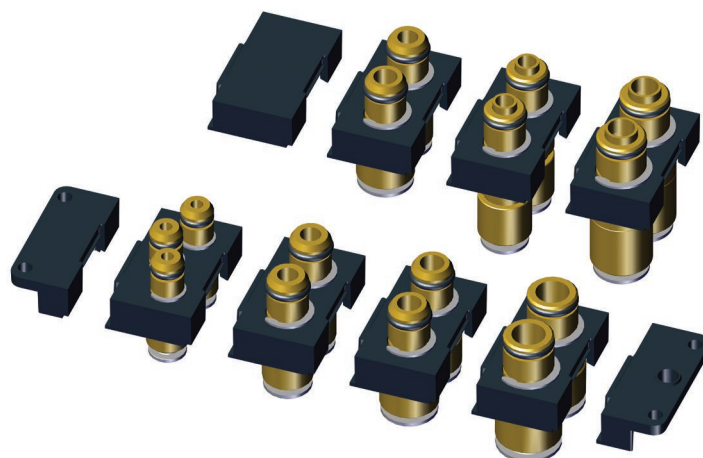
模块系统

该解决方案为用户提供了定制多路接头的可能性, 可根据实际需求自由配置管径尺寸、出气口数量及布局方式。用户能够依据多路接头壳体的规格, 选择相应的模块数量进行组合。

MODULAR SYSTEM

This solution is offering the user the opportunity to configure the multiple connector such as the tube diameter, the number of outlets and the layout of the same according to his needs. The user can choose the following number of modules based on the size of the multiple connector shell.

Size 1	Size 2	Size 3
3组+首尾模块 3 Modules + End plate	4组+首尾模块 4 Modules + End Plate	6组+首尾模块 6 Modules + End Plate



CO A - MOD

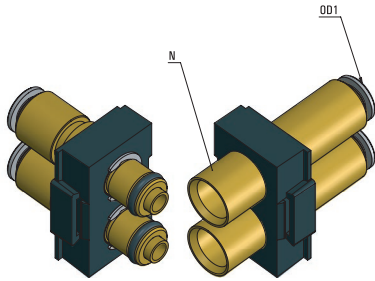
模块系统

MODULAR SYSTEM

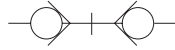
MOD 2

接头模块

Push-in fittings module



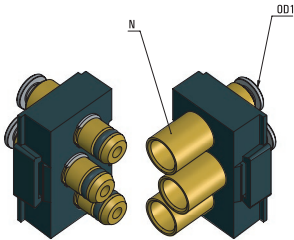
类型	OD1	N	g Δ
6	6	2	112,0
8	8	2	138,0



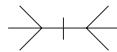
MOD 1

接头模块

Push-in fittings module

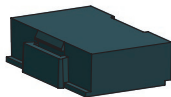


类型	OD1	OD2	N	g Δ
4	4	-	3	62,6
6	6	-	2	73,5
6-8	6	8	2	73,8
8	8	-	2	73,7
10	10	-	2	82,6



盲块

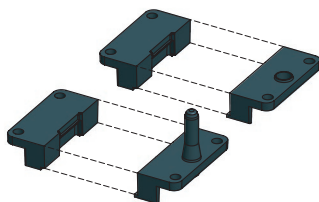
Blind module



类型	g Δ
夹子	4,9

首尾模块

End plate



类型	g Δ
Size 1	19,0
Size 2	14,0
Size 3	23,0

CO A - MOD

模块系统

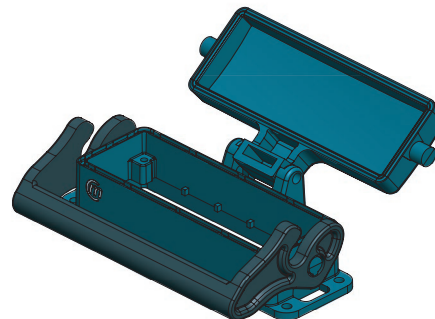
MODULAR SYSTEM

CO
LINE

插座外壳

Socket shell

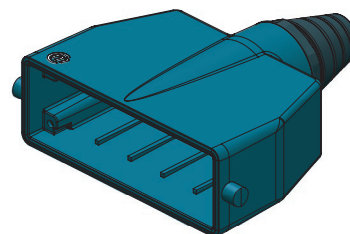
类型	g
Size 1	154,7
Size 2	180,0
Size 3	238,0



插头外壳

Plug shell

类型	g
Size 1	196,2
Size 2	226,0
Size 3	344,0



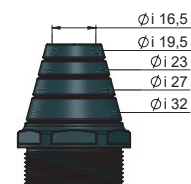
配件

ACCESSORIES

管路导套

Tubing guide

类型	g
管路导套 $\varnothing 32+16,5\text{mm}$	14,5



插头防尘盖

Anti dust plug cover

类型	L1	L2	L3	g
A013 插头盖	76	47	17,5	10,0
A113 插头盖	97	47	17,5	12,0
A213 插头盖	124	47	17,5	15
A313 插头盖	97	88	17,5	20,9

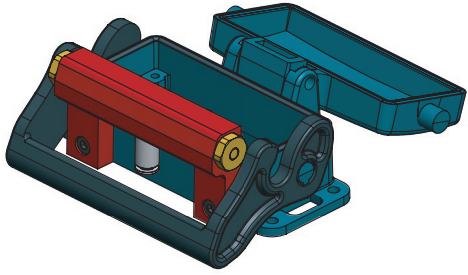


AP	55
AR	63
AV	221
CO	157
CX	255
EV	217
GU	119
GU Safety	135
GX	281
GX Safety	291
HP	317
MA	27
MB	41
MC	83
MF	235
MM	333
MO	93
MP	323
MT	339
MV	171
MX	241
MY	229
OX	261
PA	113
PE	79
PM	329
PN	67
PT	347
PU	131
PU Safety	149
PUX	287
PV	203
PVX	311
PX	249
QO	363
RA	101
RF	269
RT	355
RX	275
Tools	369
Tubings	375
VF	295
VT	359
VX	299

A113 / A213

接头模块

Push-in fittings module



类型

类型	g	Δ
A113 04 12 Presa+coperchio+blocco	-	
A113 06 10 Presa+coperchio+blocco	427,0	
A113 08 08 Presa+coperchio+blocco	-	
A213 04 20 Presa+coperchio+blocco	-	
A213 06 14 Presa+coperchio+blocco	-	
A213 08 10 Presa+coperchio+blocco	471,4	

防松脱插座壳体采用Al6082阳极氧化铝材质制造

The Anti-release body is made of Anodized Aluminium Al6082



Fig. 1

P > 2 bar

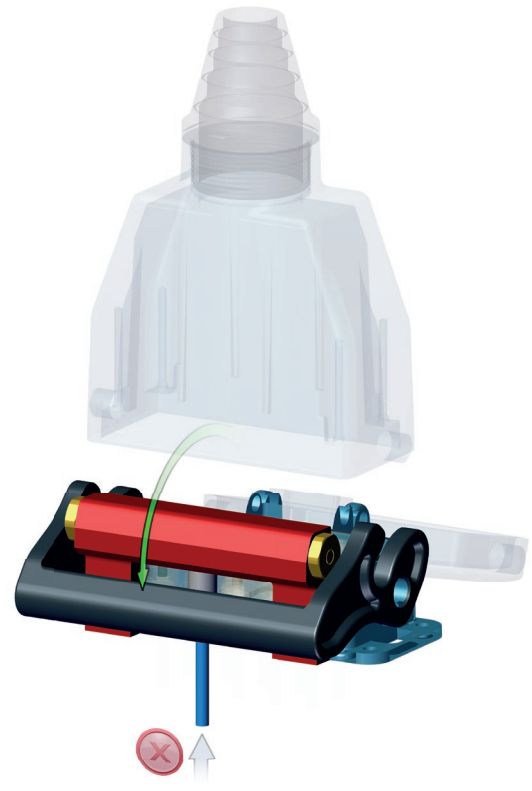


Fig. 2



配备防脱附件的多路接头插座可防止连接器在仍处于带压状态时意外断开。

操作防松脱安全装置时(图1),需在插头接入插座后从主线路为该安全装置提供动力。

在断开插头与插座连接前(图2),应先切断安全装置的动力源。



The Multiple connector socket equipped with the anti-release accessory prevents accidental disconnections of the connector if still pressurized.

To operate the anti-release safety device (Fig. 1), it is necessary to power the safety device from the main line once the plug has been connected to the socket.

Before disconnecting the plug from the socket (Fig. 2) turn off the power supply of the safety device.

CO B

穿板式/直线式多路接头

Bulkhead/in line multiple connectors

- | | | | | | |
|--|--|--|--|---|--|
| <p>1 防松螺帽
Counternut</p> <p>POM
POM</p> | <p>2 套筒
Sleeve</p> <p>POM
POM</p> | <p>3 插头
Plug</p> <p>阳极氧化铝Al2011
Anodized aluminium Al2011</p> | <p>4 插座
Socket</p> <p>阳极氧化铝Al2011
Anodized aluminium Al2011</p> | <p>5 螺丝
Screw</p> <p>钢
Steel</p> | <p>6 固定销子
Pin</p> <p>黄铜UNI EN 12164 CW614N
Brass UNI EN12164 CW614N</p> |
|--|--|--|--|---|--|



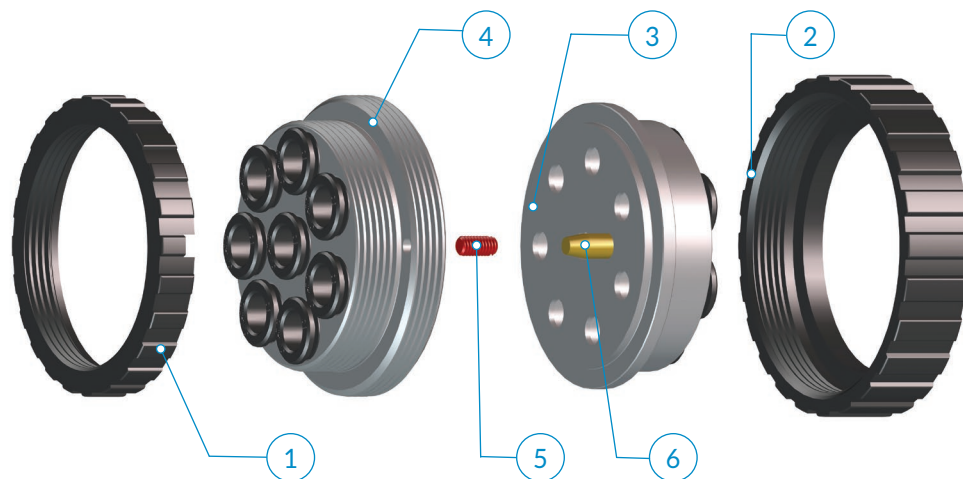
-20° + 70°C



10 bar



-99 KPa



图中红色标注的螺丝(5)仅作演示用途——实际零件为黑色。
The screw (5) shown in red is for demonstration purposes only - the actual part is black.

建议的连接管路:

PA11、PA12、PA6、PE聚乙烯、PU聚氨酯 (98 Shore A)。

应用领域:

气动系统。

Recommended tubings:

PA11, PA12, PA6, Polyethylene PE, Polyurethane PU (98 Shore A)

Application fields:

Pneumatic circuits

i 面板安装式

PANEL MOUNTING

松开多路接头插座的防松螺帽(1), 调整螺丝(2), 使其配合壁厚, 而后将插座安置于壁孔之中, 且确保螺丝(2)正确插入预加工位置, 旋紧插座的防松螺帽(1), 直至底部。

Loosen counter nut (1) from the multiple connector socket; tighten the screw (2) to let it sticks out as much as the wall thickness (Fig.2). Place the socket in the wall hole and allow for the screw to fit into the seat drilled through in the wall (Fig.1). Tighten the counter nut (1) on socket body until bottoms (Fig.3).

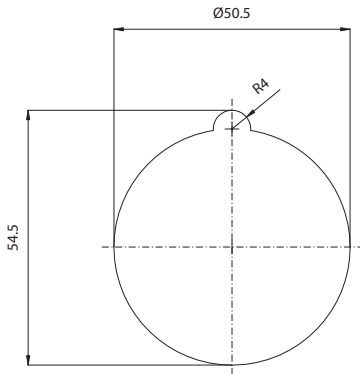


Fig.1

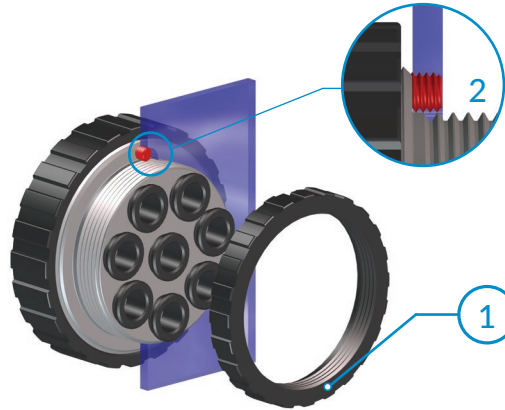


Fig.2



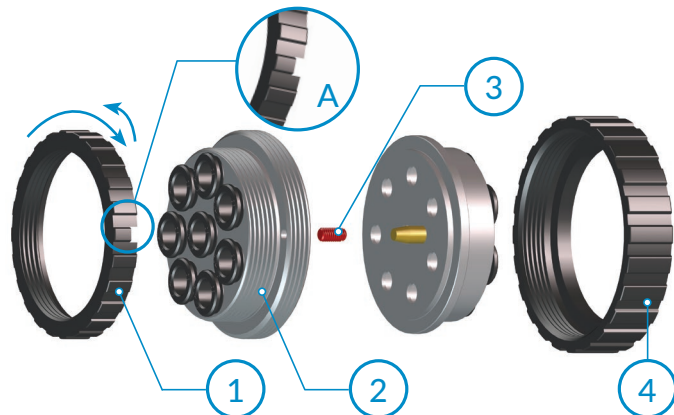
Fig.3

i 落地安装

FLOOR MOUNTING

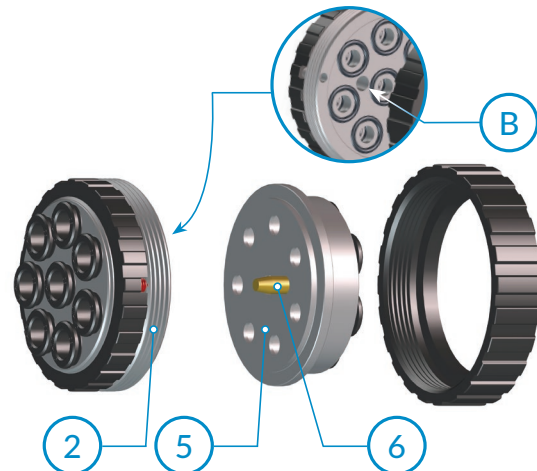
1
旋紧插座(2)的防松螺帽(1)直至底部, 然后略微回旋, 使防松螺帽的卡槽(A)与紧固螺丝(3)对准, 而后将螺丝(3)完全旋紧至卡槽(A)中, 此时防松螺帽(1)不能再转动, 这将有利于旋紧或者松开套箍(4)

Tighten counter nut (1) onto the socket (2) until it bottoms, then loosen it a bit to align the seat (A) with the securing screw (3). Tighten the screw (3) all the way into its seat (A) in the counter nut (1). At this stage the counter nut (1) can no longer rotate and it will help to tighten or to loose the sleeve (4).



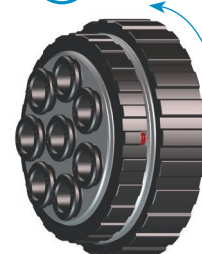
2
将插头(5)与插座(2)进行装配, 确保定位销(6)准确嵌入对应插槽(B)。

Assemble the connector plug (5) with the socket (2) making sure that the pin (6) fits into the related housing (B).



3
将锁紧套(4)旋紧直至限位。


Tighten the sleeve (4) until it bottoms.

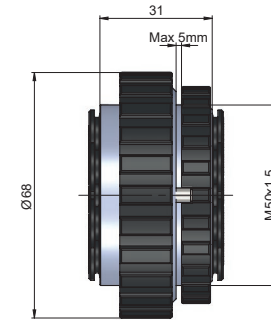
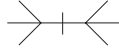


B113

完整多路接头

Multiple connector, complete


类型	OD1	N	g 
B113 04 12 完整	4	12	201,4
B113 06 10 完整	6	10	184,1
B113 08 08 完整	8	8	174,6

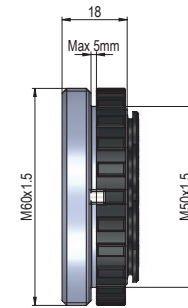


B113

插座

Socket


类型	OD1	N	g 
B113 04 12 插座	4	12	103,0
B113 06 10 插座	6	10	94,5
B113 08 08 插座	8	8	89,9

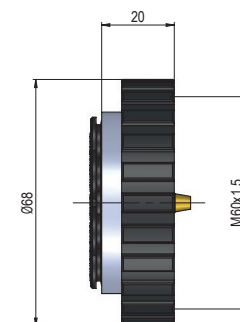


B113

插头

Plug

类型	OD1	N	g 
B113 04 12 插头	4	12	101,8
B113 06 10 插头	6	10	93,3
B113 08 08 插头	4	8	89,1



AP 55
AR 63
AV 221
CO 157
CX 255
EV 217
GU 119
GU Safety 135
GX 281
GX Safety 291
HP 317
MA 27
MB 41
MC 83
MF 235
MM 333
MO 93
MP 323
MT 339
MV 171
MX 241
MY 229
OX 261
PA 113
PE 79
PM 329
PN 67
PT 347
PU 131
PU Safety 149
PUX 287
PV 203
PVX 311
PX 249
QO 363
RA 101
RF 269
RT 355
RX 275
Tools 369
Tubings 375
VF 295
VT 359
VX 299



cmatic