



GX Safety



CN

316L不锈钢安全快换接头
符合ISO4414的316L不锈钢安全型快换接头

EN

316L Stainless Steel Safety Couplings
AISI 316L stainless steel quick couplings with ISO 4414-compliant safety feature.

GX 46

安全型按钮式快换接头，欧洲外形

Push-button safety coupling according european profile

- 1** 本体
Body
316L (1.4404) 不锈钢
Stainless steel AISI 316L (1.4404)
- 2** 按钮、阀芯和排气环
Button, valve and venting ring
- 3** 螺纹
Thread
- 4** 弹簧
Springs
AISI 302 不锈钢
Stainless steel AISI 302
- 5** 滚珠
Balls
AISI 420 不锈钢
Stainless steel AISI 420
- 6** 密封圈
Seals
FPM
FPM
- i** 插头体
Plugs
316L (1.4404) 不锈钢
Stainless steel AISI 316L (1.4404)



-20° ÷ 150°C



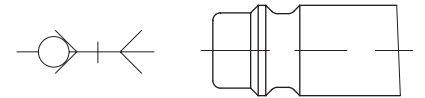
12 bar



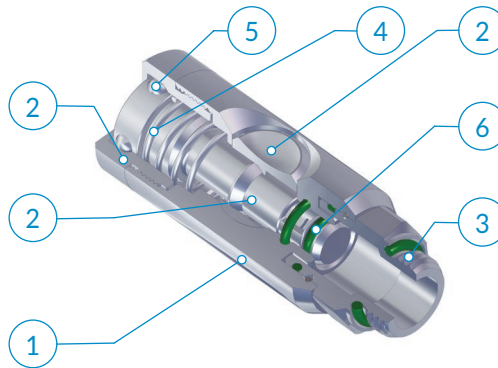
7,4 mm



1500 NI/min
(6 bar - Δp = 1bar)



欧洲型材
European Profile



快换接头在安装后依然可以调整方向。
The Coupling will remain swivelling after installation.

应用领域:
食品和药品工业，精密仪器

Application fields:
Food and Pharma industry and instrumentation

i 连接 - 断开

CONNECTION - RELEASE

将插头体插入接头体

Insert the plug into the Coupling.

断开连接，需依照以下指导步骤：
插头体已经插入接头体

To disconnect the plug follow instructions below:
Plug inserted in Coupling.

1

按压按钮，排出下游回路中的空气，此时，插头体依旧锁定接头体；

1

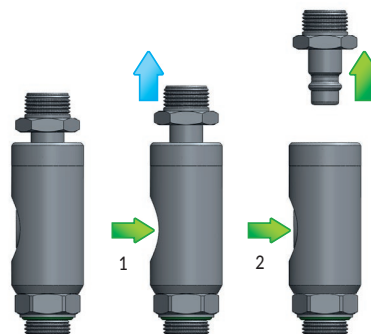
Press the button once to vent the downstream air from the circuit; at this time the plug is still captive in the Coupling.

2

再次按压按钮，完成插头体的分离。

2

Press the button one more time to release the plug.

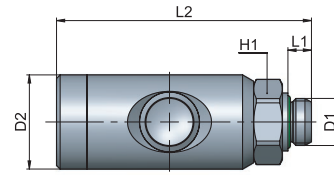


GX 46-10

外螺纹接头体

Male coupling

类型	D1	D2	L1	L2	H1	g Δ
10 00 14	G1/4	26	6,5	70,4	21	177,0
10 00 38	G3/8	26	7	69,9	21	176,5
10 00 12	G1/2	26	8,5	72,4	25	197,5

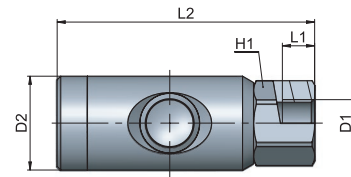


GX 46-12

内螺纹接头体

Female coupling

类型	D1	D2	L1	L2	H1	g Δ
12 00 14	G1/4	26	9	71,4	21	190,0
12 00 38	G3/8	26	10	75,4	21	190,0
12 00 12	G1/2	26	11	77,4	24	200,5

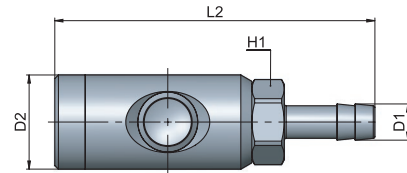


GX 46-13

软管用接头体

Coupling with hose connection

类型	ID1	D1	D2	L2	H1	g Δ
13 06 00	6	7	26	88,4	21	178,5
13 09 00	9	10	26	88,4	21	183,4
13 10 00	10	11	26	88,4	21	184,0
13 13 00	13	14	26	88,4	21	188,5



i 更多插头体信息，请参看GX10相关部分。
For further info on the plugs to use, please revert to the GX10 section.

AP 55
AR 63
AV 221
CO 157
CX 255
EV 217
GU 119
GU Safety 135
GX 281
GX Safety 291
HP 317
MA 27
MB 41
MC 83
MF 235
MM 333
MO 93
MP 323
MT 339
MV 171
MX 241
MY 229
OX 261
PA 113
PE 79
PM 329
PN 67
PT 347
PU 131
PU Safety 149
PUX 287
PV 203
PVX 311
PX 249
QO 363
RA 101
RF 269
RT 355
RX 275
Tools 369
Tubings 375
VF 295
VT 359
VX 299



cmatic