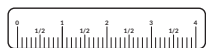


INCH



PVX LINE



CN

英制/NPT 316L不锈钢功能接头

Cmatic PVX功能接头系列, 提供广泛的控制阀和节流阀选择, 完全由符合美国标准的AISI 316L不锈钢制造。

EN

316L Stainless Steel Function Fittings, Inch/NPT

Cmatic's line of function fittings is completed by the PVX series, which offers a wide choice of valves and flow regulators made entirely of AISI 316L stainless steel in compliance with US standards.



PVX Line

“英寸/NPT”功能接头

INCH/NPT Function Fittings

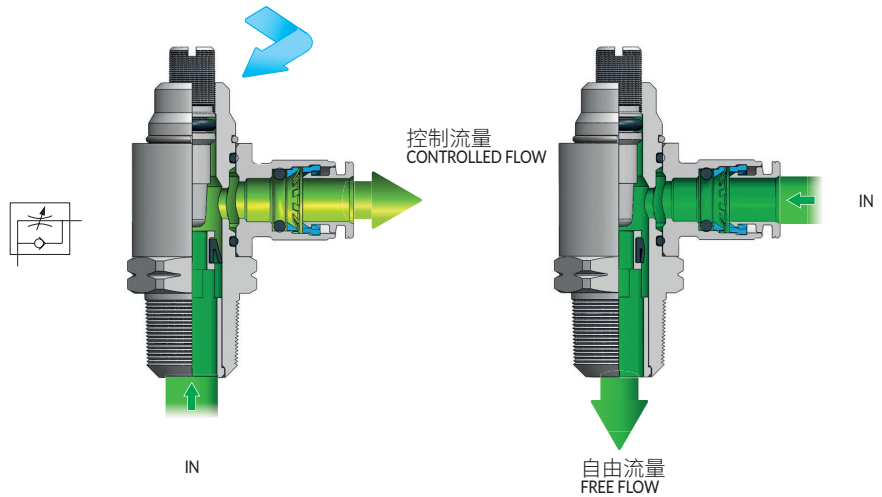
该系列产品可对气动回路中的流量进行精确调节。根据使用的流量控制的不同，既有双向流量调节（双向流量控制阀），也可单向调节（单向流量控制阀）。其中单向流量控制阀尤其适用于调节气缸速度。

They can adjust the flow in a pneumatic circuit. Depending on the flow control used, the setting can be made both ways (Bidirectional Flow Control), or just one way (Unidirectional Flow Control). The Unidirectional Flow Control is particularly used to adjust the speed of pneumatic cylinders.

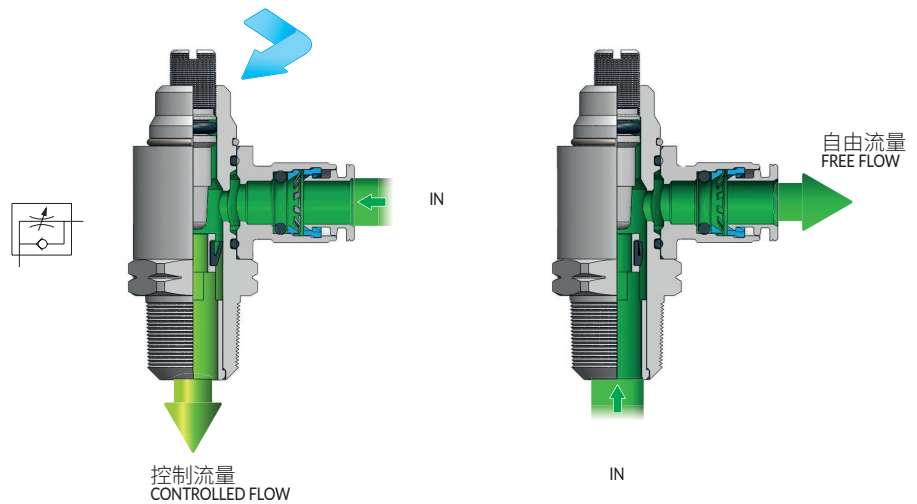
流量调节范围

Possible Flow Adjustments

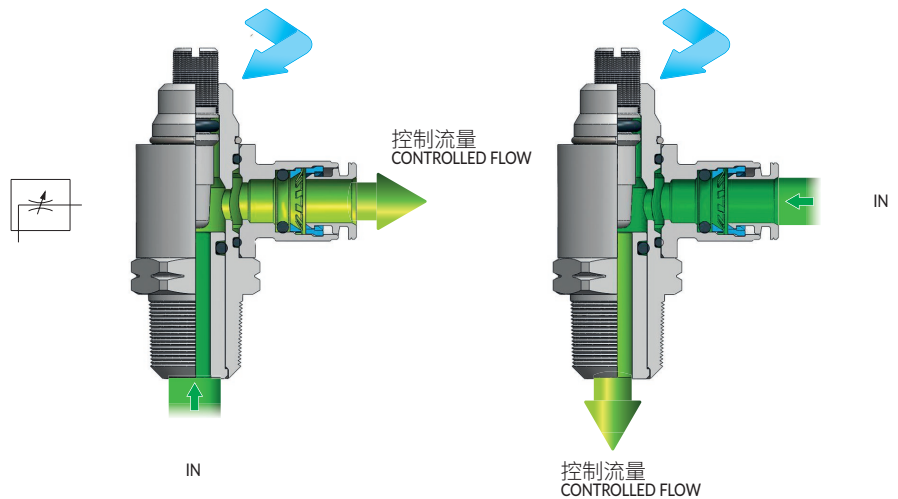
.../O = 排气节流
Meter out flow control



.../I = 进气节流
Meter in flow control



.../B = 双向流量调节
Bidirectional flow control



PVX 18

PVX
LINE

可调节流阀

Flow control with swivelling push-in fitting

- 1 本体
Body

316L (1.4404) 不锈钢
Stainless steel AISI 316L (1.4404)
- 2 阀针
Needle
- 3 插装阀芯
Cartridge
- 4 密封圈
Seals

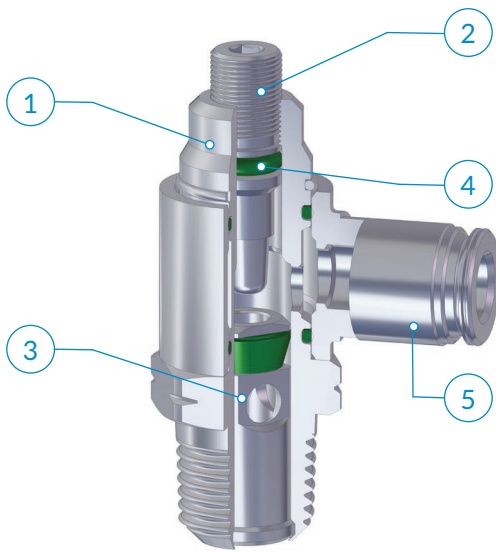
FPM
FPM
- 5 PX快插接头
PX line push-in fittings



-20° ÷ 150°C



10 bar



流量控制装置安装完成后, 铰接接头本体部分仍可自由转动。
The banjo ring swivels also after flow control installation.

类型	OD1	D1	D2	L1	L2	L3	L4 max	H1	g Δ
18 1/4 1/8	1/4	1/8 NPTF	12	8,1	21,1	22,5	40,9	9/16	35,0
18 1/4 1/4	1/4	1/4 NPTF	12	12,7	26,7	24	49,1	11/16	-
18 3/8 1/4	3/8	1/4 NPTF	16	12,7	26,7	27	49,1	11/16	-



可用版本:
Available as:

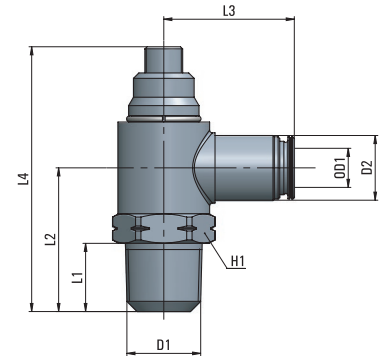
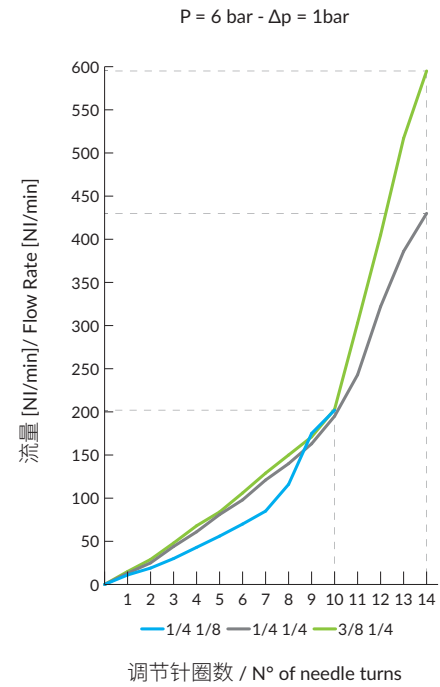
.../O = Meter Out



.../I = Meter In



.../B = Bidirectional



建议的连接管路:
PVDF管, PTFE管。

应用领域:
空气经过过滤和润滑处理的气动系统。

Recommended tubings:
PVDF and PTFE tubings.

Application field:
Pneumatic installations fed with filtered, lubricated air.

- AP 55
- AR 63
- AV 221
- CO 157
- CX 255
- EV 217
- GU 119
- GU Safety 135
- GX 281
- GX Safety 291
- HP 317
- MA 27
- MB 41
- MC 83
- MF 235
- MM 333
- MO 93
- MP 323
- MT 339
- MV 171
- MX 241
- MY 229
- OX 261
- PA 113
- PE 79
- PM 329
- PN 67
- PT 347
- PU 131
- PU Safety 149
- PUX 287
- PV 203
- PVX 311
- PX 249
- QO 363
- RA 101
- RF 269
- RT 355
- RX 275
- Tools 369
- Tubings 375
- VF 295
- VT 359
- VX 299

PVX 23

单向阀

Check valve

- 1 本体
Body
- 2 阀芯
Valve

316L (1.4404) 不锈钢
Stainless steel AISI 316L (1.4404)

- 3 密封圈
Seals

FPM
FPM

- 4 弹簧
Spring

AISI 302 不锈钢
Stainless steel AISI 302



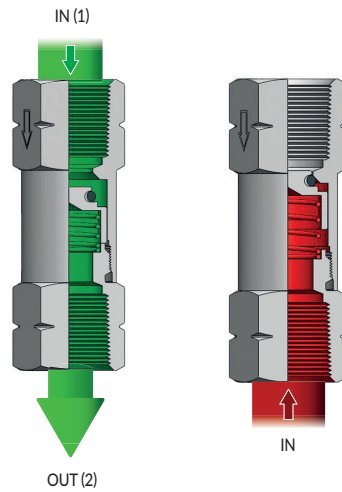
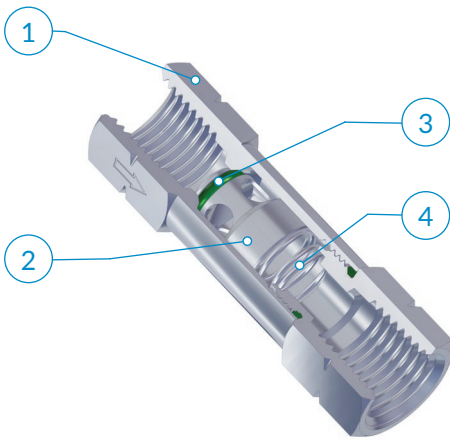
-20° ± 150°C



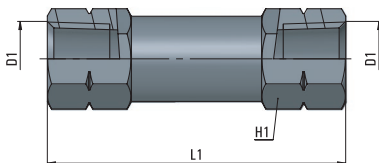
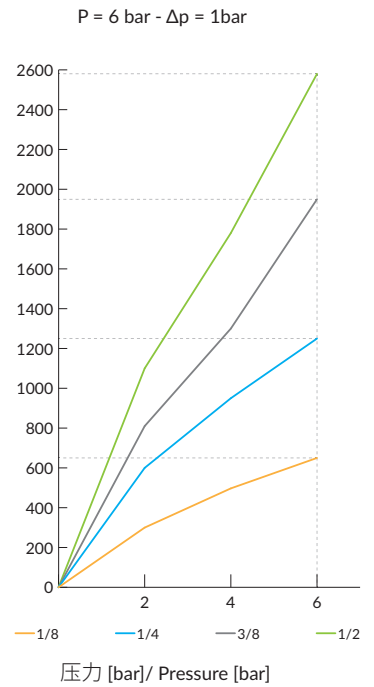
2 ± 10 bar



0,2 bar



流量 [NI/min]/ Flow Rate [NI/min]



类型	D1	L1	H1	g
23 00 1/8	1/8 NPTF	42,7	13	-
23 00 1/4	1/4 NPTF	55	16	-
23 00 3/8	3/8 NPTF	57	20	-
23 00 1/2	1/2 NPTF	65	24	111,4



i 流体仅允许单向通过 (沿着阀体上箭头方向), 反向截止。

i The flow is allowed only in one way (the arrow direction engraved on the body) and stopped in the reverse way.

建议的连接管路:
取决于与节流阀相连的接头类型。

Recommended tubings:
According to the fitting connected to the flow control.

应用领域:
空气经过过滤和润滑处理的气动系统。

Application field:
Pneumatic installations fed with filtered, lubricated air.

PVX 11

PVX
LINE

消声器


Air mufflers

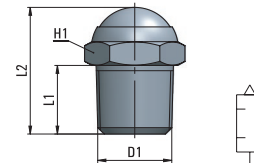
	本体 Body	消声器 Muffler		
PVX11-FE	AISI 304不锈钢 Stainless Steel AISI 304	AISI 304不锈钢 Stainless Steel AISI 304	0 ÷ 12 bar	-20°C ÷ 150°C

PVX 11

不锈钢消音器

Air muffler with stainless steel wire

类型	D1	L1	L2	H1	g 
11 00 1/8-FE	1/8 NPT	7,5	16,5	13	6,0
11 00 1/4-FE	1/4 NPT	10	20,5	16	11,9
11 00 3/8-FE	3/8 NPT	11	22	19	20,0
11 00 12-FE	1/2 NPT	13	26	24	27,0



AP	55
AR	63
AV	221
CO	157
CX	255
EV	217
GU	119
GU	135
Safety	
GX	281
GX	291
Safety	
HP	317
MA	27
MB	41
MC	83
MF	235
MM	333
MO	93
MP	323
MT	339
MV	171
MX	241
MY	229
OX	261
PA	113
PE	79
PM	329
PN	67
PT	347
PU	131
PU	149
Safety	
PUX	287
PV	203
PVX	311
PX	249
QO	363
RA	101
RF	269
RT	355
RX	275
Tools	369
Tubings	375
VF	295
VT	359
VX	299



cmatic