

## VT LINE



CN

工业与商用车辆功能接头

该系列功能接头是应用于交通车辆行业的MT和RT产品的补充

EN

Function Fittings for industrial and commercial vehicles

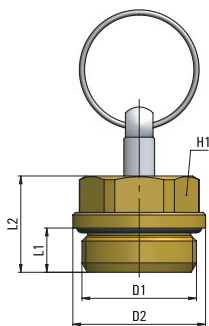
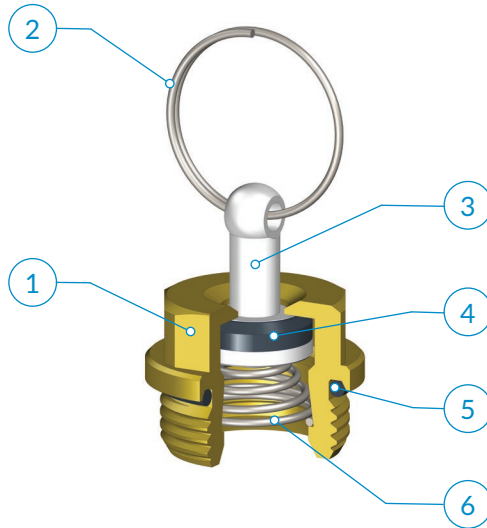
Function fittings to complement the MT and RT lines for the transportation industry.

# VT 90

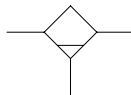
排水阀

Drain valve

- |  |   |  |  |  |   |
|--|---|--|--|--|---|
| <p><b>1</b> 本体<br/>Body</p> <p>黄铜UNI EN 12164 CW614N<br/>Brass UNI EN 12164 CW614N</p> | <p><b>2</b> 拉环<br/>Flat ring</p> <p>AISI302<br/>AISI302</p> | <p><b>3</b> 活塞<br/>Piston</p> <p>PA66<br/>PA66</p> | <p><b>4</b> 扁平密封圈<br/>Flat seal</p> <p>NBR (低温型)<br/>NBR (low temperature)</p> | <p><b>5</b> 密封圈<br/>Seals</p> <p>NBR (低温型)<br/>NBR (low temperature)</p> | <p><b>6</b> 弹簧<br/>Spring</p> <p>AISI 302不锈钢<br/>Stainless steel AISI 302</p> |
|--|---|--|--|--|---|



类型	D1	D2	L1	L2	H1	g
90 00 M22x1,5	M22x1,5	25,5	8,5	18,5	21	36,8



**应用领域:**  
商用和工业车辆的刹车系统

**拧紧力矩**  
VT系列拧紧力矩, 请参考第342页数据

**规范**  
符合DIN 74324

**Application fields:**  
Air Brake Systems on Commercial and Industrial Vehicles.

**Tightening Torque Forces**  
As for VT Tightening Torque Forces please refer to the data at page 342.

**Certification**  
VT90 is certified according to DIN 74324.

# VT 91

测压接头

Pressure test point

- 1** 本体  
Body

黄铜UNI EN 12164 CW614N  
Brass UNI EN 12164 CW614N
- 2** 密封圈  
Seals

NBR (低温型)  
NBR (low temperature)
- 3** 弹簧  
Spring

AISI 302不锈钢  
Stainless steel AISI 302
- 4** 活塞  
Piston

PA66  
PA66
- 5** 保护罩  
Protection cap

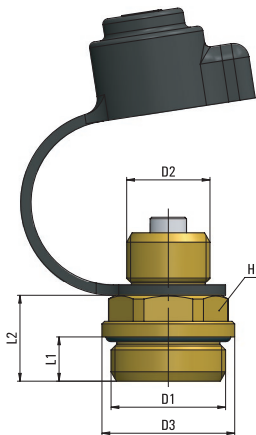
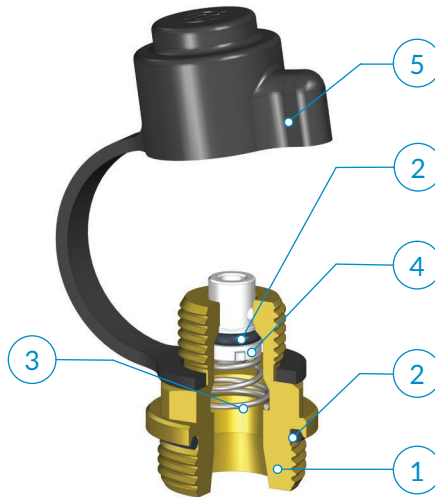
NBR (低温型)  
NBR (low temperature)



-50° ÷ 100°C



16 bar



类型	D1	D2	D3	L1	L2	H1	g $\Delta$
91 00 M16x1,5	M16x1,5	M16x1,5	20	8,5	16,5	17	32,9
91 00 M22x1,5	M22x1,5	M16x1,5	25,5	8,5	16,5	21	55,0



**应用领域:**  
商用和工业车辆的刹车系统

**Application fields:**  
Air Brake Systems on Commercial and Industrial Vehicles.

**拧紧力矩:**  
VT系列拧紧力矩, 请参考第342页数据

**Tightening Torque Forces**  
As for VT Tightening Torque Forces please refer to the data at page 342.

**规范**  
符合ISO 3583

**Certification**  
VT91 is certified according to ISO 3583.



*cmatic*