

PA LINE



Brass Nickel-Plated Standard Fittings, NPTF

The PA line, also known as the "Accessories line" or the "Standard fittings line" consists of a wide variety of components, such as Nipples, Reduction pieces, Connections, Plugs, Hose connections, L-T and Cross fittings. Due to the multiple auxiliary functions of this line, the PA fittings are the right complement of different ranges. All components are in inch sizes and NPTF threads and are electrolytic nickel plated.

PA Line

1 Body

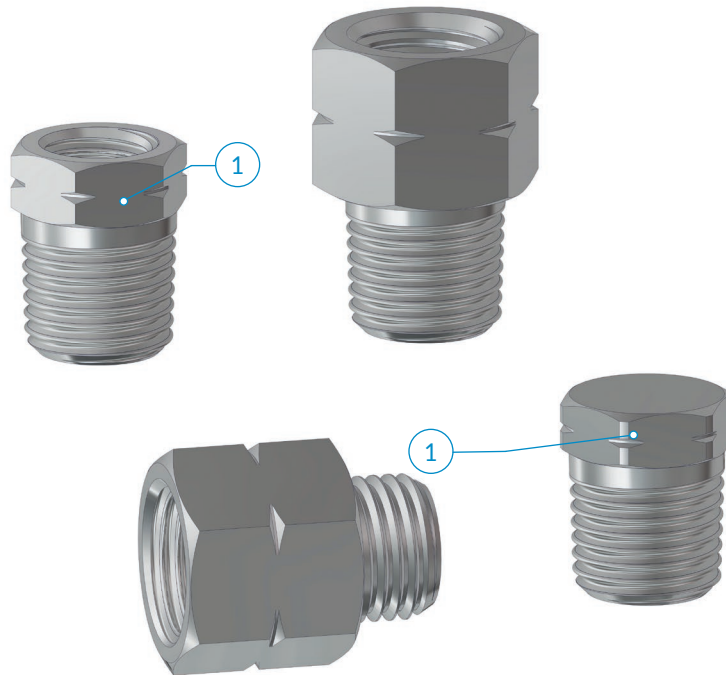
Brass UNI EN 12164 CW614N - UNI EN 12165 CW617N, nickel Plated



-40° ÷ 302°F



Max 870 PSI



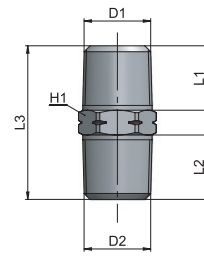
	10-32 UNF	G1/8	G1/4	G3/8	G1/2	1/8 NPTF	1/4 NPTF	3/8 NPTF	1/2 NPTF
	•	•	•	•	•	•	•	•	•

Application fields:
Pneumatic, hydraulic and oleodynamic circuits

PA 11

Nipple, taper

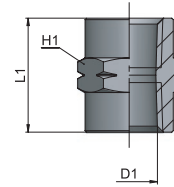
Type	D1	D2	L1	L2	L3	H1	oz Δ
11 1/8 1/8	1/8 NPTF	1/8 NPTF	.335	.335	.827	.472	.330
11 1/4 1/4	1/4 NPTF	1/4 NPTF	.512	.512	1.220	.551	.684
11 3/8 3/8	3/8 NPTF	3/8 NPTF	.512	.512	1.260	.709	1.206
11 1/2 1/2	1/2 NPTF	1/2 NPTF	.669	.669	1.614	.866	2.105



PA 13

Joint Piece

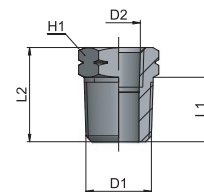
Type	D1	L1	H1	oz Δ
13 1/8 1/8	1/8 NPTF	.709	.551	.472
13 1/4 1/4	1/4 NPTF	.906	.709	.976
13 3/8 3/8	3/8 NPTF	.984	.866	1.450
13 1/2 1/2	1/2 NPTF	1.260	1.024	2.338



PA 14

Taper female-male reducing connector

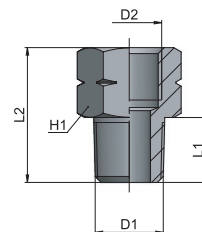
Type	D1	D2	L1	L2	H1	oz Δ
14 1/8 10-32	1/8 NPTF	10-32 UNF	.335	.492	.472	-
14 1/4 1/8	1/4 NPTF	1/8 NPTF	.512	.748	.551	.434
14 3/8 1/8	3/8 NPTF	1/8 NPTF	.512	.748	.709	.926
14 3/8 1/4	3/8 NPTF	1/4 NPTF	.512	.748	.709	.644
14 1/2 1/4	1/2 NPTF	1/4 NPTF	.669	.945	.866	1.659
14 1/2 3/8	1/2 NPTF	3/8 NPTF	.669	.945	.866	1.160



PA 16

Adaptor male-female, taper

Type	D1	D2	L1	L2	H1	oz Δ
16 1/0-32 M5	10-32 UNF	M5x0,8	.197	.472	.315	.424
16 1/8 1/8	1/8 NPTF	G1/8 BSP	.335	.748	.551	.424
16 1/4 1/4	1/4 NPTF	G1/4 BSP	.512	1.063	.709	.921
16 3/8 3/8	3/8 NPTF	G3/8 BSP	.512	1.063	.866	1.359
16 1/2 1/2	1/2 NPTF	G1/2 BSP	.669	1.339	1.063	2.311



CO 67

MA 31

MM 115

PA 49

PE 45

PM 111

PN 19

PT 121

PU 55

PU Safety 59

PUX 101

PV 81

PVX 105

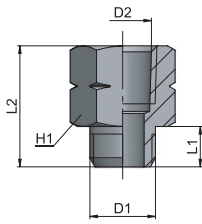
PX 95

Tool 129

Tubings 135

PA 17

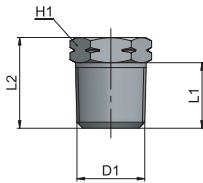
Adaptor male-female, parallel



Type	D1	D2	L1	L2	H1	oz
17 1/8 1/8	G1/8 BSP	1/8 NPTF	.236	.709	.551	.441
17 1/4 1/4	G1/4 BSP	1/4 NPTF	.315	.945	.709	.953
17 3/8 3/8	G3/8 BSP	3/8 NPTF	.354	.984	.866	1.747
17 1/2 1/2	G1/2 BSP	1/2 NPTF	.394	1.181	.945	1.764

PA 19

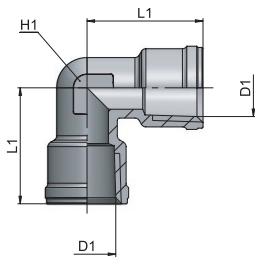
Male plug



Type	D1	L1	L2	H1	oz
19 00 1/8	1/8 NPTF	.335	.492	.472	.230
19 00 1/4	1/4 NPTF	.512	.709	.551	.512
19 00 3/8	3/8 NPTF	.512	.748	.709	.865
19 00 1/2	1/2 NPTF	.669	.945	.866	1.465

PA 21

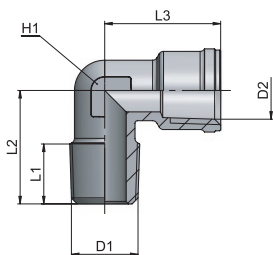
Female elbow



Type	D1	L1	H1	oz
21 1/8 1/8	1/8 NPTF	.748	.394	.537
21 1/4 1/4	1/4 NPTF	.906	.472	1.359
21 3/8 3/8	3/8 NPTF	1.024	.591	1.634
21 1/2 1/2	1/2 NPTF	1.339	.748	3.072


PA 22

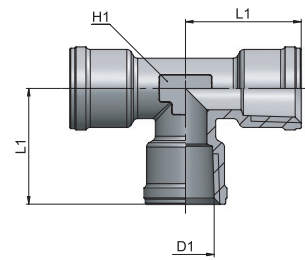
Male-Female elbow





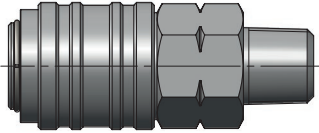
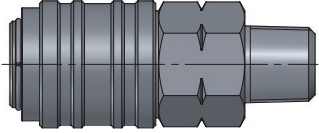
Type	D1	D2	L1	L2	L3	H1	oz
22 1/8 1/8	1/8 NPTF	1/8 NPTF	.335	.689	.748	.394	.466
22 1/4 1/4	1/4 NPTF	1/4 NPTF	.472	.886	.906	.472	1.235
22 3/8 3/8	3/8 NPTF	3/8 NPTF	.472	1.004	1.024	.591	1.487
22 1/2 1/2	1/2 NPTF	1/2 NPTF	.630	1.220	1.339	.748	2.784

Female T

Type	D1	L1	H1	oz 
23 1/8 1/8	1/8 NPTF	.748	.394	.758
23 1/4 1/4	1/4 NPTF	.906	.472	1.354
23 3/8 3/8	3/8 NPTF	1.220	.669	2.310
23 1/2 1/2	1/2 NPTF	1.319	.827	5.045



- CO 67
- MA 31
- MM 115
- PA 49
- PE 45
- PM 111
- PN 19
- PT 121
- PU 55
- PU Safety 59
- PUX 101
- PV 81
- PVX 105
- PX 95
- Tool 129
- Tubings 135

Type	Profiles			Pag. ref.	
PU10	Multi	1/4"		NPTF	56
PUX10 Stainless Steel	Multi	1/4"		NPTF	102