

PVX LINE



316L Stainless Steel Function Fittings, Inch/NPTF

Cmatic's line of function fittings is completed by the PVX series, which offers a wide choice of valves and flow regulators made entirely of AISI 316L stainless steel in compliance with US standards.

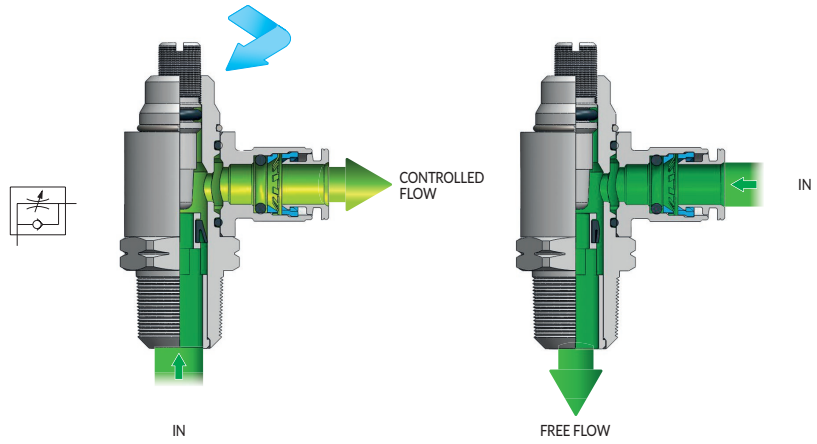
PVX Line

INCH/NPT Function Fittings

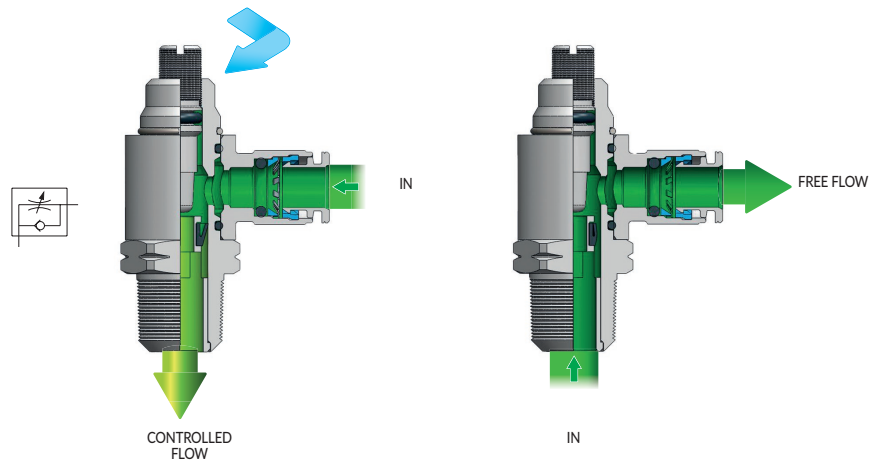
They can adjust the flow in a pneumatic circuit. Depending on the flow control used, the setting can be made both ways (Bidirectional Flow Control), or just one way (Unidirectional Flow Control). The Unidirectional Flow Control is particularly used to adjust the speed of pneumatic cylinders.

Possible Flow Adjustments

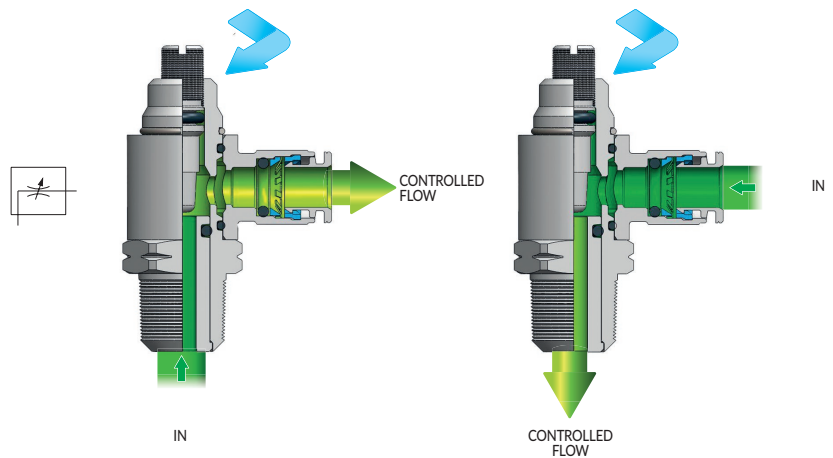
.../O = Meter out flow control



.../I = Meter in flow control



.../B = Bidirectional flow control



PVX 18

PVX
LINE

Flow control with swivelling push-in fitting

1 Body 2 Needle 3 Cartridge

Stainless steel AISI 316L (1.4404)

4 Seals

FPM

5 Push-in fittings

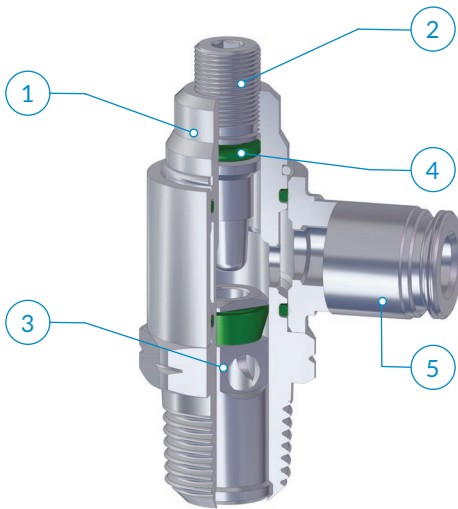
PX line push-in fittings



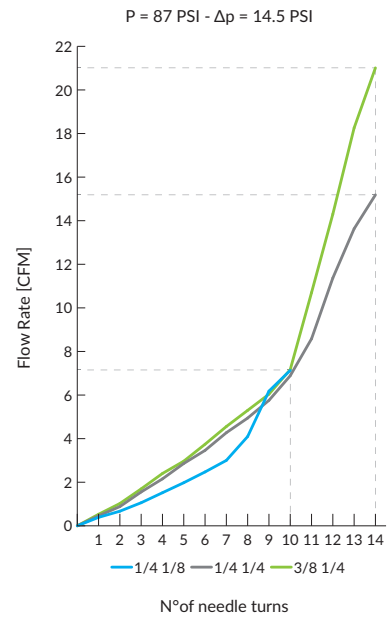
-4° ÷ 302°F



0 ÷ 145 PSI



The banjo ring swivels also after flow control installation.



Type	OD1	D1	D2	L1	L2	L3	L4 max	H1	oz	⚖️
18 1/4 1/8	1/4	1/8 NPTF	.472	.319	.831	.886	1.610	9/16	1.235	
18 1/4 1/4	1/4	1/4 NPTF	.472	.500	1.051	.945	1.933	11/16	-	
18 3/8 1/4	3/8	1/4 NPTF	.630	.500	1.051	1.063	1.933	11/16	-	



Available as:

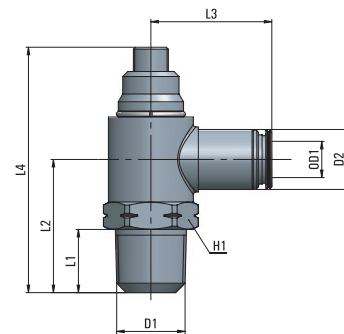
.../O = Meter Out



.../I = Meter In



.../B = Bidirectional



Recommended tubings:
PVDF and PTFE tubings.

Application field:
Pneumatic installations fed with filtered, lubricated air.

CO	67
MA	31
MM	115
PA	49
PE	45
PM	111
PN	19
PT	121
PU	55
PU Safety	59
PUX	101
PV	81
PVX	105
PX	95
Tool	129
Tubings	135

PVX 23

Check valve

1 Body
2 Valve

Stainless steel AISI 316L (1.4404)

3 Seals

FPM

4 Spring

Stainless steel AISI 302



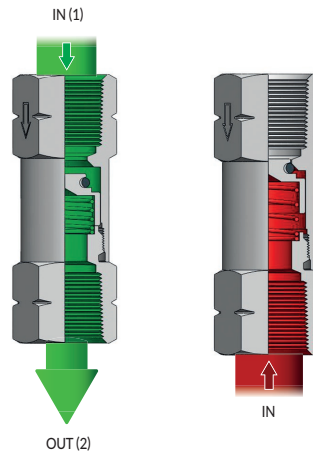
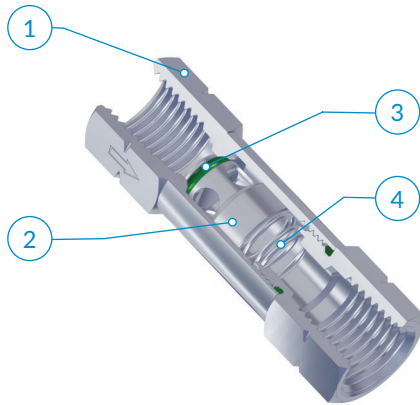
-4° ÷ 302°F



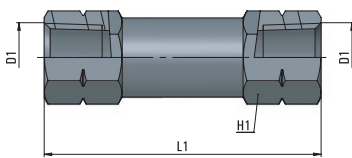
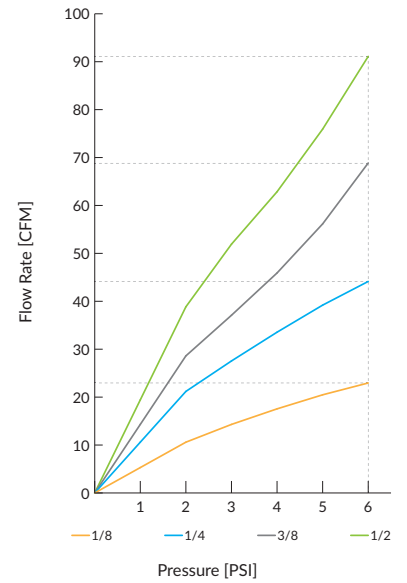
29 ÷ 145 PSI



2.9 PSI



P = 87 PSI - Δp = 14.5 PSI



Type	D1	L1	H1	oz
23 00 1/8	1/8 NPTF	1.681	.512	-
23 00 1/4	1/4 NPTF	2.165	.630	-
23 00 3/8	3/8 NPTF	2.244	.787	-
23 00 1/2	1/2 NPTF	2.559	.945	3.930



The flow is allowed only in one way (the arrow direction engraved on the body) and stopped in the reverse way.

Recommended tubings:

According to the fitting connected to the flow control.



Application field:

Pneumatic installations fed with filtered, lubricated air.

PVX 11

PVX
LINE

Air mufflers

	Body	Muffler		
PVX11-FE	Stainless Steel AISI 304	Stainless Steel AISI 304	0 ÷ 174 PSI	14° ÷ 302°F

CO 67

MA 31


MM 115

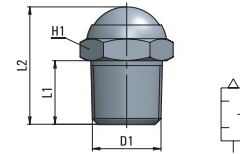
PA 49

PE 45

PVX 11

Air muffler with stainless steel wire

Type	D1	L1	L2	H1	oz 
11 00 1/8-FE	1/8 NPT	.295	.650	.512	.212
11 00 1/4-FE	1/4 NPT	.394	.807	.630	.420
11 00 3/8-FE	3/8 NPT	.433	.866	.748	.706
11 00 12-FE	1/2 NPT	.512	1.024	.945	.953



PM 111

PN 19

PT 121

PU 55

PU Safety 59

PUX 101

PV 81

PVX 105

PX 95

Tool 129

Tubings 135



cmatic