
BuzziMe

Product Specification Sheet

This document contains technical information about the BuzziMe

·BUZZI
SPACE

www.buzzi.space




Lounge Chair

Me, myself and I: there are times when you want to spend some time on your own in peace and quiet. BuzziMe is the ideal space to get away from it all. Belgian designer Axel Enthoven was responsible for an ingenious look that harmoniously combines functionality and ergonomics. Put two BuzziMe lounge chairs together for a private meeting. The acoustic absorption of the lounge chair reduces any external noise and vice versa: the perfect chair for lobbies, airports and offices - or your very own 'quiet' cocoon at home.

Design by Axel Enthoven

General

 BuzziMe Low | BuzziMe | BuzziMe Ottoman

Shell: Plywood Birch

Covered in fabric

Cushions: acoustic foam covered with fabric

backside: antiskid



seat: acoustic foam

back: acoustic foam

Cover upholstered in Fabric, Trevira CS+ | CS, Revive 1, Velvet, Clara 2, Remix 3, Hero, Tonus 4, Memory 2

Foot: Metal swivel base, powder coated in Umbra Grey (RAL 7022)

 Dry use

 Fully Assembled

... Bicolor (different color inside / outside) in same categorie, same collection

Tablet (left or right)

Acoustics



Absorption



Diffusion



Attenuation



Mid tone



High tone

Content

Configurations 3

Options 5

Fabrics 6

Dimensions 9

Configurations

BuzziMe Low

Shell: Plywood Birch

Covered in fabric

Cushions: acoustic foam covered with fabric

backside: antiskid

seat: acoustic foam

back: acoustic foam



Cover upholstered in Fabric, Trevira CS+ | CS, Revive 1, Velvet, Clara 2, Remix 3, Hero, Tonus 4, Memory 2

Foot: Metal swivel base, powder coated in Umbra Grey (RAL 7022)



W 71,5 cm D 93,5 cm H 95 cm
W 28.15" D 36.81" H 37.40"



45 kg | 99.21 lbs

Bicolor (different color inside / outside) in same categorie, same collection
Tablet left or right



BuzziMe

Shell: Plywood Birch

Covered in fabric

Cushions: acoustic foam covered with fabric

backside: acoustic antiskid

seat: acoustic foam

back: acoustic foam



Cover upholstered in Fabric, Trevira CS+ | CS, Revive 1, Velvet, Clara 2, Remix 3, Hero, Tonus 4, Memory 2

Foot: Metal swivel base, powder coated in Umbra Grey (RAL 7022)

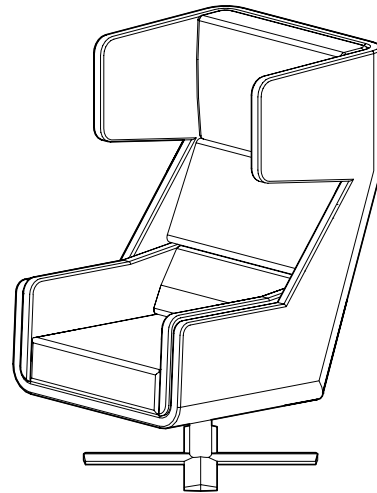


W 71,5 cm D 93,5 cm H 135 cm
W 28.15" D 36.81" H 53.15"



58 kg | 127.87 lbs

Bicolor (different color inside / outside) in same categorie, same collection
Tablet left or right



BuzziMe Ottoman

Shell: Plywood Birch

Covered in fabric

Cushions: acoustic foam

backside: antiskid

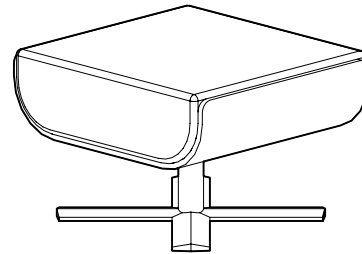
🌲 Cover upholstered in Fabric, Trevira CS+ | CS, Revive 1, Velvet, Clara 2, Remix 3, Hero, Tonus 4, Memory 2

Foot: Metal swivel base, powder coated in Umbra Grey (RAL 7022)

✂ W 67 cm D 71,5 cm H 44,5 cm
W 26.38" D 28.15" H 17.52"

⚖ 27,2 kg | 59.97 lbs

••• Bicolor (different color inside / outside)



Options

Tablet

Left or Right

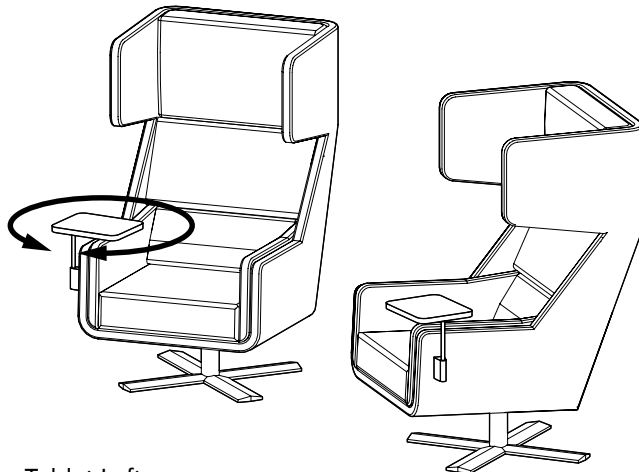
Rotatable

Powder coated metal in Umbra Grey (RAL 7022)

W 28 cm D 23 cm H 28,6 cm

W 11.02" D 9.06" H 11.26"

1,75 kg | 3.86 lbs



Tablet Left

Tablet Right

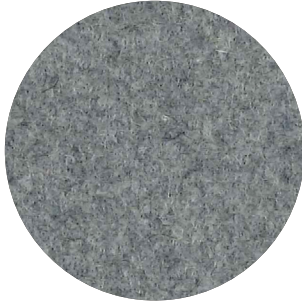
Bicolor

Different color inside / outside in same categorie, same collection



Fabrics

Fabric



Category A

Composition 70% Recycled Wool, 25% Recycled Polyacryl,
5% Recycled Other Fabrics

Weight 405 g/m² | 11.94 oz/yd²

Abrasion resistance 40.000 Martindale, 50,000 Wyzenbeek

Flammability EU: EN 1021.1/2006 | BS EN 1021.1/2006 (cigarette).
EN 1021.2/2006 | BS EN 1021.2/2006 (match)
USA: CAL TB 117 | ASTM E84 CLASS A

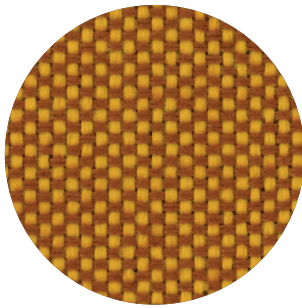
Fastness to light EU: 4 | USA 4

Fastness to rubbing EU: Wet 3-4 | Dry 4-5

Fastness to crocking USA: Wet 5 | Dry 5



Trevira CS+ | CS



Category A

Weight 420 g/m² | 12.39 oz/yd²

Composition 100% Polyester, Trevira CS

Abrasion resistance 100.000 Martindale, 90,000 Wyzenbeek

Flammability BS 5852 part II: CRIB 5 | BS 7176 Medium Hazard
USA: CAL TB 117 | M1 | B1 | EN 1021/1-2 | C1 |
IMO Res. A652 (16)

Fastness to light EU: 6 | USA 5

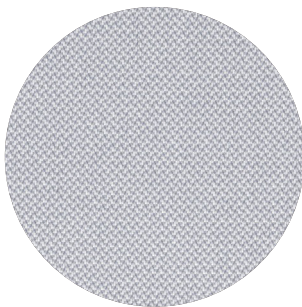
Fastness to rubbing EU: Wet 4-5 | Dry 4-5

Fastness to crocking USA: Wet 5 | Dry 5



Revive 1

kvadrat



Category A

Composition 100% recycled polyester FR

Weight 430 g/lin.m

Abrasion resistance 60.000 Martindale rubs, EN ISO 12947

Flammability EN 1021-1/2 | DIN 4102 B1 | Önorm B1/Q1
UNI 9175 1IM | US Cal. Tech. Bull. 117
IMO A.652 (16)

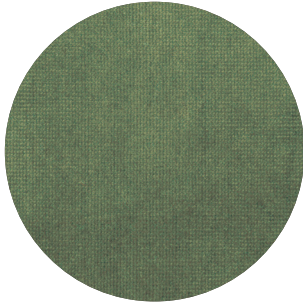
Fastness to light Note 5-7, ISO 105-B02

Fastness to rubbing (ISO) dry 5, wet 4-5

Pilling Note 4-5, EN ISO 12945



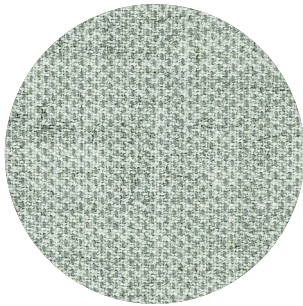
Velvet



Category B
Composition 100% PES
Weight 375 g/m² | 11.06 oz/yd²
Abrasion resistance > 100.000 Martindale
Fastness to light EU: 4-5
Fastness to rubbing EU: Wet 4 | Dry 4-5
Pilling EU: 4-5

Clara 2

kvadrat



Category B
Composition 92% new wool, 8% nylon
Weight 400 g/lin.m
Abrasion resistance 80.000 Martindale rubs, EN ISO 12947
Flammability EN 1021-1/2 | BS 5852, ignition source 2-3 | DIN 4102 B2
NF D 60 013 | UNI 9175 11M | US Cal. Tech. Bull. 117, Sec. E
NFPA 260 | IMO A.652(16)
Fastness to light Note 5-7, ISO 105-B02
Fastness to rubbing (ISO) dry 4-5, wet 4
Pilling Note 4, EN ISO 12945



Remix 3

kvadrat

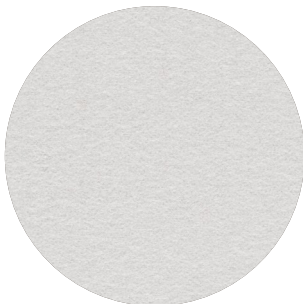


Category B
Composition 90% new wool, 10% nylon
Weight 415 g/lin.m
Abrasion resistance 100.000 Martindale rubs, EN ISO 12947
Flammability EN 1021-1/2 | BS 5852 part 1
Önorm B1/Q1 | NF D 60 013 | UNI 9175, 11M
AS/NZS 1530.3 | Cal. Tech. Bull. 117-2013
NFPA 260 | IMO FTP Code 2010:Part 8
Fastness to light Note 5-7, ISO 105-B02
Fastness to rubbing (ISO) dry 4-5, wet 4
Pilling Note 4, EN ISO 12945



Hero

kvadrat



Category C
Composition 96% new wool, 4% nylon
Weight 580 g/lin.m
Abrasion resistance 45.000 Martindale rubs, EN ISO 12947
Flammability EN 1021-1/2 | DIN 4102 B2 | NF D 60 013
UNI 9175 11M | US Cal. Bull. 117-2013 | NFPA 260
IMO A.652 (16)
Fastness to light Note 5-6, ISO 105-B02
Fastness to rubbing (ISO) dry 4-5, wet 4-5
Pilling Note 3-4, EN ISO 12945



Tonus 4

kvadrat



Category D

Composition 90% new wool, 10% Helanca

Weight 665 g/lin.m

Abrasion resistance 100.000 Martindale rubs, EN ISO 12947

Flammability EN 1021-1/2 | BS 5852 part 1 | DIN 4102 B2

Önorm B1/Q1 | NF D 60 013 | UNI 9175 11M

US Cal. Bull. 117-2013 | NFPA 260 | IMO A.652 (16)

Fastness to light Note 5-7, ISO 105-B02

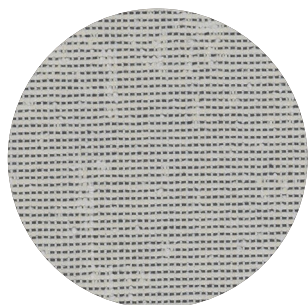
Fastness to rubbing (ISO) dry 3-5, wet 3-5

Pilling Note 3, EN ISO 12945



Memory 2

kvadrat



Category E

Composition 100% Trevira CS

Weight 700 g/lin.m

Abrasion resistance

35.000 rubs acc. to the Martindale method, EN ISO 12947

Flammability EN 1021-1/2 | DIN 4102 B1 | Önorm B1/Q1

NF D 60 013 | NF P 92 507 M1 | UNI 9175 11M

UNI 9177 classe 1 | US Cal. Tech. Bull. 117

IMO A.652 (16)

Fastness to light Note 5-8, ISO 105-B02

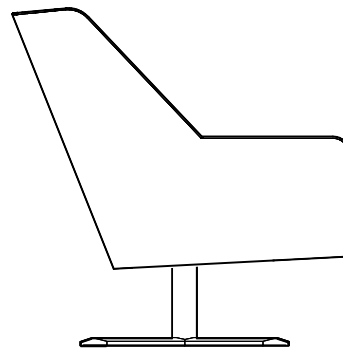
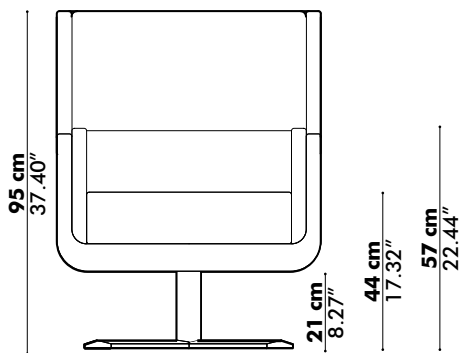
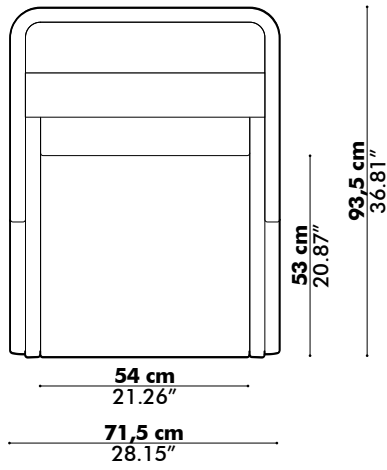
Fastness to rubbing (ISO) dry 4-5, wet 4-5

Pilling Note 4, EN ISO 12945

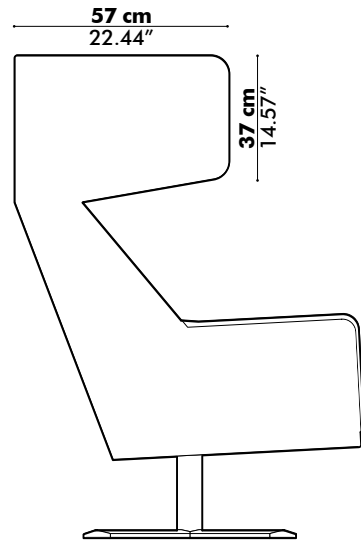
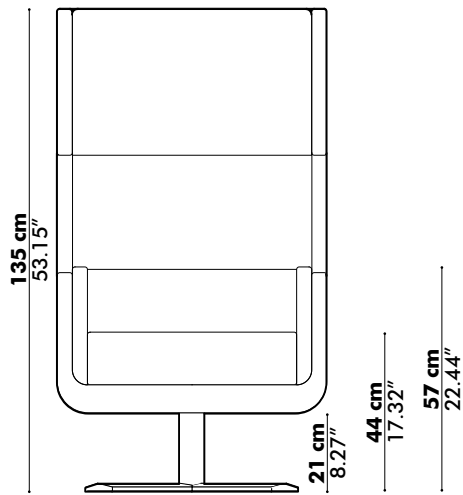
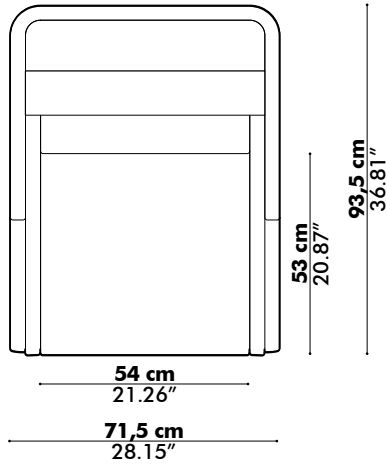


Dimensions

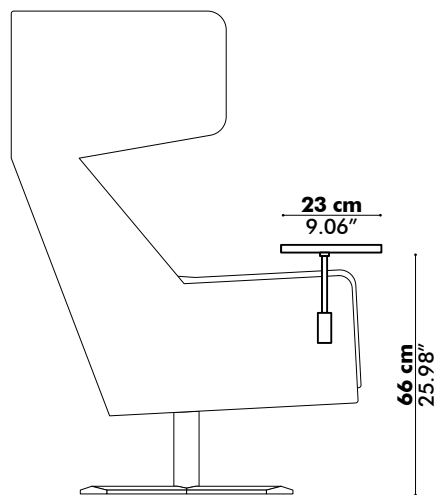
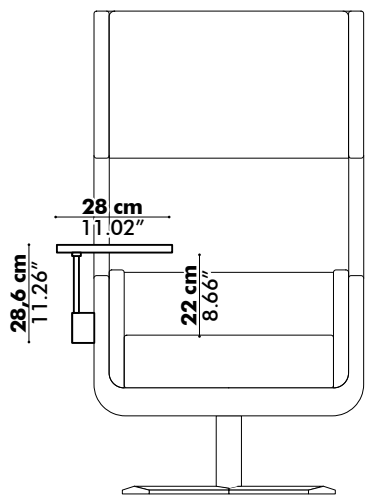
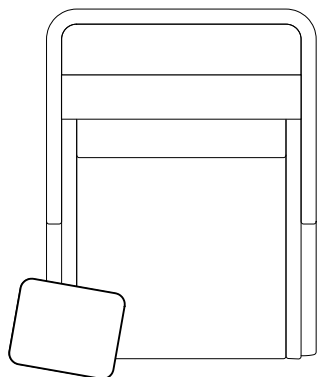
BuzziMe Low



BuzziMe



Tablet (optional)



BuzziMe Ottoman

