

---

# BuzziPeb!

## Product Specification Sheet

---

This document contains technical information about the BuzziPeb!



[www.buzzi.space](http://www.buzzi.space)





## Create a serene environment

BuzziPebl is crafted from our signature high-performant foam and can be upholstered in a range of high-quality fabrics. Depending on your needs, the acoustic panel can be ceiling-suspended or wall-mounted. BuzziPebl is available in two shapes and two sizes, so you can easily mix and match.

Design by BuzziSpace Studio

---

## General

-  BuzziPebl One | Two  
Wall Mounted | Ceiling Suspended
-  Upholstered acoustic foam element with MDF backing  
Cover: Fabric, Tonus 4
-  Dry Use
-  Assembled

---

## Acoustics



Absorption



Low tone



Mid tone



High tone

---

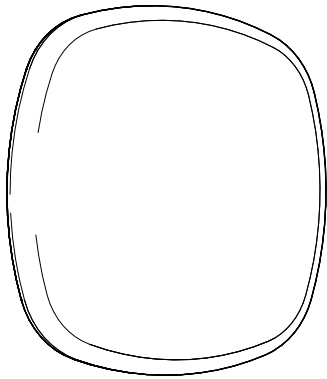
## Content

Configurations	3
Fabrics	4
Fixing Systems	5
Dimensions	6

# Configurations

---

## BuzziPebl One



Upholstered acoustic foam element with MDF backing  
Cover: Fabric, Tonus 4

Medium: Width: 78 cm | 30.71"

Height: 78 cm | 30.71"

Depth: 7 cm | 2.76"



Large: Width: 115 cm | 45.28"

Height: 115 cm | 45.28"

Depth: 7 cm | 2.76"

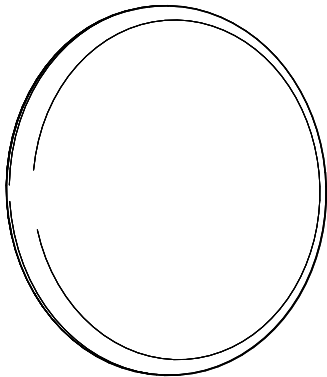


Medium: 5,2 kg | 11.46 lbs

Large: 11,5 kg | 25.35 lbs

---

## BuzziPebl Two



Upholstered acoustic foam element with MDF backing  
Cover: Fabric, Tonus 4

Medium: Ø: 78 cm | 30.71"

Depth: 7 cm | 2.76"



Large: Ø: 115 cm | 45.28"

Depth: 7 cm | 2.76"

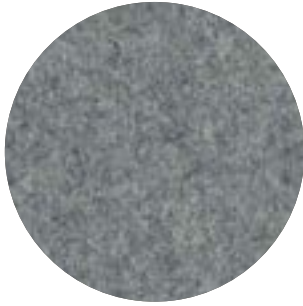


Medium: 5 kg | 11.02 lbs

Large: 10 kg | 22.05 lbs

# Fabrics

## Fabric (45 colors)



**Category A**

**Composition** 70% Recycled Wool, 25% Recycled Polyacryl,  
5% Recycled Other Fabrics

**Weight** 405 g/m<sup>2</sup> | 11.94 oz/yd<sup>2</sup>

**Abrasion resistance** 40.000 Martindale, 50,000 Wyzenbeek

**Flammability** EU: EN 1021.1/2006 | BS EN 1021.1/2006 (cigarette).  
EN 1021.2/2006 | BS EN 1021.2/2006 (match)  
USA: CAL TB 117 | ASTM E84 CLASS A

**Fastness to light** EU: 4 | USA 4

**Fastness to rubbing** EU: Wet 3-4 | Dry 4-5

**Fastness to crocking** USA: Wet 5 | Dry 5



## Tonus 4 (47 colors)

kvadrat



**Category D**

**Composition** 90% new wool, 10% Helanca

**Weight** 665 g/lin.m

**Abrasion resistance** 100.000 Martindale rubs, EN ISO 12947

**Flammability** EN 1021-1/2 | BS 5852 part 1 | DIN 4102 B2  
Önorm B1/Q1 | NF D 60 013 | UNI 9175 11M  
US Cal. Bull. 117-2013 | NFPA 260 | IMO A.652 (16)

**Fastness to light** Note 5-7, ISO 105-B02

**Fastness to rubbing** (ISO) dry 3-5, wet 3-5

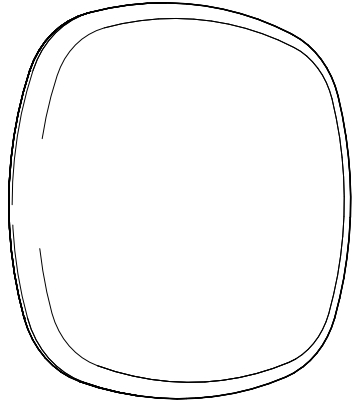
**Pilling** Note 3, EN ISO 12945



# Fixing Systems

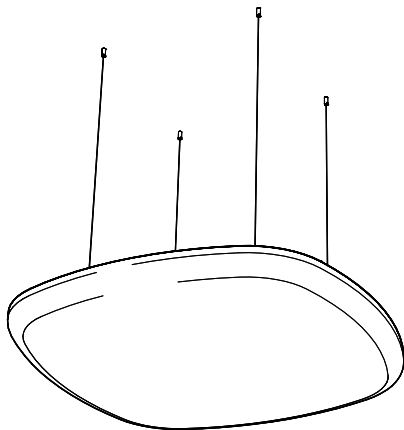
---

## Wall Mounted (included)



According to the specifications of the wall, it's recommended to use the appropriate plugs.

## Ceiling Suspended (included)



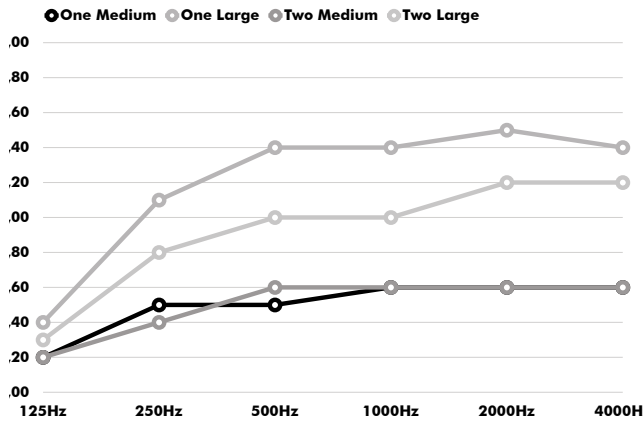
Black or Alu cables of 2 or 5 m | 78.74" or 196.85"

Minimum distance from ceiling is 8 cm | 3.15" for Medium and 10 cm | 3.94" for the large version.

If installing on suspended ceiling, verify load capacity prior to installation.

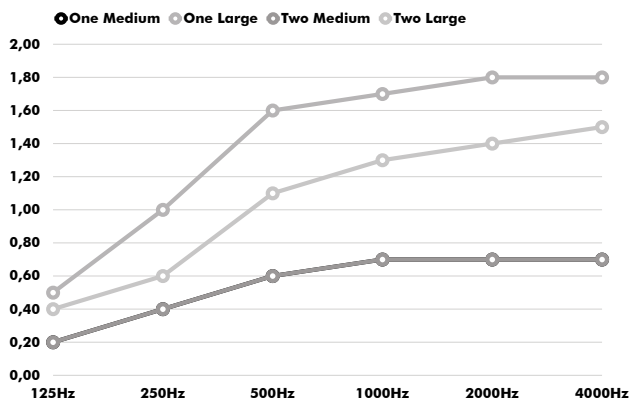
# Acoustics

## BuzziPebl Wall Mounted Equivalent sound absorption area in m<sup>2</sup> per object



Hz	One Medium Aeq/m <sup>2</sup>	One Large Aeq/m <sup>2</sup>	Two Medium Aeq/m <sup>2</sup>	Two Large Aeq/m <sup>2</sup>
125	0.20	0.40	0.20	0.30
250	0.50	1.10	0.40	0.80
500	0.50	1.40	0.60	1.00
1000	0.60	1.40	0.60	1.00
2000	0.60	1.50	0.60	1.20
4000	0.60	1.40	0.60	1.20

## BuzziPebl Suspended Equivalent sound absorption area in m<sup>2</sup> per object

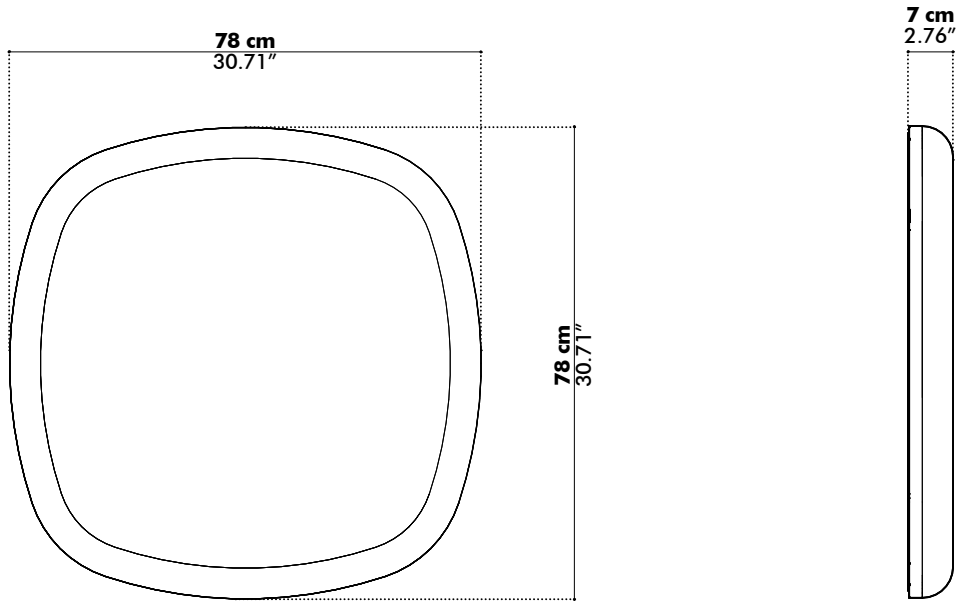


Hz	One Medium Aeq/m <sup>2</sup>	One Large Aeq/m <sup>2</sup>	Two Medium Aeq/m <sup>2</sup>	Two Large Aeq/m <sup>2</sup>
125	0.20	0.50	0.20	0.40
250	0.40	1.00	0.40	0.60
500	0.60	1.60	0.60	1.10
1000	0.70	1.70	0.70	1.30
2000	0.70	1.80	0.70	1.40
4000	0.70	1.80	0.70	1.50

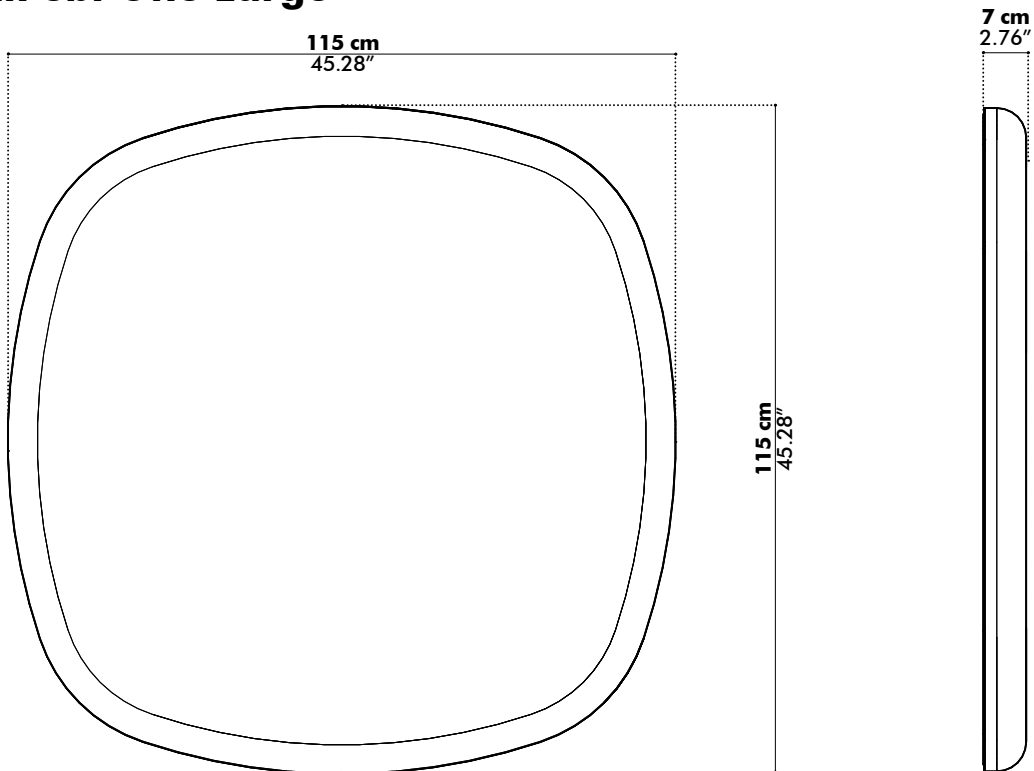
# Dimensions BuzziPebl

---

## BuzziPebl One Medium

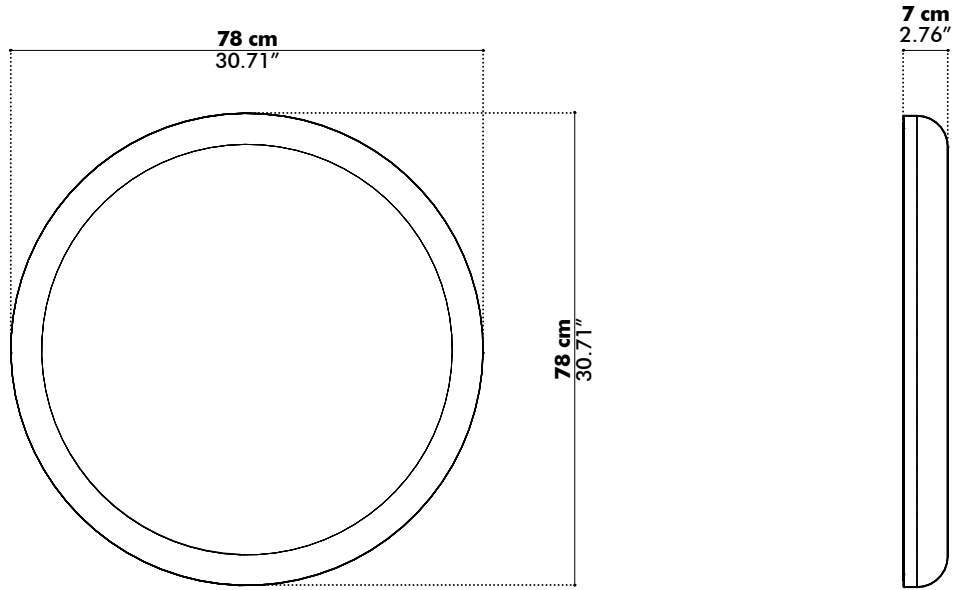


## BuzziPebl One Large



---

## BuzziPeb1 Two Medium



---

## BuzziPeb1 Two Large

