
BuzziTemp

Product Specification Sheet

This document contains technical information about the BuzziTemp






Temporary workstation

The BuzziTemp is a temporary workspace. The idea is to bring more dynamic to a space and allow the creation of small islands where people can come to connect or concentrate.

The straight sides create the possibility to generate straight office lines by using multiple BuzziTemp units together. At the same time it is offering you the necessary privacy whilst staying connected with the office environment.

Design by Alain Gilles

General

-  S | M
Pattern: Flat | 3D (outside)
-  Core: Poplar plywood: 18 mm | 0.71"
Cover: Acoustic foam covered with fabric
Frame: Metal powder coated Umbra Grey (RAL 7022)
-  Bicolor
Worktop in Antwerp Oak, without or with cable tray
LED light (only in combination with cable tray)
Set of alu brackets for customer-own worktop

Acoustics



Absorption



Diffusion



Attenuation



Mid tone



High tone

Content

Configurations	3
Composition	4
Option BackLight	5
Fabrics	6
Dimensions	9
Dimensions Worktop	10

Configurations

BuzziTemp



S | M

Pattern: Flat | 3D (outside)



Core: Poplar plywood: 18 mm | 0.71"

Cover: Acoustic foam covered with fabric

Frame: Metal powder coated Umbra Grey (RAL 7022)

S: W 125 cm D 115 cm H 120 or 135 cm
W 49.21" D 45.28" H 47.24" or 53.15"



M: W 165 cm D 115 cm H 120 or 135 cm
W 64.96" D 45.28" H 47.24" or 53.15"

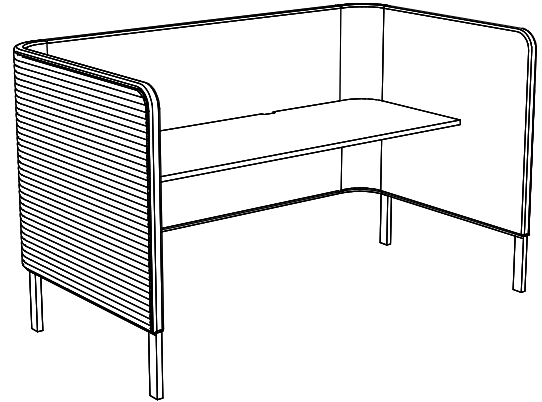
Bicolor



Worktop in Antwerp Oak*, without or with cable tray

LED light (only in combination with cable tray)

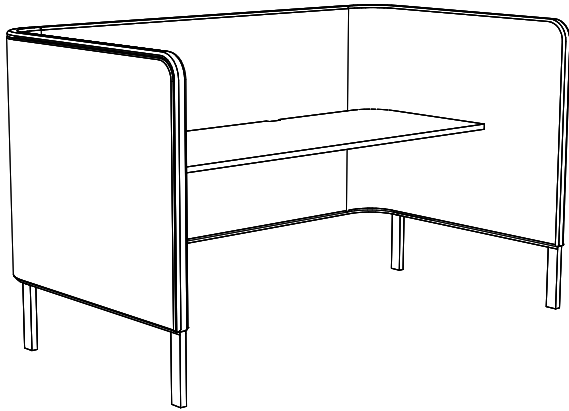
Set of alu brackets for customer-own worktop



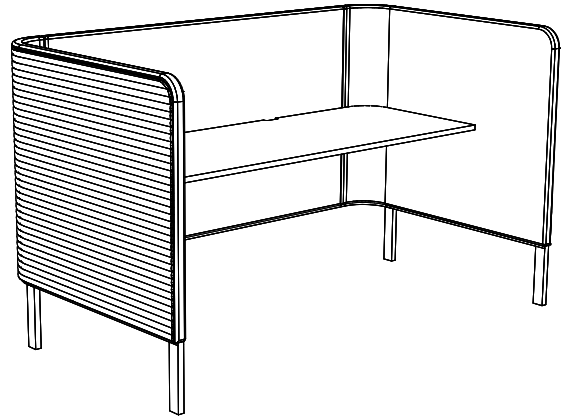
*These solid wood worktops may contain knots, natural color variations and drying splits as normal features of the product. This contributes to the uniqueness of each worktop.

Composition

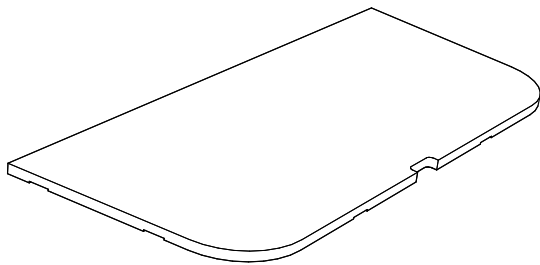
Flat



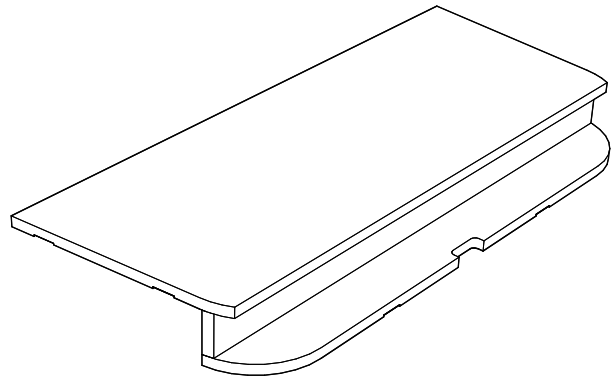
3D



Worktop Without Cable Tray








Worktop With Cable Tray



Option BackLight (only in combination with cable tray)



General

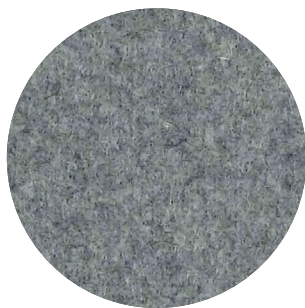
-  Connectable integrated LED tube
Located in the cable tray
-  Material: Aluminium body, Clear PC cover
Power Cable White
1 On-Off switch / element
-  LED: SMD3014
Color temperature: 3000 Kelvin
Input Voltage / Frequency: 100 - 277 V 50/60 Hz
incl. 4 m | 157.48" White Power cable
-  Mounting clips
Connector accessories
-  cULus Listed E471267 or ETL Certified
CE

BuzziTemp

	Small	Medium
Qty LED tubes	1	2
Total wattage	7W	14W
LED tube dimensions	55,5 cm 21.85"	110 cm 43.31"
Total lumen	700	1400
Power cable (4m)	1	1

Fabrics

Fabric (45 colors)



Category A

Composition 70% Recycled Wool, 25% Recycled Polyacryl,
5% Recycled Other Fabrics

Weight 405 g/m² | 11.94 oz/yd²

Abrasion resistance 40.000 Martindale, 50,000 Wyzenbeek

Flammability EU: EN 1021.1/2006 | BS EN 1021.1/2006 (cigarette).
EN 1021.2/2006 | BS EN 1021.2/2006 (match)
USA: CAL TB 117 | ASTM E84 CLASS A

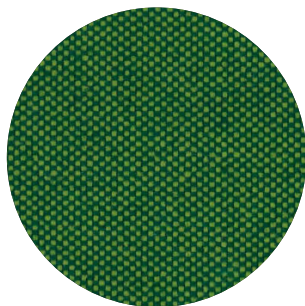
Fastness to light EU: 4 | USA 4

Fastness to rubbing EU: Wet 3-4 | Dry 4-5

Fastness to crocking USA: Wet 5 | Dry 5



Trevira CS+ | CS (47 colors)



Category A

Weight 420 g/m² | 12.39 oz/yd²

Composition 100% Polyester, Trevira CS

Abrasion resistance 100.000 Martindale, 90,000 Wyzenbeek

Flammability BS 5852 part II: CRIB 5 | BS 7176 Medium Hazard
USA: CAL TB 117 | M1 | B1 | EN 1021/1-2 | C1 |
IMO Res. A652 (16)

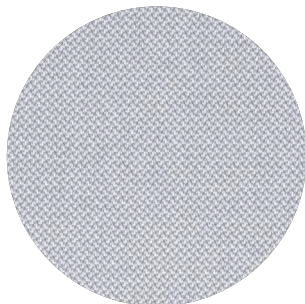
Fastness to light EU: 6 | USA 5

Fastness to rubbing EU: Wet 4-5 | Dry 4-5

Fastness to crocking USA: Wet 5 | Dry 5



Revive 1 (25 colors)



Category A

Composition 100% recycled polyester FR

Weight 430 g/lin.m

Abrasion resistance 60.000 Martindale rubs, EN ISO 12947

Flammability EN 1021-1/2 | DIN 4102 B1 | Önorm B1/Q1
UNI 9175 11M | US Cal. Tech. Bull. 117
IMO A.652 (16)

Fastness to light Note 5-7, ISO 105-B02

Fastness to rubbing (ISO) dry 5, wet 4-5

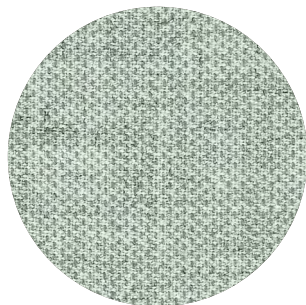
Pilling Note 4-5, EN ISO 12945



kvadrat

Clara 2 (24 colors)

kvadrat



Category B

Composition 92% new wool, 8% nylon

Weight 400 g/lin.m

Abrasion resistance 80.000 Martindale rubs, EN ISO 12947

Flammability EN 1021-1/2 | BS 5852, ignition source 2-3 | DIN 4102 B2
NF D 60 013 | UNI 9175 11M | US Cal. Tech. Bull. 117, Sec. E
NFPA 260 | IMO A.652(16)

Fastness to light Note 5-7, ISO 105-B02

Fastness to rubbing (ISO) dry 4-5, wet 4

Pilling Note 4, EN ISO 12945



Remix 3 (73 colors)

kvadrat



Category B

Composition 90% new wool, 10% nylon

Weight 415 g/lin.m

Abrasion resistance 100.000 Martindale rubs, EN ISO 12947

Flammability EN 1021-1/2 | BS 5852 part 1
Önorm B1/Q1 | NF D 60 013 | UNI 9175, 11M
AS/NZS 1530.3 | Cal. Tech. Bull. 117-2013
NFPA 260 | IMO FTP Code 2010:Part 8

Fastness to light Note 5-7, ISO 105-B02

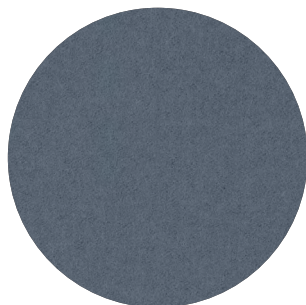
Fastness to rubbing (ISO) dry 4-5, wet 4

Pilling Note 4, EN ISO 12945



Hero 2 (33 colors)

kvadrat



Category C

Composition 97% new wool, 3% nylon

Weight 580 g/lin.m

Abrasion resistance 45.000 Martindale rubs, EN ISO 12947

Flammability EN 1021-1/2 | DIN 4102 B2 | NF D 60 013
UNI 9175 11M | US Cal. Bull. 117-2013 | NFPA 260
IMO A.652 (16)

Fastness to light Note 5-6, ISO 105-B02

Fastness to rubbing (ISO) dry 4-5, wet 4-5

Pilling Note 3-4, EN ISO 12945



Tonus 4 (47 colors)

kvadrat



Category D

Composition 90% new wool, 10% Helanca

Weight 665 g/lin.m

Abrasion resistance 100.000 Martindale rubs, EN ISO 12947

Flammability EN 1021-1/2 | BS 5852 part 1 | DIN 4102 B2

Önorm B1/Q1 | NF D 60 013 | UNI 9175 11M

US Cal. Bull. 117-2013 | NFPA 260 | IMO A.652 (16)

Fastness to light Note 5-7, ISO 105-B02

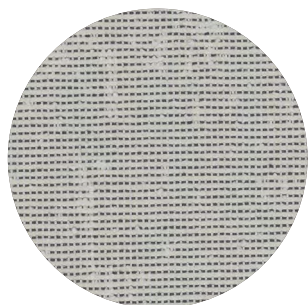
Fastness to rubbing (ISO) dry 3-5, wet 3-5

Pilling Note 3, EN ISO 12945



Memory 2 (20 colors)

kvadrat



Category E

Composition 100% Trevira CS

Weight 700 g/lin.m

Abrasion resistance

35.000 rubs acc. to the Martindale method, EN ISO 12947

Flammability EN 1021-1/2 | DIN 4102 B1 | Önorm B1/Q1

NF D 60 013 | NF P 92 507 M1 | UNI 9175 11M

UNI 9177 classe 1 | US Cal. Tech. Bull. 117

IMO A.652 (16)

Fastness to light Note 5-8, ISO 105-B02

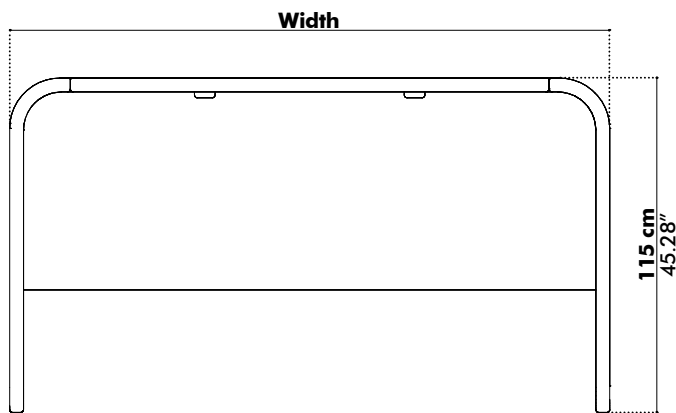
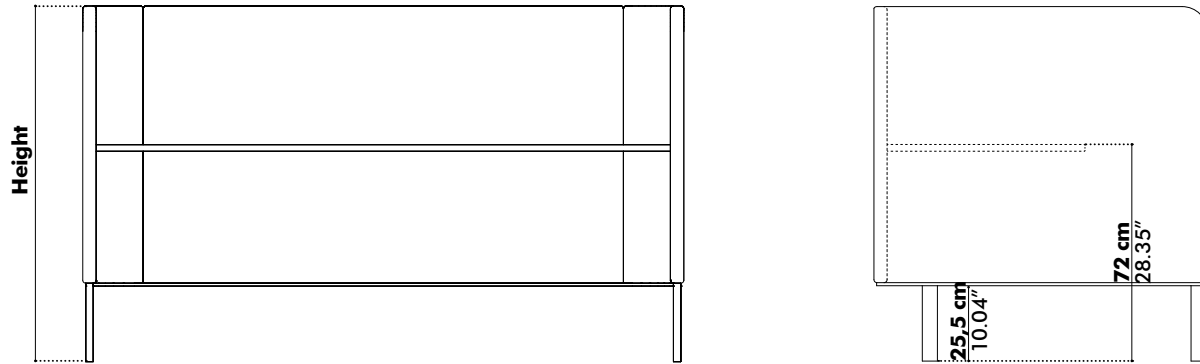
Fastness to rubbing (ISO) dry 4-5, wet 4-5

Pilling Note 4, EN ISO 12945



Dimensions

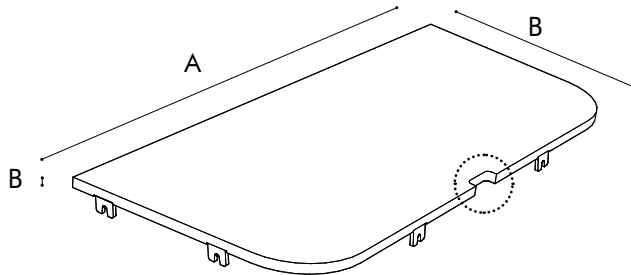
BuzziTemp



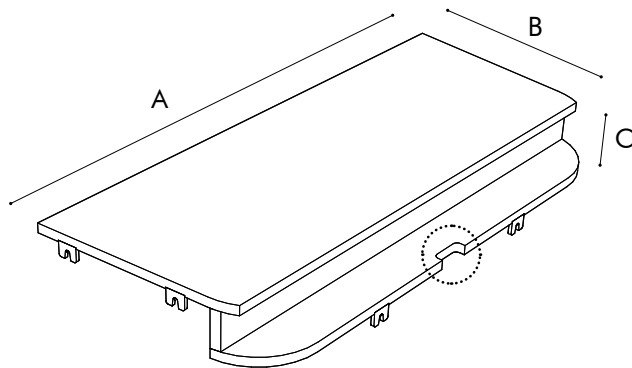
	Width		Height	
S	125 cm	49.21"	120 cm	47.24"
M	165 cm	64.96"	135 cm	53.15"

Dimensions Worktop

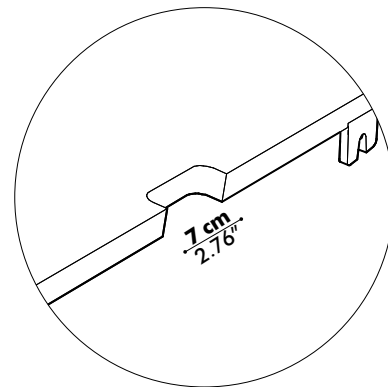
Worktop in Antwerp Oak
without cable tray



Worktop in Antwerp Oak
with cable tray



Detail



BuzziTemp

		'A' Width	'B' Depth	'C' Height
Worktop in Antwerp Oak without cable tray	S	114 cm 44.88"	67 cm 26.38"	2 cm 0,79"
	M	154 cm 60.63"		
Worktop in Antwerp oak with cable tray	S	114 cm 44.88"	67 cm 26.38"	22 cm 8.66"
	M	154 cm 60.63"		