



## Product Specification Sheet

### **BuzziJet US**

— By BuzziSpace Studio

#### **Powerful acoustic circle of light**

Form follows function with BuzziJet, an intentionally simple design based on the principles of geometric acoustics. Wide in diameter, this cylindrical design allows sound waves to bounce back-and-forth within the radius of its circular body, and in turn mitigates noise. BuzziJet is considerable in size, yet appears lightweight and airy thanks to its upholstered foam core. Its soft presence evokes a majestic sense of serenity. Concealed inside the body, a powerful light source emits warm, pleasant light.



# The Family

## Models

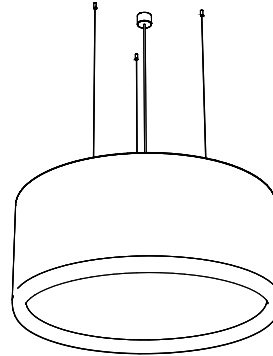
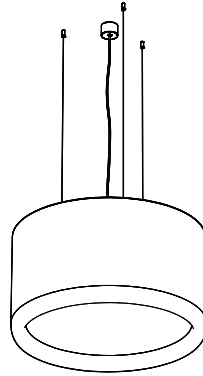
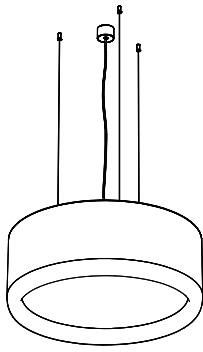
BuzziJet S

BuzziJet M

BuzziJet XL

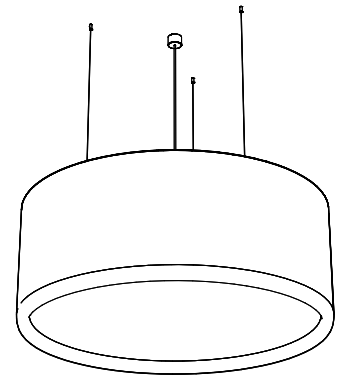
BuzziJet XXL

LED Disk  
Ø 470



Lighting Units

LED Disk  
Ø 670



Required order information

1. Size
2. Fabric (CAT -> Collection -> Color)
3. Mounting Option



# Lighting Data

---

## Lighting Unit

### LED Disk



The Milky PMMA diffusor (UGR 22) ensures an optimal light spread and efficiency. It creates a very diffuse light surface without any dottiness.

The light source of the BuzziJet is a LED PCB, containing 104 medium power LED's for the S | M | XL and for the XXL 248 medium power LED's

# BuzziJet Suspended Lighting Options

Models: S | M | XL

Options				Characteristics		Mounting
Voltage Input	Color Temperature	UGR (Diffuser type)	Dimming	Technical	Visual	Options
120V	3000K	22 (milky)	1-10V	Power consumption: 29W Light output: 2545 Lm Efficacy: 88 Lm/W CRI: > 90	Color: Power Cable: Transparent Ceiling Canopy: White	Ceiling Suspended  Straight: 3 cables 78.74" or 157.48" Alu or Black  Split (only S M): 1 cable splits in 3 78.74" or 157.48" Alu or Black
			Dali	Power consumption: 35W Light output: 3170 Lm Efficacy: 91 Lm/W CRI: > 90		
	4000K	22 (milky)	1-10V	Power consumption: 35W Light output: 3600 Lm Efficacy: 103 Lm/W CRI: > 90	Color: Power Cable: Black Ceiling Canopy: Black	Ceiling Suspended  Straight: 3 cables 78.74" or 196.85" Alu or Black  Split (only S M): 1 cable splits in 3 78.74" or 196.85" Alu or Black
			Dali	Power consumption: 35W Light output: 3400 Lm Efficacy: 9 Lm/W CRI: > 90		
277V	3000K	22 (milky)	1-10V	Power consumption: 29W Light output: 2545 Lm Efficacy: 88 Lm/W CRI: > 90	Color: Power Cable: Transparent Ceiling Canopy: White	Ceiling Suspended  Straight: 3 cables 78.74" or 157.48" Alu or Black  Split (only S M): 1 cable splits in 3 78.74" or 157.48" Alu or Black
			Dali	Power consumption: 35W Light output: 3660 Lm Efficacy: 105 Lm/W CRI: > 90		

Models: XXL

Options				Characteristics		Mounting
Voltage Input	Color Temperature	UGR (Diffuser type)	Dimming	Technical	Visual	Options
120/277V	3000K	22 (milky)	1-10V	Power consumption: 70W Light output: 6232 Lm Efficacy: 89 Lm/W CRI: > 90	Color: Power Cable: Transparent Ceiling Canopy: White	Ceiling Suspended  Straight: 3 cables 78.74" or 157.48" Alu or Black

\* To achieve a UGR 19, the product is fitted with a Prismatic diffuser instead of a milky diffuser. LED dots will be visible.

# BuzziJet Ceiling Mounted Lighting Options

Models: S | M

Options		Characteristics			Mounting
Voltage Input	Color Temperature	UGR (Diffuser type)	Dimming	Technical	Options
120V	3000K	22 (milky)	1-10V Dali	Power consumption: 35W Light output: 3170 Lm Efficacy: 91 Lm/W CRI: > 90	Ceiling Mounted
		19 (prismatic)*	1-10V Dali	Power consumption: 35W Light output: 3600 Lm Efficacy: 103 Lm/W CRI: > 90	
	4000K	22 (milky)	1-10V Dali	Power consumption: 35W Light output: 3400 Lm Efficacy: 97 Lm/W CRI: > 90	
		19 (prismatic)*	1-10V Dali	Power consumption: 35W Light output: 3660 Lm Efficacy: 105 Lm/W CRI: > 90	

\* To achieve a UGR 19, the product is fitted with a Prismatic diffuser instead of a milky diffuser. LED dots will be visible.

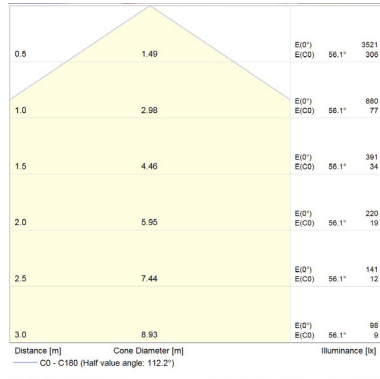


PEFC PEFC/07-32-385

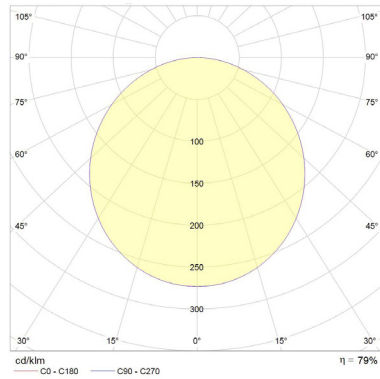
# Photometric Data

## BuzziJet S | M | XL LED Disk Ø 470

LED Disk Ø 470 Cartesian diagram

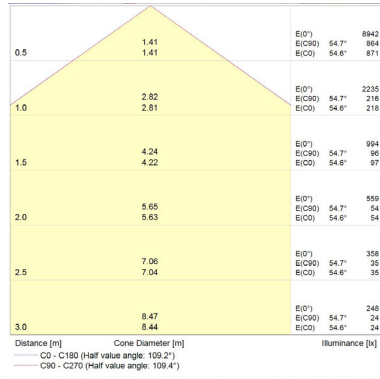


LED Disk Ø 470 Polar curve

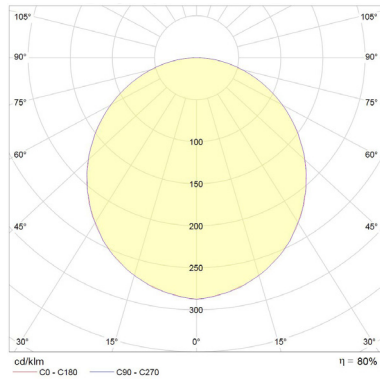


## BuzziJet XXL LED Disk Ø 670

LED Disk Ø 670 Cartesian diagram



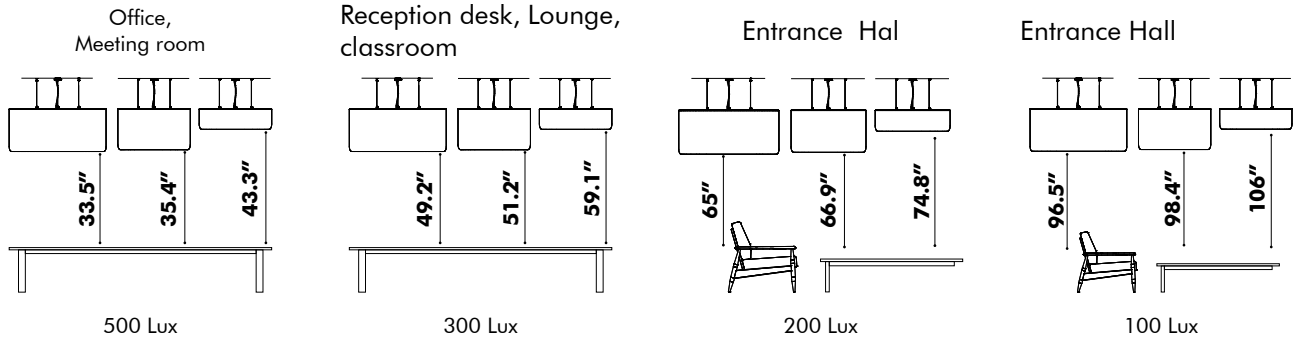
LED Disk Ø 670 Polar curve



# Tips and Tricks - Light Options

To enlighten your workplace with optimal lux levels take following measurements into account:

## BuzziJet S | M | XL

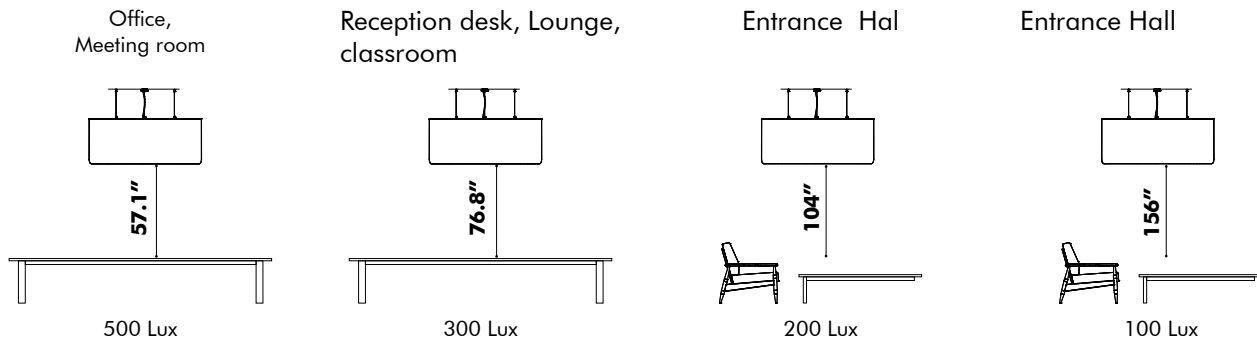


To ensure a continuous light spread into account take following distances inbetween the BuzziJets S | M | XL



\* According to EN12464

## BuzziJet XXL



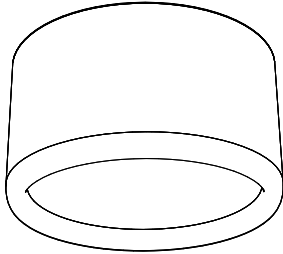
\* According to EN12464

# Product Data

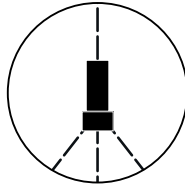
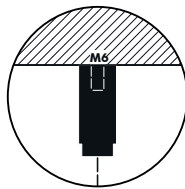
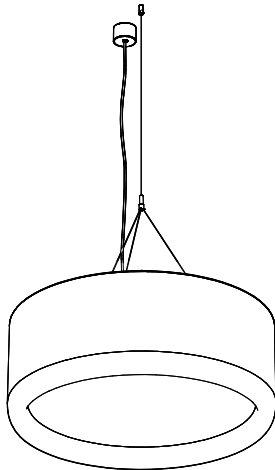
---

## Fixing System

**Ceiling Mounted (only available for BuzziJet S | M )**

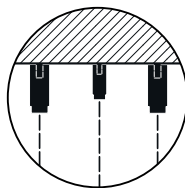
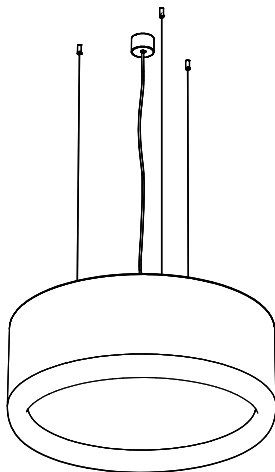


**Ceiling Suspended Split (only available for BuzziJet S | M )**



Ceiling Suspended Split  
Fixing System Screw with 3 split cables and 1 main cable, total length of 78.74" or 157.48" (black or alu)  
Min. distance of shade to ceiling is 19.70"

**Ceiling Suspended Straight**



Ceiling Suspended Straight  
Fixing System Screw with 3 cables of 78.74" or 157.48" (black or alu)  
Min. distance of shade to ceiling is 3.90"

**▲** If installing on suspended ceiling, verify load capacity prior to installation.



---

## Acoustic Shade



The acoustic shade is upholstered top to bottom in a chosen fabric.

The light source is wrapped with an upholstered ring in the same fabric as the acoustic shade.



Absorption



Diffusion



Low tone



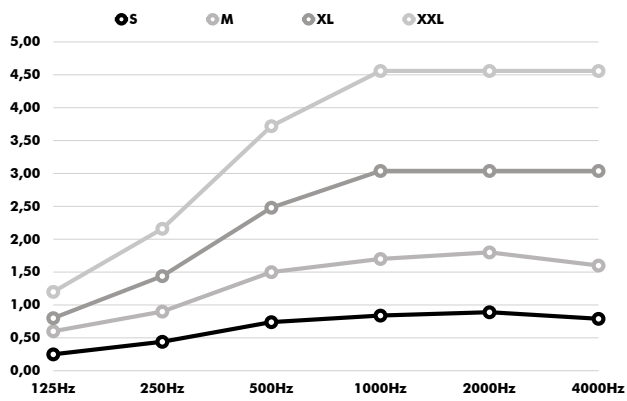
Mid tone



High tone

# Acoustics

## BuzziJet Equivalent sound absorption area in m<sup>2</sup> per object



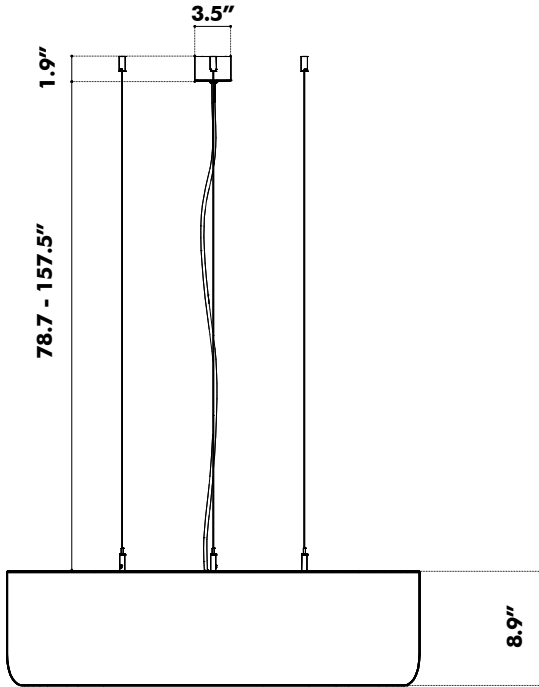
Hz	S Aeq/m <sup>2</sup>	M Aeq/m <sup>2</sup>	XL Aeq/m <sup>2</sup>	XXL Aeq/m <sup>2</sup>
125	0.25	0.60	0.80	1.20
250	0.44	0.90	1.44	2.16
500	0.74	1.50	2.48	3.72
1000	0.84	1.70	3.04	4.56
2000	0.89	1.80	3.04	4.56
4000	0.79	1.60	3.04	4.56

---

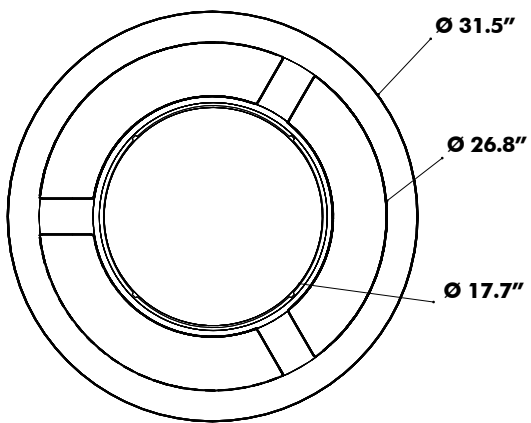
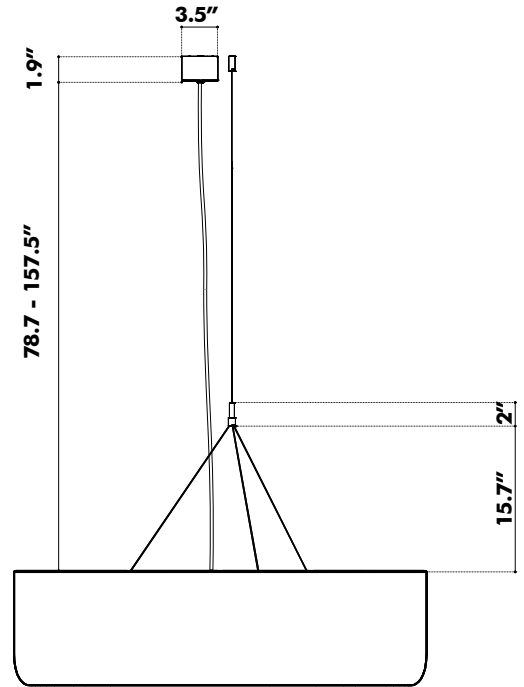
# Dimensions

## BuzziJet Ceiling Suspended S

### Straight

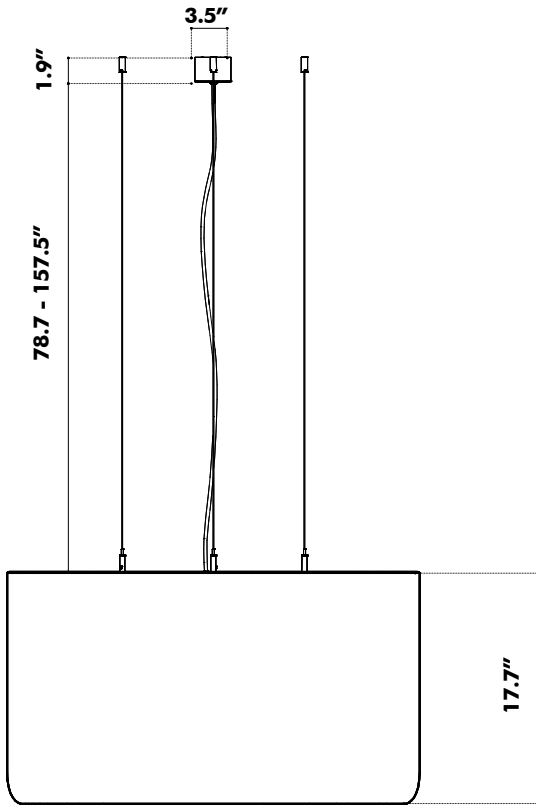


### Split

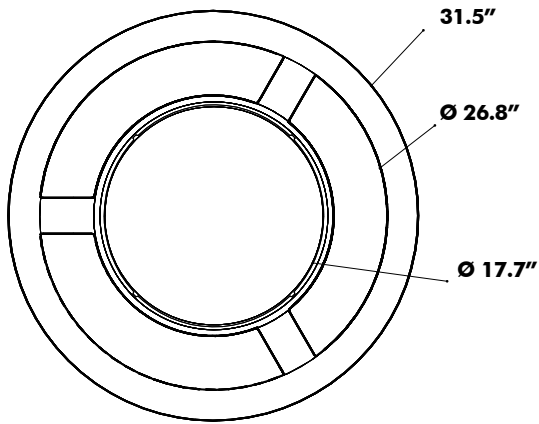
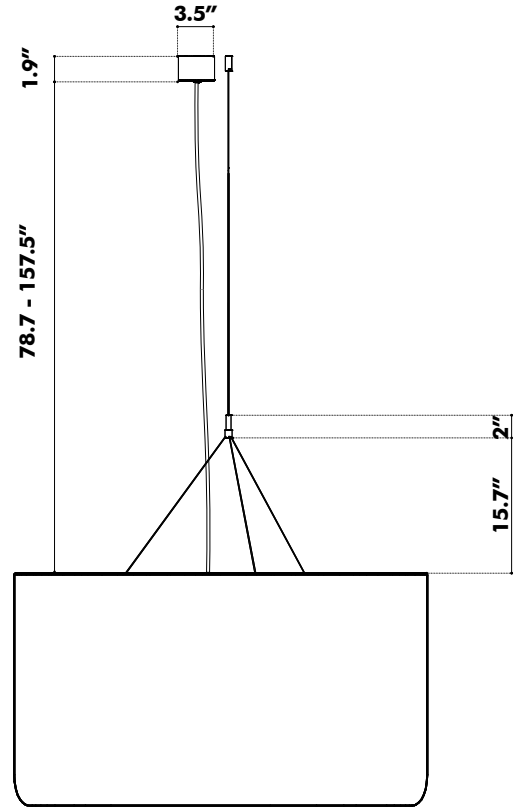


# BuzziJet Ceiling Suspended M

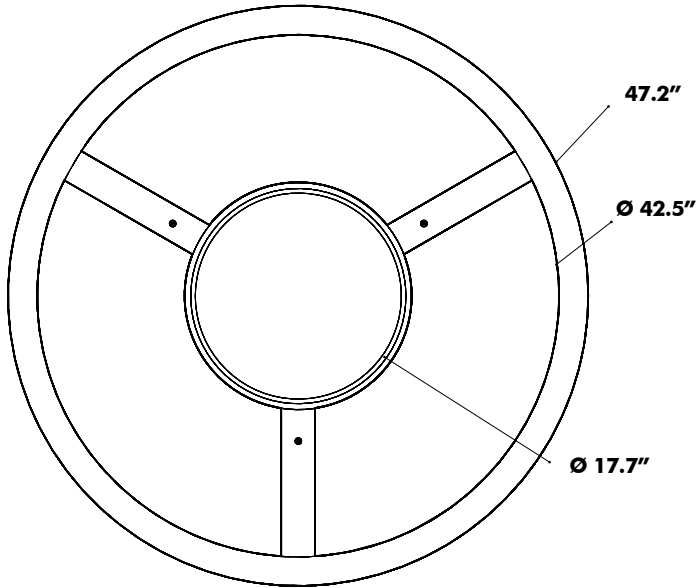
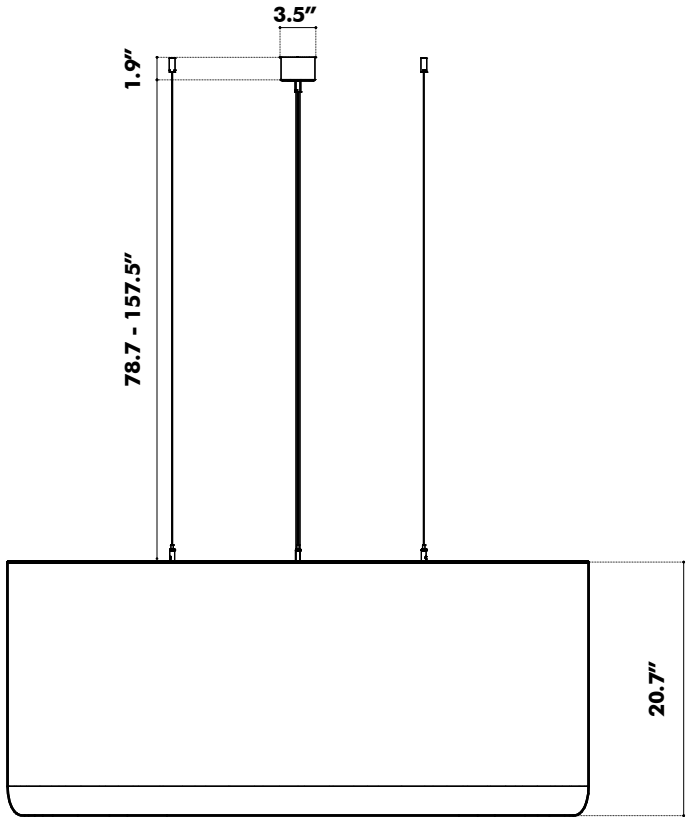
## Straight



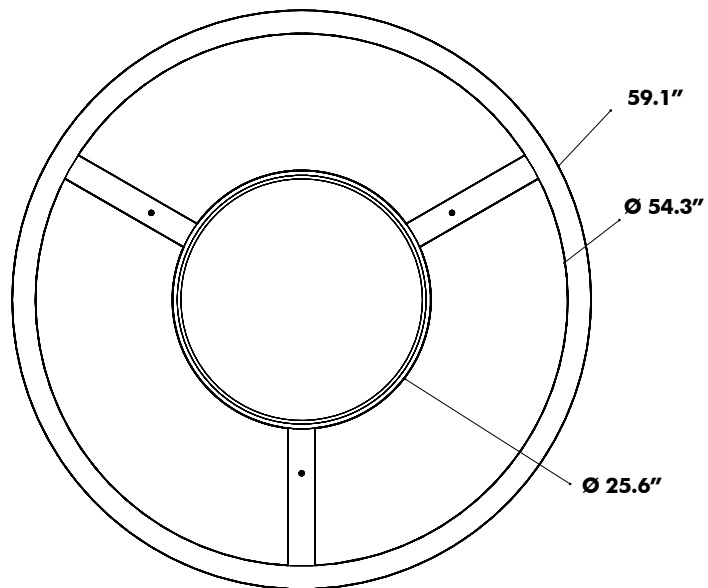
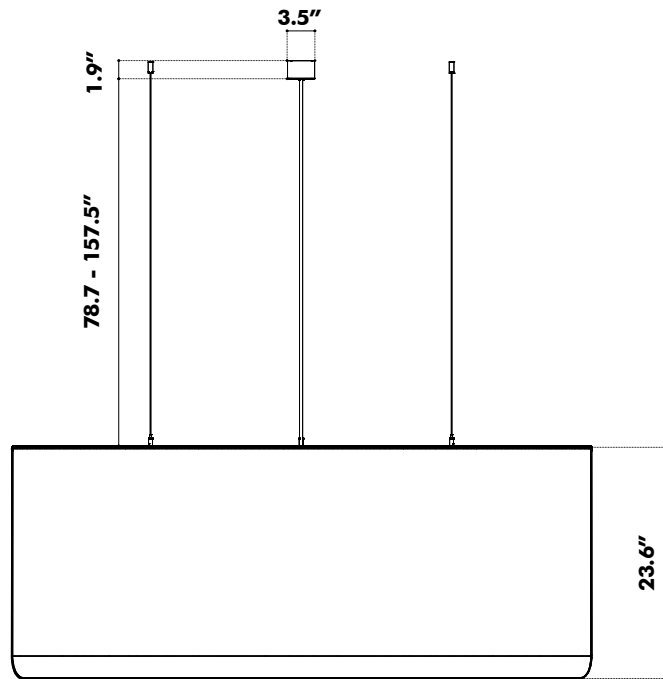
## Split



**BuzziJet Ceiling Suspended XL**

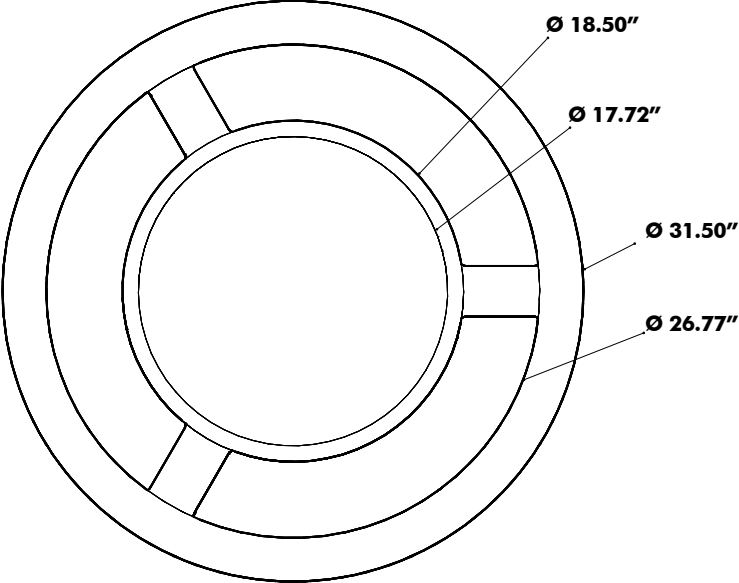


# BuzziJet Ceiling Suspended XXL

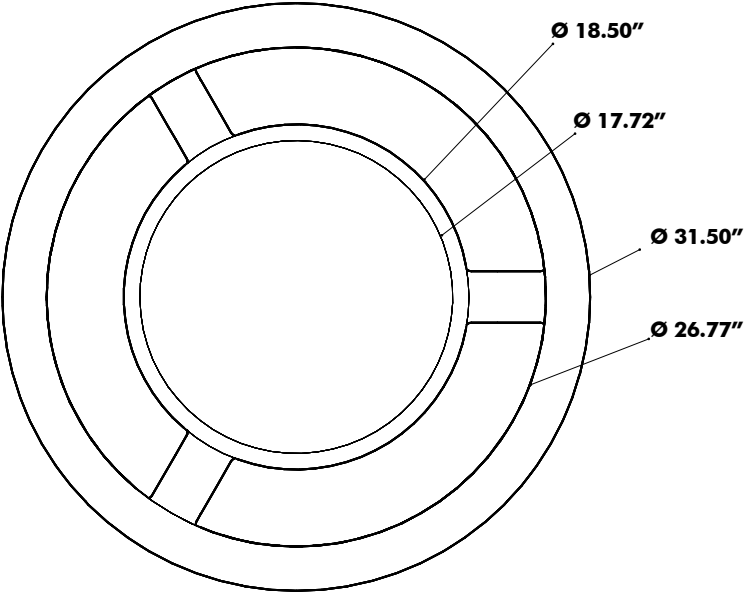




**BuzziJet Ceiling Mounted S**



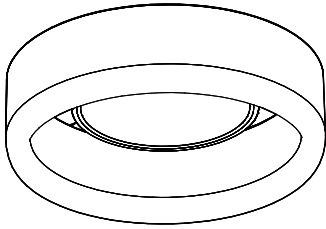
**BuzziJet Ceiling Mounted M**



---

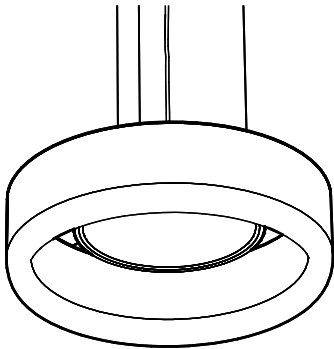
# Weights

## BuzziJet S Ceiling Mounted



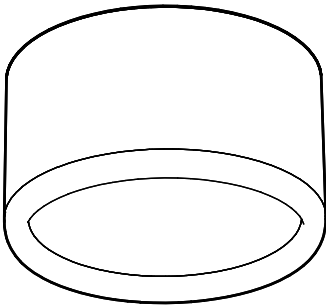
26.46 lbs

## BuzziJet S Ceiling Suspended



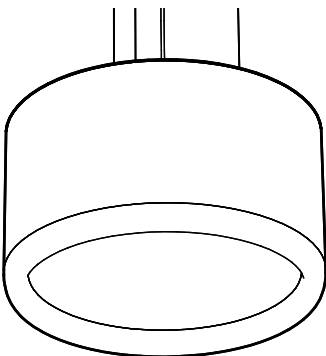
27.70 lbs

## BuzziJet M Ceiling Mounted



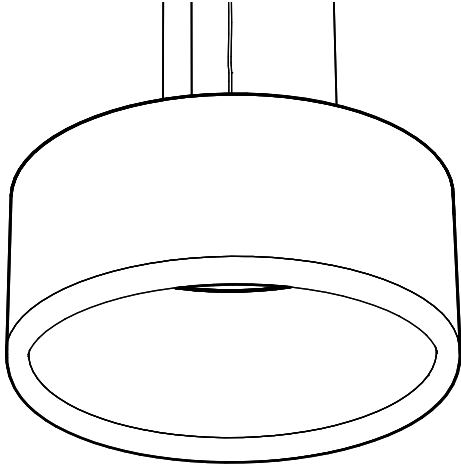
30.86 lbs

## BuzziJet M Ceiling Suspended



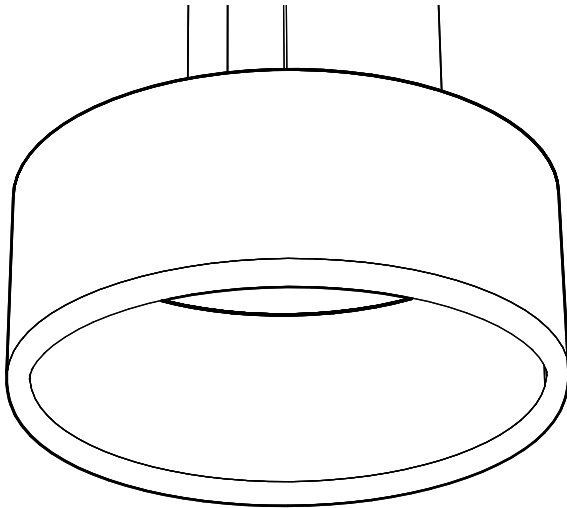
33.10 lbs

**BuzziJet XL Ceiling Suspended**



37.50 lbs

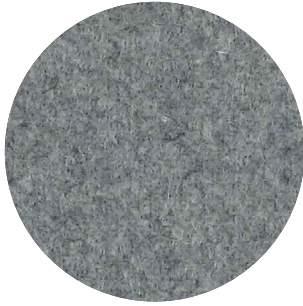
**BuzziJet XXL Ceiling Suspended**



57.30 lbs

# Fabrics

## Fabric (45 colors)



**Category A**

**Composition** 70% Recycled Wool, 25% Recycled Polyacryl,  
5% Recycled Other Fabrics

**Weight** 405 g/m<sup>2</sup> | 11.94 oz/yd<sup>2</sup>

**Abrasion resistance** 40.000 Martindale, 50,000 Wyzenbeek

**Flammability** EU: EN 1021.1/2006 | BS EN 1021.1/2006 (cigarette).  
EN 1021.2/2006 | BS EN 1021.2/2006 (match)  
USA: CAL TB 117 | ASTM E84 CLASS A

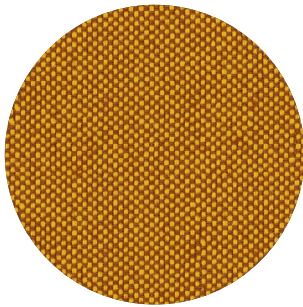
**Fastness to light** EU: 4 | USA 4

**Fastness to rubbing** EU: Wet 3-4 | Dry 4-5

**Fastness to crocking** USA: Wet 5 | Dry 5



## Trevira CS+ | CS (47 colors)



**Category A**

**Weight** 420 g/m<sup>2</sup> | 12.39 oz/yd<sup>2</sup>

**Composition** 100% Polyester, Trevira CS

**Abrasion resistance** 100.000 Martindale, 90,000 Wyzenbeek

**Flammability** BS 5852 part II: CRIB 5 | BS 7176 Medium Hazard  
USA: CAL TB 117 | M1 | B1 | EN 1021/1-2 | C1 |  
IMO Res. A652 (16)

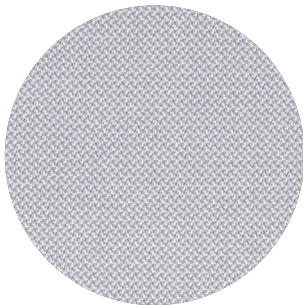
**Fastness to light** EU: 6 | USA 5

**Fastness to rubbing** EU: Wet 4-5 | Dry 4-5

**Fastness to crocking** USA: Wet 5 | Dry 5



## Revive 1 (25 colors)



**Category A**

**Composition** 100% recycled polyester FR

**Weight** 430 g/lin.m

**Abrasion resistance** 60.000 Martindale rubs, EN ISO 12947

**Flammability** EN 1021-1/2 | DIN 4102 B1 | Önorm B1/Q1  
UNI 9175 1IM | US Cal. Tech. Bull. 117  
IMO A.652 (16)

**Fastness to light** Note 5-7, ISO 105-B02

**Fastness to rubbing** (ISO) dry 5, wet 4-5

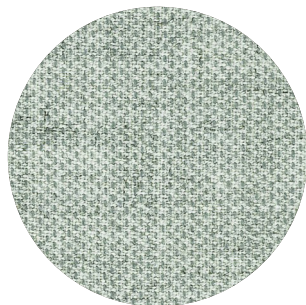
**Pilling** Note 4-5, EN ISO 12945



kvadrat

## Clara 2 (24 colors)

kvadrat



**Category B**

**Composition** 92% new wool, 8% nylon

**Weight** 400 g/lin.m

**Abrasion resistance** 80.000 Martindale rubs, EN ISO 12947

**Flammability** EN 1021-1/2 | BS 5852, ignition source 2-3 | DIN 4102 B2  
NF D 60 013 | UNI 9175 11M | US Cal. Tech. Bull. 117, Sec. E  
NFPA 260 | IMO A.652(16)

**Fastness to light** Note 5-7, ISO 105-B02

**Fastness to rubbing** (ISO) dry 4-5, wet 4

**Pilling** Note 4, EN ISO 12945



## Remix 3 (73 colors)

kvadrat



**Category B**

**Composition** 90% new wool, 10% nylon

**Weight** 415 g/lin.m

**Abrasion resistance** 100.000 Martindale rubs, EN ISO 12947

**Flammability** EN 1021-1/2 | BS 5852 part 1  
Önorm B1/Q1 | NF D 60 013 | UNI 9175, 11M  
AS/NZS 1530.3 | Cal. Tech. Bull. 117-2013  
NFPA 260 | IMO FTP Code 2010:Part 8

**Fastness to light** Note 5-7, ISO 105-B02

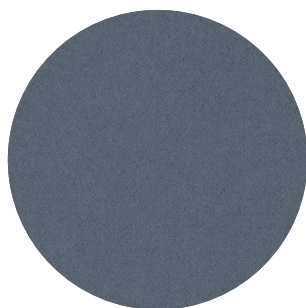
**Fastness to rubbing** (ISO) dry 4-5, wet 4

**Pilling** Note 4, EN ISO 12945



## Hero 2 (33 colors)

kvadrat



**Category C**

**Composition** 97% new wool, 3% nylon

**Weight** 580 g/lin.m

**Abrasion resistance** 45.000 Martindale rubs, EN ISO 12947

**Flammability** EN 1021-1/2 | DIN 4102 B2 | NF D 60 013  
UNI 9175 11M | US Cal. Bull. 117-2013 | NFPA 260  
IMO A.652 (16)

**Fastness to light** Note 5-6, ISO 105-B02

**Fastness to rubbing** (ISO) dry 4-5, wet 4-5

**Pilling** Note 3-4, EN ISO 12945



## Tonus 4 (47 colors)

kvadrat



**Category D**

**Composition** 90% new wool, 10% Helanca

**Weight** 665 g/lin.m

**Abrasion resistance** 100.000 Martindale rubs, EN ISO 12947

**Flammability** EN 1021-1/2 | BS 5852 part 1 | DIN 4102 B2  
Önorm B1/Q1 | NF D 60 013 | UNI 9175 11M  
US Cal. Bull. 117-2013 | NFPA 260 | IMO A.652 (16)

**Fastness to light** Note 5-7, ISO 105-B02

**Fastness to rubbing** (ISO) dry 3-5, wet 3-5

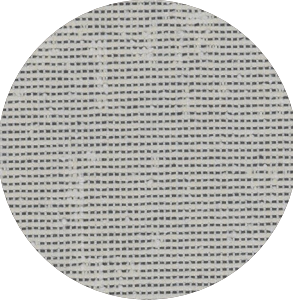
**Pilling** Note 3, EN ISO 12945





# Memory 2 (20 colors)

kvadrat



**Category** E

**Composition** 100% Trevira CS

**Weight** 700 g/lin.m

**Abrasion resistance**

35.000 rubs acc. to the Martindale method, EN ISO 12947

**Flammability** EN 1021-1/2 | DIN 4102 B1 | Önorm B1/Q1  
NF D 60 013 | NF P 92 507 M1 | UNI 9175 11M  
UNI 9177 classe 1 | US Cal. Tech. Bull. 117  
IMO A.652 (16)

**Fastness to light** Note 5-8, ISO 105-B02

**Fastness to rubbing** (ISO) dry 4-5, wet 4-5

**Pilling** Note 4, EN ISO 12945

