



## Product Specification Sheet

### **BuzziFez EU-US**

— By BuzziSpace Studio

#### **A playful lighting accessory**

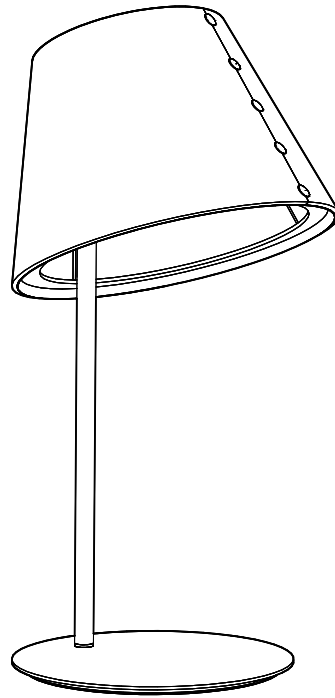
BuzziFez is our first table lamp inspired by our beloved range of acoustic lighting solutions. But don't let its size fool you. The lighting accessory houses an energy-efficient and dimmable LED module that provides tactile warm lighting and perfectly suits office, home, and hospitality environments. The playful table light features a tiltable cylindrical-shaped head made from our signature BuzziFelt material, while the inner layer of fabric is colored in Ivory to ensure optimal light reflection. Easily combine the lighting accessory with other products in our portfolio, such as our range of tables and workstations, to effortlessly spruce up various workspaces.

# The Family

**Model  
BuzziFez**

**Lighting Unit**

**LED**



---

Required order information

1. Shade Color

# Lighting Data

---

## Lighting Unit

LED

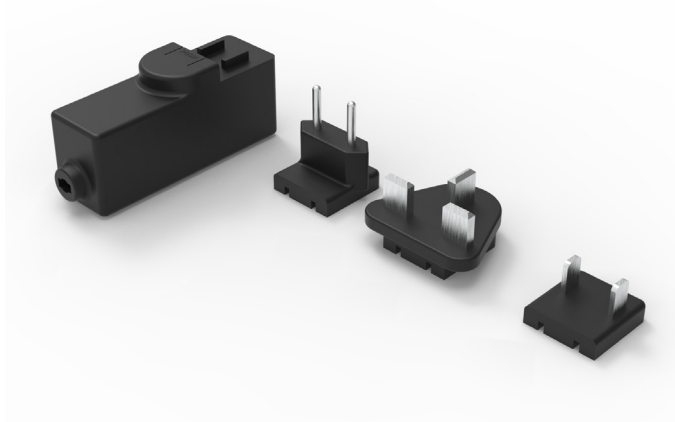


## Dimming



Touchbutton for on and off. Hold longer for dimming.

## Power Adapter



Power Adapter available for US/EU/UK  
Included Power Cord 1,5 m | 59.06"

# Lighting specifications

## BuzziFez

Lighting Unit	Voltage	Wattage	Light Output Luminaire	Efficacy (Lm/W)	CRI	Dimming	Color Temperature	UGR	Standard (stock) On request (>LT)	Color Power Cable	Color Metal Frame	Fabric Collection	Fabric Color
LED	100-240V	Max. 4,5 W	330 Lm	73	90	Touchdimmer	2700K	-	Standard	Black	Black	Use color codes below	Use color codes below



# Product Data

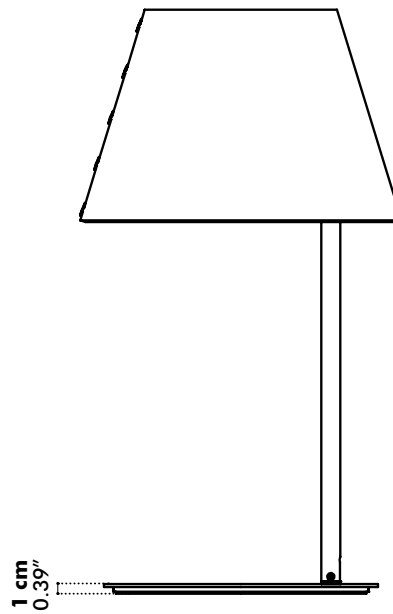
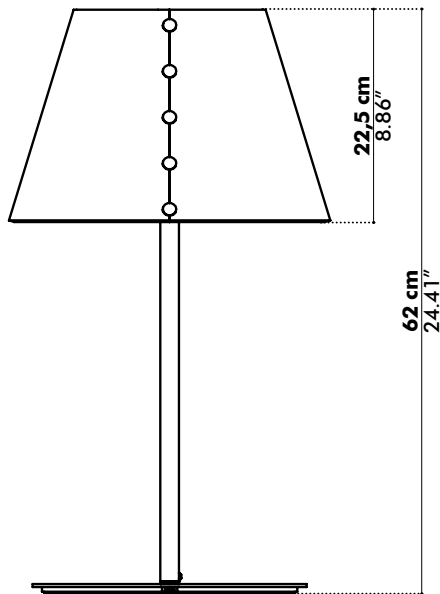
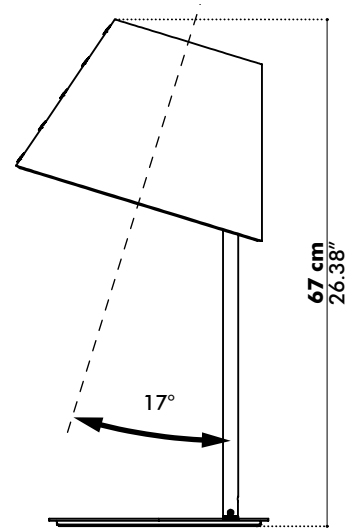
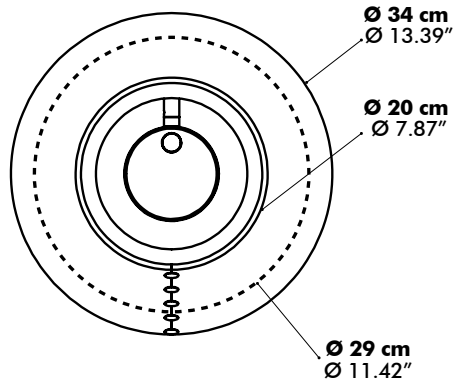
## Shade



Shade outside available in Felt: StoneGrey, Anthracite or OffWhite. Shade inside always in Fabric Ivory. The shade can be tilted 17°. Finished with glossy black push buttons.

# Dimensions

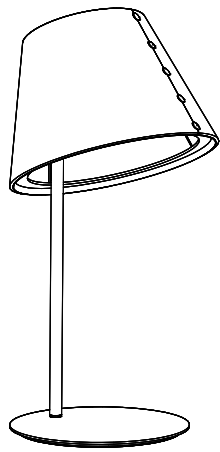
## BuzziFez




---

## Weights

### BuzziFez



 4,2 kg | 9.26 lbs

# Fabrics

---

## Felt

**Composition** 100% Recycled P.E.T. Felt, latex backing

**Weight** 1.000 g/m<sup>2</sup> | 29.49 oz/yd<sup>2</sup>

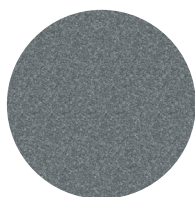
**Abrasion resistance** >7.000 Martindale

**Flammability** EU: EN 13501.1 + A1/2009 Class B-s1,d0  
USA: ASTM E84 Class A certified

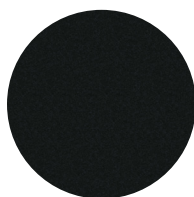
**Fastness to light** USA 5



Offwhite 63



StoneGrey 67



Anthracite 68

---

## Fabric

**Category** A

**Composition** 70% Recycled Wool, 25% Recycled Polyacryl,  
5% Recycled Other Fabrics

**Weight** 405 g/m<sup>2</sup> | 11.94 oz/yd<sup>2</sup>

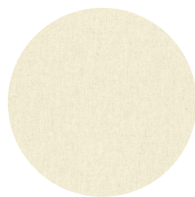
**Abrasion resistance** 40.000 Martindale, 50,000 Wyzenbeek

**Flammability** EU: EN 1021.1/2006 | BS EN 1021.1/2006 (cigarette).  
EN 1021.2/2006 | BS EN 1021.2/2006 (match)  
USA: CAL TB 117 | ASTM E84 CLASS A

**Fastness to light** EU: 4 | USA 4

**Fastness to rubbing** EU: Wet 3-4 | Dry 4-5

**Fastness to crocking** USA: Wet 5 | Dry 5



Ivory 101