

Product Specification Sheet

BuzziJet Square EU

— By BuzziSpace Studio

A sleek acoustic light

BuzziJet Square is a multifunctional acoustic element that combines lighting and sound-absorbing capabilities within a sleek, square form. This innovative solution not only provides effective illumination to a space but also serves to reduce noise and echoes by absorbing sound waves. BuzziJet Square is available in four different sizes and can be upholstered in a wide range of fabrics and colors, making it easy to suit your needs.



The Family

Models

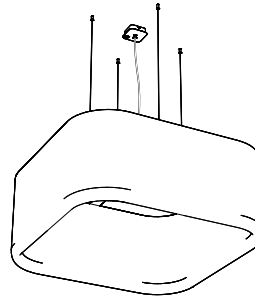
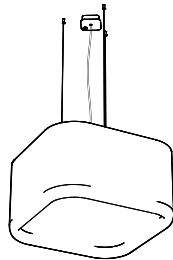
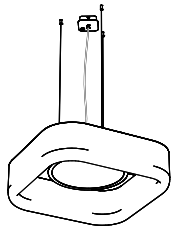
**BuzziJet
Square S**

**BuzziJet
Square M**

**BuzziJet
Square XL**

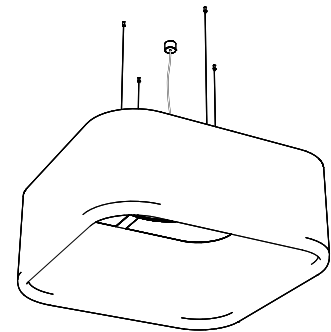
**BuzziJet
Square XXL**

**LED
Disk
Ø 450**



Lighting Units

**LED
Disk
Ø 670**



Required order information

1. Size
2. Fabric (CAT -> Collection -> Color)
3. Mounting Option
4. Lighting Options (Voltage input, Color Temperature, UGR, Dimming)

Lighting Data

Lighting Unit

LED Disk



The light module can be finished with a Milky (UGR 22) or prismatic (UGR 19) PMMA diffuser. The Milky diffuser (UGR 22) ensures an optimal light spread and efficiency. It creates a very diffuse light surface without any dottiness.

To achieve a UGR 19, the product is fitted with a Prismatic diffuser instead of a milky diffuser. LED dots will be visible.



UGR 22
Milky Diffuser



UGR 19
Prismatic Diffuser

BuzziJet Square Suspended Lighting Options

Models: S | M | XL

Options		Characteristics			Mounting	
Voltage Input	Color Temperature	UGR (Diffuser type)	Dimming	Technical	Visual	Options
230V	3000K	22 (milky)	1-10V Dali	Power consumption: 35W Light output: 3170 Lm Efficacy: 91 Lm/W CRI: > 90	Color: Power Cable: Black Ceiling Canopy: Black	Ceiling Suspended Straight: S M: 3 cables XL: 4 cables 2 m or 5 m Alu or Black
		19 (prismatic)*	1-10V Dali	Power consumption: 35W Light output: 3600 Lm Efficacy: 103 Lm/W CRI: > 90	Color: Power Cable: Black Ceiling Canopy: Black	Ceiling Suspended Straight: S M: 3 cables XL: 4 cables 2 m or 5 m Alu or Black
	4000K	22 (milky)	1-10V Dali	Power consumption: 35W Light output: 3170 Lm Efficacy: 91 Lm/W CRI: > 90	Color: Power Cable: Black Ceiling Canopy: Black	Ceiling Suspended Straight: S M: 3 cables XL: 4 cables 2 m or 5 m Alu or Black
		19 (prismatic)*	1-10V Dali	Power consumption: 35W Light output: 3600 Lm Efficacy: 103 Lm/W CRI: > 90	Color: Power Cable: Black Ceiling Canopy: Black	Ceiling Suspended Straight: S M: 3 cables XL: 4 cables 2 m or 5 m Alu or Black

* To achieve a UGR 19, the product is fitted with a Prismatic diffuser instead of a milky diffuser. LED dots will be visible.

Models: XXL

Options		Characteristics			Mounting	
Voltage Input	Color Temperature	UGR (Diffuser type)	Dimming	Technical	Visual	Options
230V	3000K	23 (milky)	1-10V	Power consumption: 70W Light output: 6232 Lm Efficacy: 89 Lm/W CRI: > 90	Color: Power Cable: Transparent Ceiling Canopy: White	Ceiling Suspended Straight: 4 cables 2 m or 4 m Alu or Black

BuzziJet Square Ceiling Mounted Lighting Options

Models: S | M

Options		Characteristics			Mounting
Voltage Input	Color Temperature	UGR (Diffuser type)	Dimming	Technical	Options
230V	3000K	22 (milky)	1-10V Dali	Power consumption: 35W Light output: 3170 Lm Efficacy: 91 Lm/W CRI: > 90	Ceiling Mounted
		19 (prismatic)*	1-10V Dali	Power consumption: 35W Light output: 3600 Lm Efficacy: 103 Lm/W CRI: > 90	
	4000K	22 (milky)	1-10V Dali	Power consumption: 35W Light output: 3170 Lm Efficacy: 91 Lm/W CRI: > 90	
		19 (prismatic)*	1-10V Dali	Power consumption: 35W Light output: 3600 Lm Efficacy: 103 Lm/W CRI: > 90	

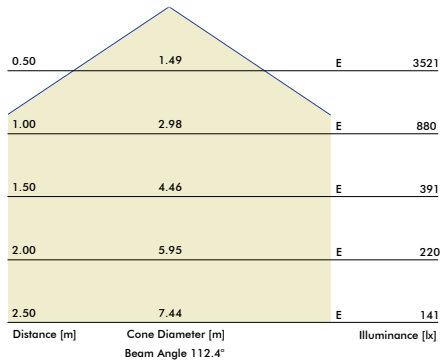


* To achieve a UGR 19, the product is fitted with a Prismatic diffuser instead of a milky diffuser. LED dots will be visible.

Photometric Data

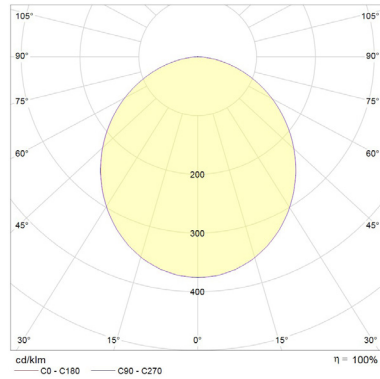
BuzziJet Square S | M | XL LED Disk Ø 450

LED Disk Ø 450 Cartesian diagram



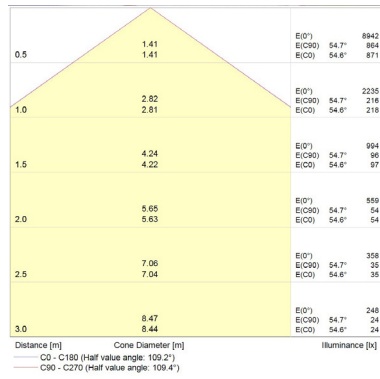
ref. model: LED Disk 450 3000K UGR 22

LED Disk Ø 450 Polar curve

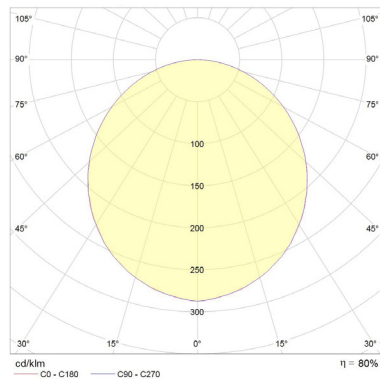


BuzziJet Square XXL LED Disk Ø 670

LED Disk Ø 670 Cartesian diagram



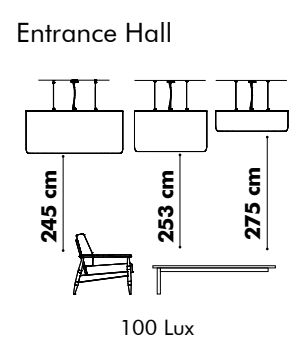
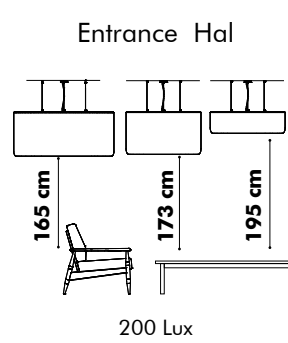
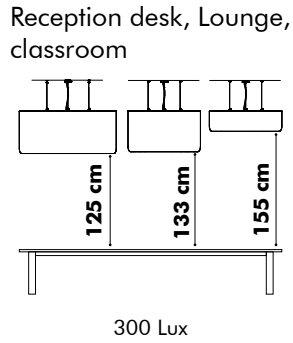
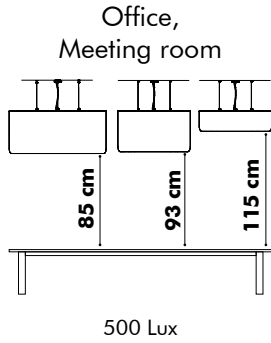
LED Disk Ø 670 Polar curve



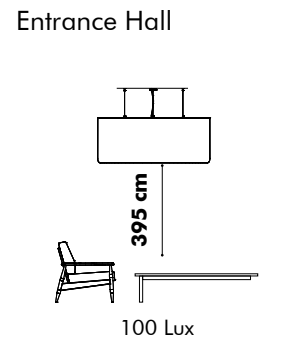
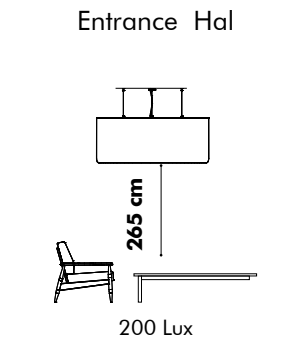
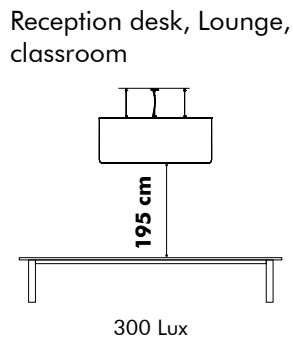
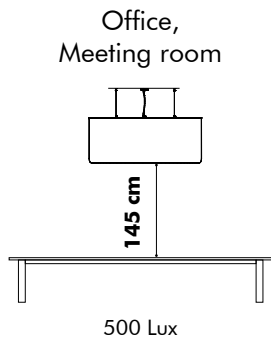
Tips and Tricks - Light Options

To enlighten your workplace with optimal lux levels take following measurements into account:

BuzziJet Square S | M | XL



BuzziJet Square XXL

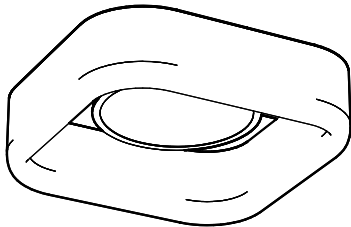


* According to EN12464

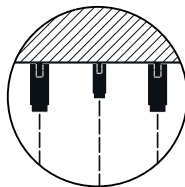
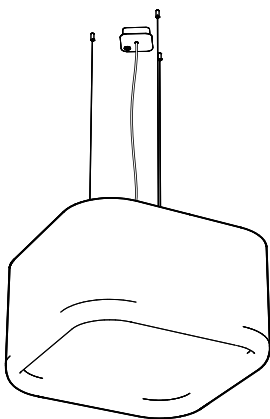
Product Data

Fixing System

Ceiling Mounted (only available for BuzziJet Square S | M)



Ceiling Suspended Straight



Ceiling Suspended Straight

Fixing System Screw

S|M: 3 cables of 2 or 5 m

XL: 4 cables of 2 or 5 m

XXL: 4 cables of 2 or 4 m

Black or alu

Min. distance of shade to ceiling is 10 cm

⚠ If installing on suspended ceiling, verify load capacity prior to installation.

Acoustic Shade



The acoustic shade is upholstered top to bottom in a chosen fabric.

The light source is wrapped with an upholstered ring in the same fabric as the acoustic shade.



Absorption



Diffusion



Low tone



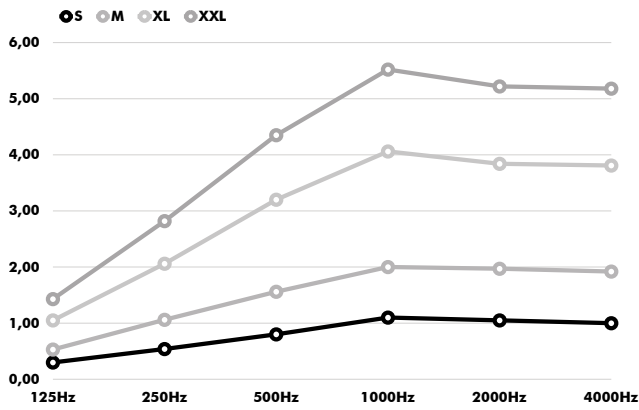
Mid tone



High tone

Acoustics

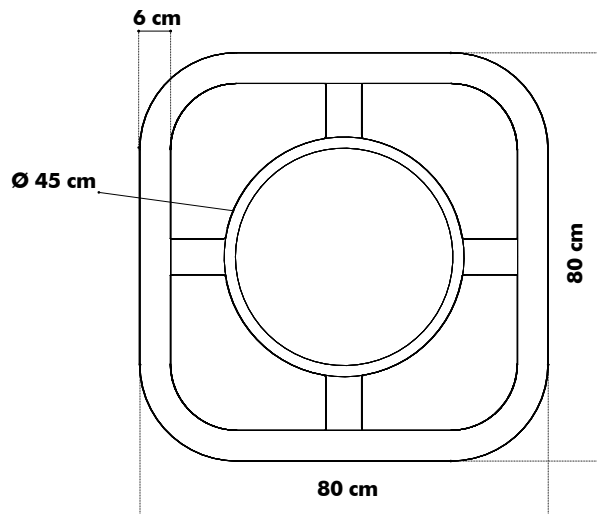
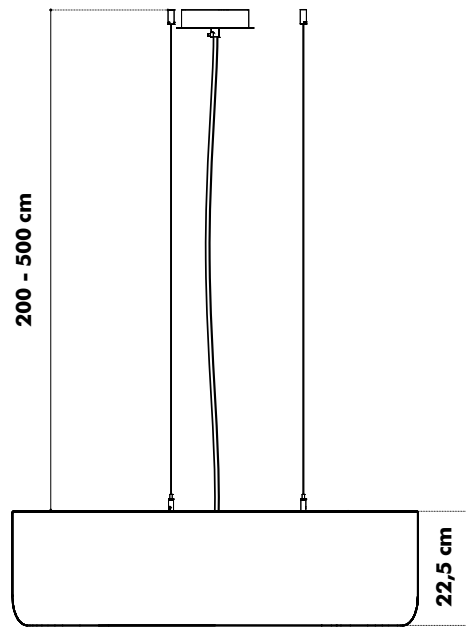
BuzziJet Square Equivalent sound absorption area in m² per object



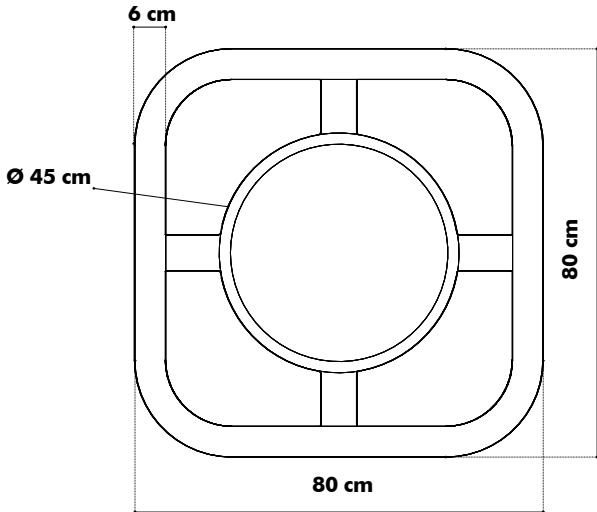
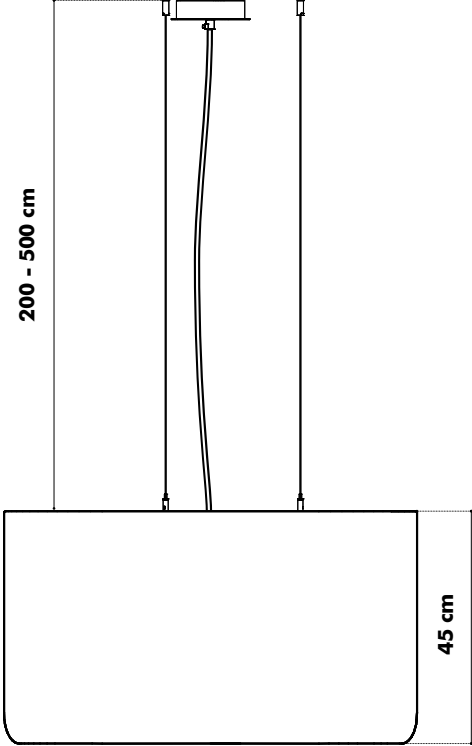
Hz	S Aeq/m ²	M Aeq/m ²	XL Aeq/m ²	XXL Aeq/m ²
125	0.30	0.53	1.05	1.43
250	0.54	1.06	2.06	2.82
500	0.80	1.56	3.20	4.35
1000	1.10	2.00	4.06	5.52
2000	1.05	1.97	3.84	5.22
4000	1.00	1.92	3.81	5.18

Dimensions

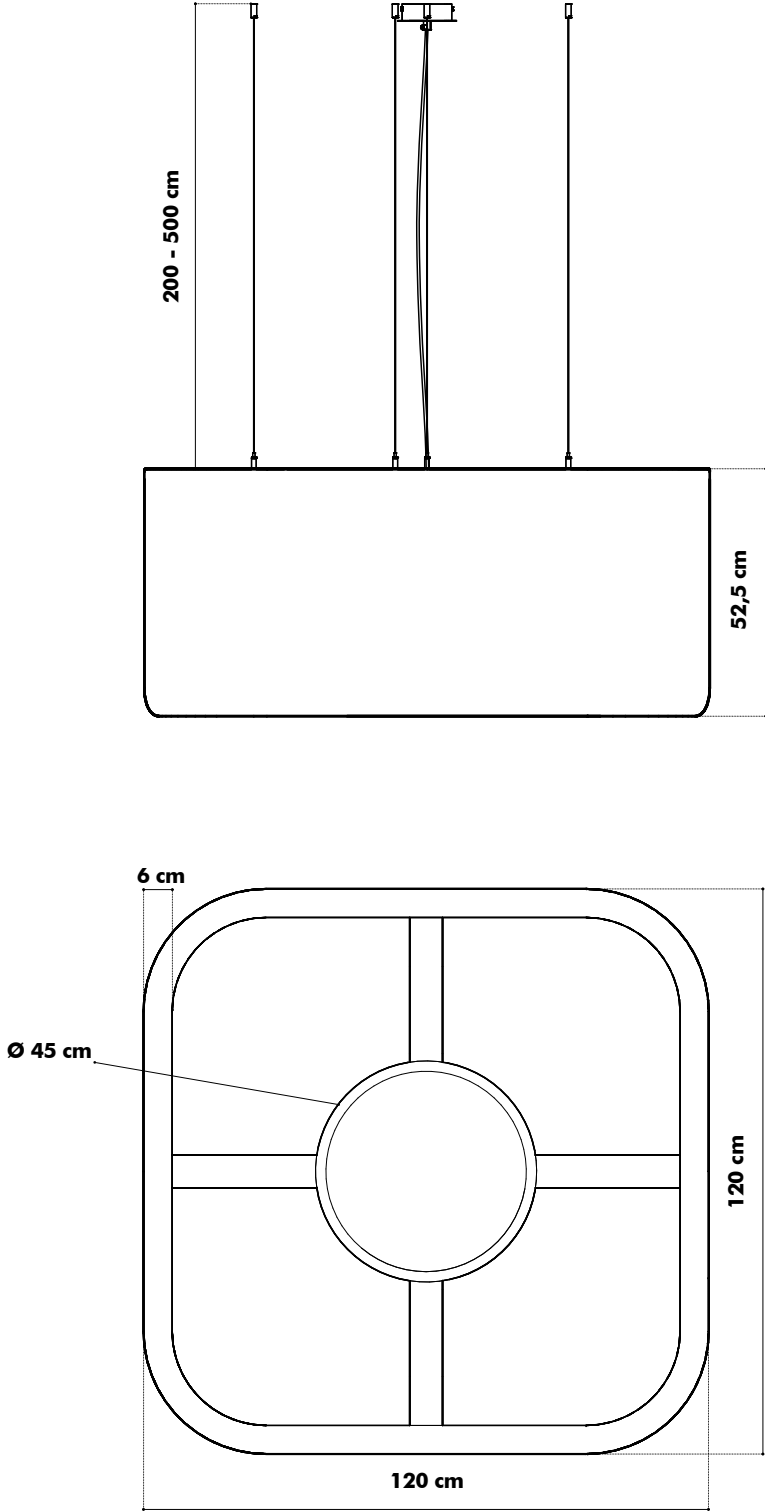
BuzziJet Square Ceiling Suspended S



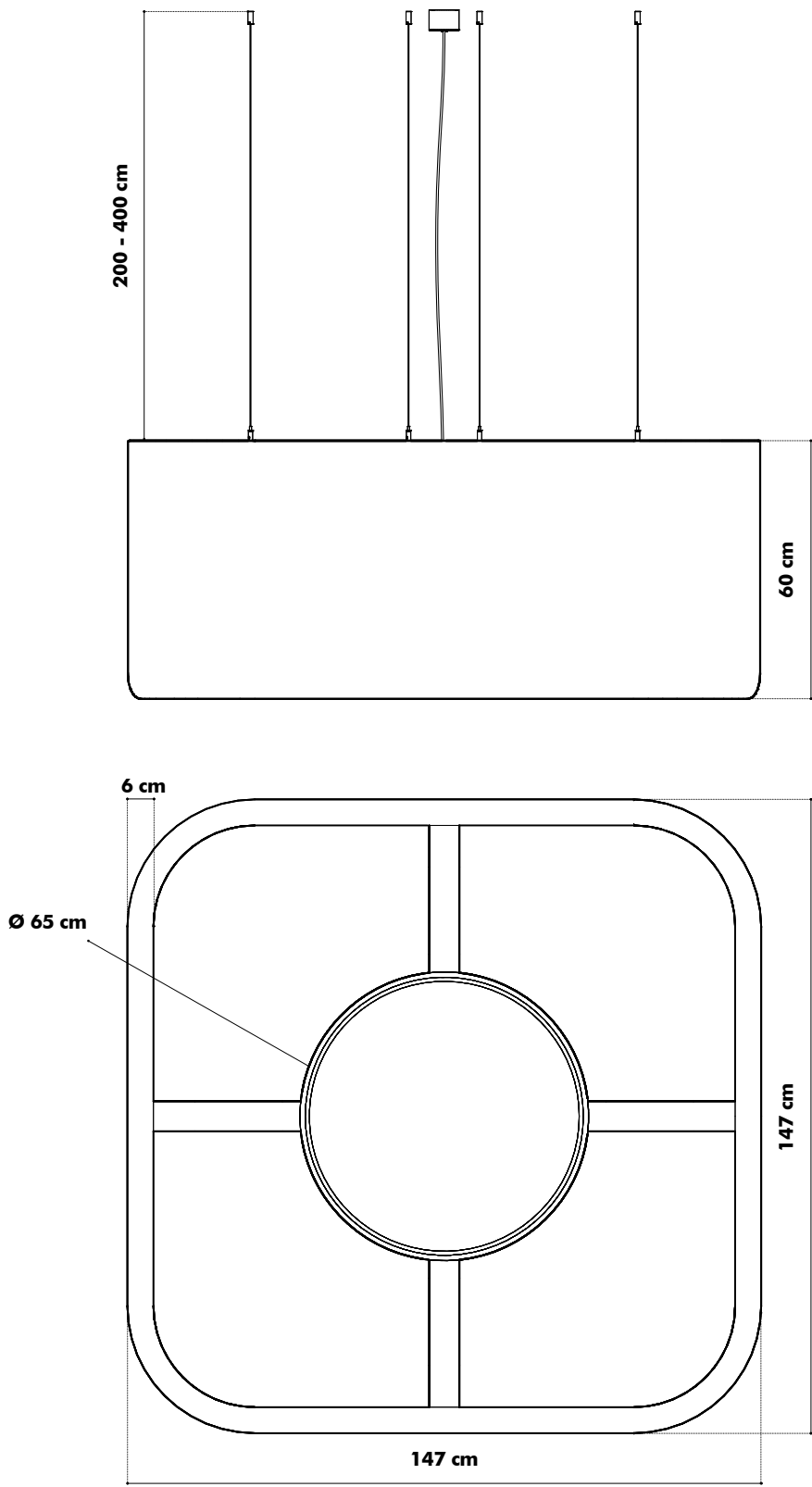
BuzziJet Square Ceiling Suspended M



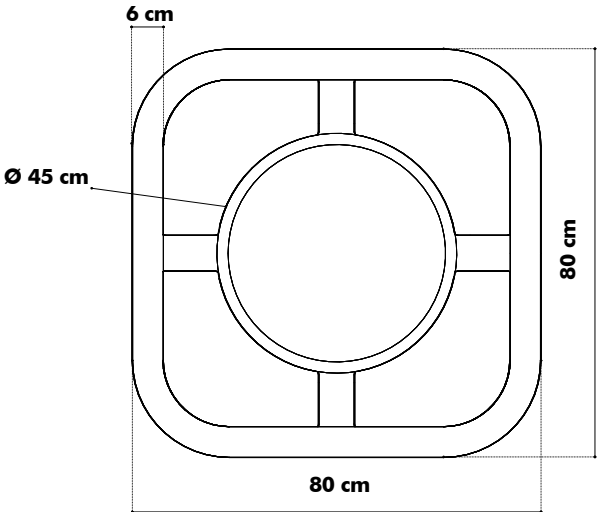
BuzziJet Square Ceiling Suspended XL



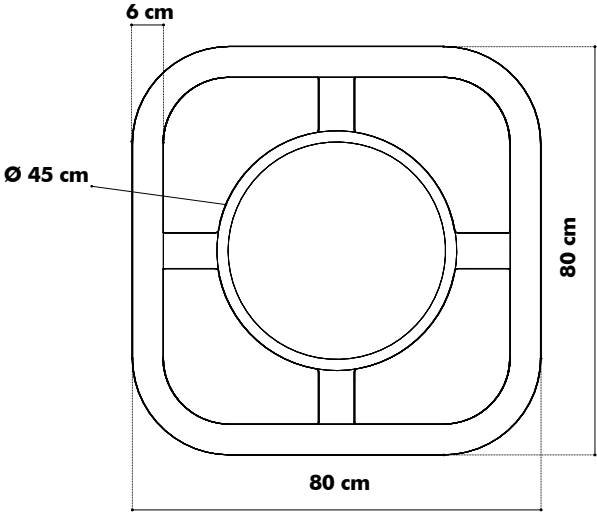
BuzziJet Square Ceiling Suspended XXL



BuzziJet Square Ceiling Mounted S

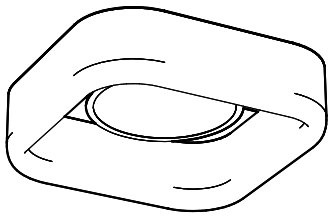



BuzziJet Square Ceiling Mounted M



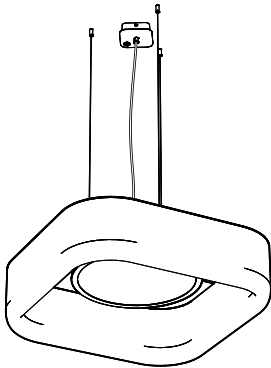
Weights


BuzziJet Square S Ceiling Mounted



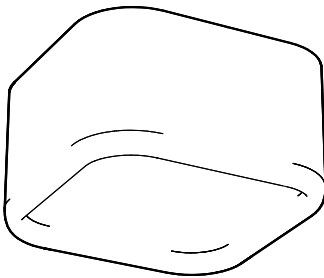
 11,3 kg


BuzziJet Square S Ceiling Suspended



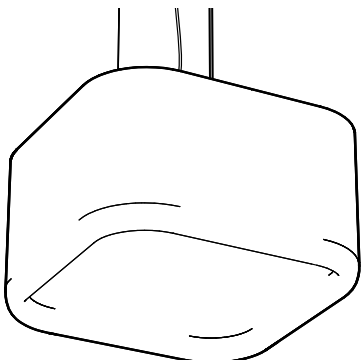
 12,3 kg


BuzziJet Square M Ceiling Mounted



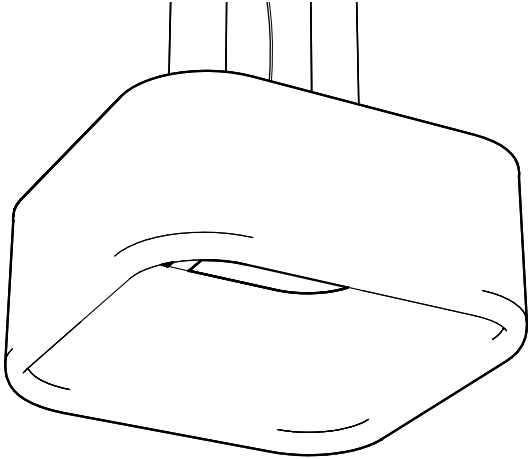
 13,2 kg

BuzziJet Square M Ceiling Suspended



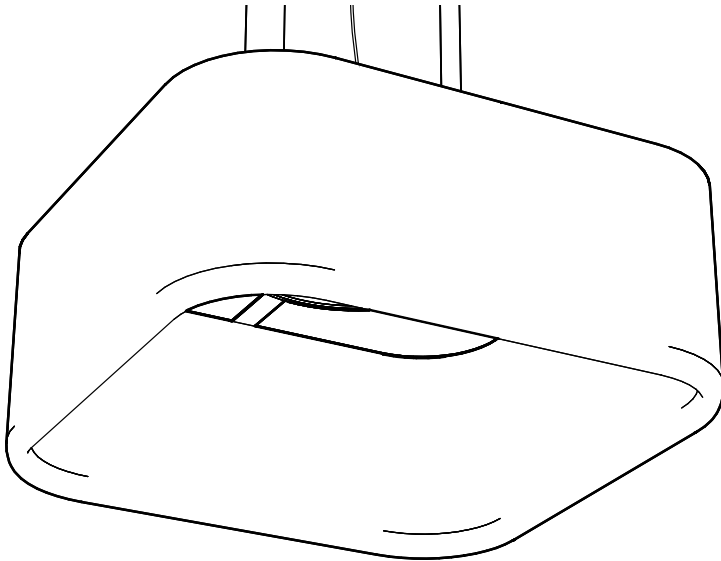
 14,2 kg

BuzziJet Square XL Ceiling Suspended



23,7 kg

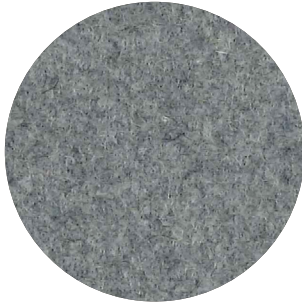
BuzziJet Square XXL Ceiling Suspended



33,5 kg

Fabrics

Fabric (45 colors)



Category A

Composition 70% Recycled Wool, 25% Recycled Polyacryl,
5% Recycled Other Fabrics

Weight 405 g/m² | 11.94 oz/yd²

Abrasion resistance 40.000 Martindale, 50,000 Wyzenbeek

Flammability EU: EN 1021.1/2006 | BS EN 1021.1/2006 (cigarette).
EN 1021.2/2006 | BS EN 1021.2/2006 (match)
USA: CAL TB 117 | ASTM E84 CLASS A

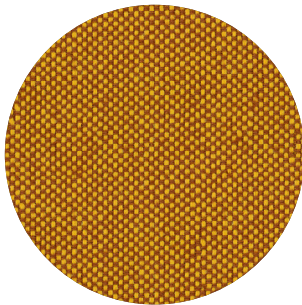
Fastness to light EU: 4 | USA 4

Fastness to rubbing EU: Wet 3-4 | Dry 4-5

Fastness to crocking USA: Wet 5 | Dry 5



Trevira CS+ | CS (47 colors)



Category A

Weight 420 g/m² | 12.39 oz/yd²

Composition 100% Polyester, Trevira CS

Abrasion resistance 100.000 Martindale, 90,000 Wyzenbeek

Flammability BS 5852 part II: CRIB 5 | BS 7176 Medium Hazard
USA: CAL TB 117 | M1 | B1 | EN 1021/1-2 | C1 |
IMO Res. A652 (16)

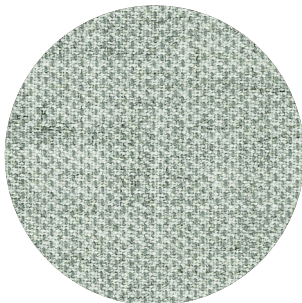
Fastness to light EU: 6 | USA 5

Fastness to rubbing EU: Wet 4-5 | Dry 4-5

Fastness to crocking USA: Wet 5 | Dry 5



Clara 2 (24 colors)



Category B

Composition 92% new wool, 8% nylon

Weight 400 g/lin.m

Abrasion resistance 80.000 Martindale rubs, EN ISO 12947

Flammability EN 1021-1/2 | BS 5852, ignition source 2-3 | DIN 4102 B2
NF D 60 013 | UNI 9175 11M | US Cal. Tech. Bull. 117, Sec. E
NFPA 260 | IMO A.652(16)

Fastness to light Note 5-7, ISO 105-B02

Fastness to rubbing (ISO) dry 4-5, wet 4

Pilling Note 4, EN ISO 12945



kvadrat

Remix 3 (73 colors)

kvadrat



Category B

Composition 90% new wool, 10% nylon

Weight 415 g/lin.m

Abrasion resistance 100.000 Martindale rubs, EN ISO 12947

Flammability EN 1021-1/2 | BS 5852 part 1

Önorm B1/Q1 | NF D 60 013 | UNI 9175, 1IM

AS/NZS 1530.3 | Cal. Tech. Bull. 117-2013

NFPA 260 | IMO FTP Code 2010:Part 8

Fastness to light Note 5-7, ISO 105-B02

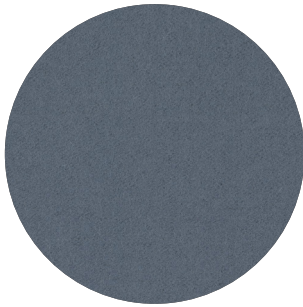
Fastness to rubbing (ISO) dry 4-5, wet 4

Pilling Note 4, EN ISO 12945



Hero 2 (33 colors)

kvadrat



Category C

Composition 96% new wool, 4% nylon

Weight 580 g/lin.m

Abrasion resistance 45.000 Martindale rubs, EN ISO 12947

Flammability EN 1021-1/2 | DIN 4102 B2 | NF D 60 013

UNI 9175 1IM | US Cal. Bull. 117-2013 | NFPA 260

IMO A.652 (16)

Fastness to light Note 5-6, ISO 105-B02

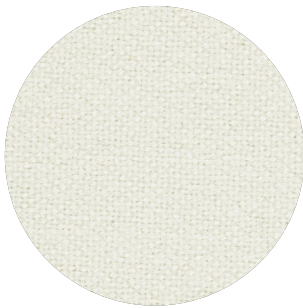
Fastness to rubbing (ISO) dry 4-5, wet 4-5

Pilling Note 3-4, EN ISO 12945



Tonus 4 (47 colors)

kvadrat



Category D

Composition 90% new wool, 10% Helanca

Weight 665 g/lin.m

Abrasion resistance 100.000 Martindale rubs, EN ISO 12947

Flammability EN 1021-1/2 | BS 5852 part 1 | DIN 4102 B2

Önorm B1/Q1 | NF D 60 013 | UNI 9175 1IM

US Cal. Bull. 117-2013 | NFPA 260 | IMO A.652 (16)

Fastness to light Note 5-7, ISO 105-B02

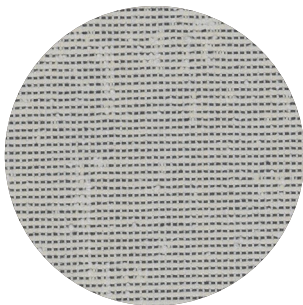
Fastness to rubbing (ISO) dry 3-5, wet 3-5

Pilling Note 3, EN ISO 12945



Memory 2 (20 colors)

kvadrat



Category E

Composition 100% Trevira CS

Weight 700 g/lin.m

Abrasion resistance

35.000 rubs acc. to the Martindale method, EN ISO 12947

Flammability EN 1021-1/2 | DIN 4102 B1 | Önorm B1/Q1

NF D 60 013 | NF P 92 507 M1 | UNI 9175 1IM

UNI 9177 classe 1 | US Cal. Tech. Bull. 117

IMO A.652 (16)

Fastness to light Note 5-8, ISO 105-B02

Fastness to rubbing (ISO) dry 4-5, wet 4-5

Pilling Note 4, EN ISO 12945

