
BuzziDesk FlipFlop Product Specification Sheet

This document contains technical information about the BuzziDesk Flip Flop





www.buzzi.space


Free standing desk divider screen



These movable and foldable acoustic screens have been designed in order to instantly define a quieter and more personal space on any desktop. They can be conveniently stored against a wall in a flat manner since their side flaps are fully movable. They can be used in a more or less closed manner depending on how protected one wants to be, but can also be set in a zig-zag manner on a table top. They were originally designed to be used on the multifunctional BuzziPicNic table (with two small extra slides that fit perfectly in its central opening), but they can be used on any table top to define a specific area when needed.

Design by Alain Gilles

General

-  Desk FlipFlop
- Core: honeycomb cardboard
-  Profile: metal
- Cover: Fabric, Trevira CS+ | CS, Revive 1, Clara 2, Remix 3, Hero 2, Tonus 4, Memory 2

-  Min. W 117,5 cm H 35 cm D 3,5 cm
 W 46.26" H 13.78" D 1.38"
- Max. W 300 cm H 50 cm D 3,5 cm
 W 118.11" H 19.69" D 1.38"

-  Dry Use
-  Flat Packed
- ... Sliders for BuzziPicNic Desk, Meet, WorkBench
 FixWall (optional)

Certifications



Acoustics



Absorption



Diffusion



Attenuation



Mid tone

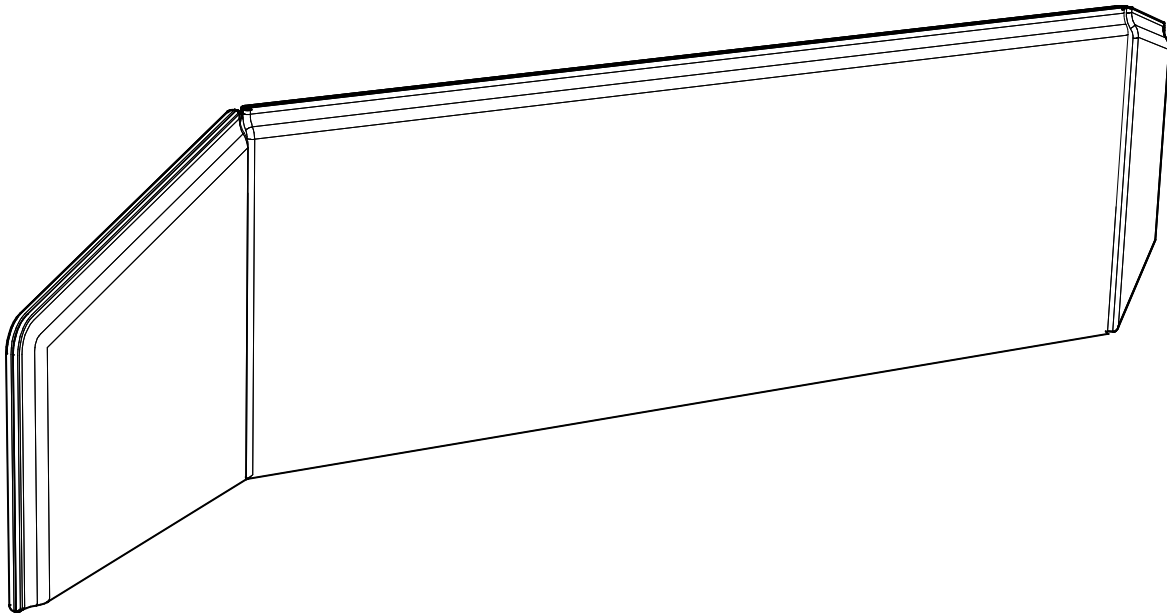


High tone

Content

Configurations	3	Dimensions	8
Components	4	Acoustics	10
Fabrics	5		

Configuration



🌲 Core: honeycomb cardboard
 Profile: metal
 Cover: Fabric, Trevira CS+ | CS, Revive 1, Clara 2, Remix 3, Hero 2, Tonus 4, Memory 2

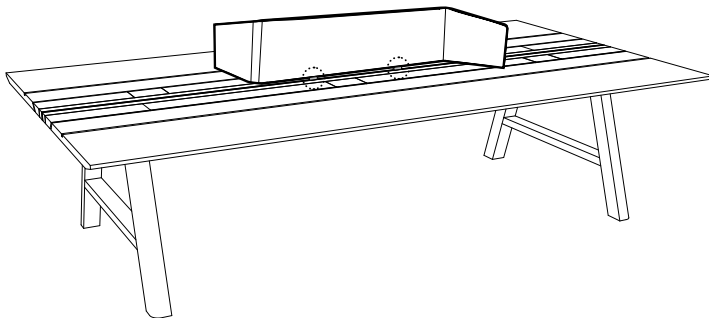
✂️ Min. W 117,5 cm H 35 cm D 3,5 cm
 W 46.26" H 13.78" D1.38"
 Max. W 300 cm H 50 cm D 3,5 cm
 W 118.11" H 19.69" D 1.38"

Length	Side panel:	Side panel:	Side panel:	Side panel:
	37.5 cm 14.76"	50 cm 19.69"	37.5 cm 14.76"	50 cm 19.69"
	Height panel:	Height panel:	Height panel:	Height panel:
	35 cm 13.78"	35 cm 13.78"	50 cm 19.69"	50 cm 19.69"
80 cm 31.50"	3.2 kg 7.05 lbs	3.4 kg 7.50 lbs	4 kg 8.82 lbs	4.5 kg 9.92 lbs
100 cm 39.37"	3.5 kg 7.72 lbs	3.7 kg 8.16 lbs	4.6 kg 10.14 lbs	5.1 kg 11.24 lbs
120 cm 47.24"	3.9 kg 8.60 lbs	4.1 kg 9.04 lbs	5.1 kg 11.24 lbs	5.5 kg 12.13 lbs
140 cm 55.12"	4.2 kg 9.26 lbs	4.5 kg 9.92 lbs	5.6 kg 12.35 lbs	6 kg 13.23 lbs
160 cm 62.99"	4.8 kg 10.58 lbs	5 kg 11.00 lbs	6.1 kg 13.45 lbs	6.6 kg 14.55 lbs
180 cm 70.87"	5.1 kg 11.24 lbs	5.4 kg 11.90 lbs	6.7 kg 14.77 lbs	7 kg 15.43 lbs
200 cm 78.74"	5.6 kg 12.35 lbs	5.8 kg 12.78 lbs	7.3 kg 16.09 lbs	7.6 kg 16.76 lbs

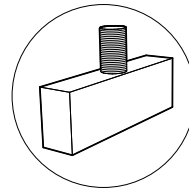
⋮ Sliders for BuzziPicNic Desk, Meet, Workbench
 FixWall (optional)

Components

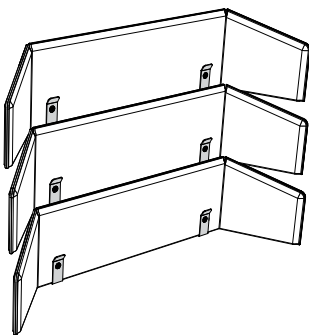
Slider



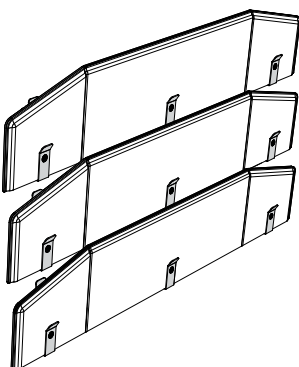
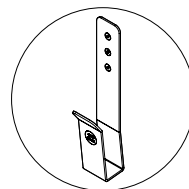
Combine BuzziDesk FlipFlop with BuzziPicNic Desk, Meet, WorkBench: screw the 2 sliders into the BuzziDeskFlipFlop and put them into the BuzziPicNic-ridge.
(2 pieces)



FixWall (optional)

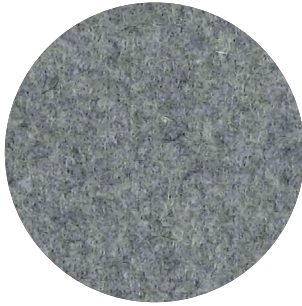


Store all your BuzziDesk FlipFlops convenient on the wall with the BuzziFix FlipFlop. (min. 2 pieces required)
Powder coated metal in Black (9005) Alu (9006) or White (9010)



Fabrics

Fabric (45 colors)



Category A

Composition 70% Recycled Wool, 25% Recycled Polyacryl,
5% Recycled Other Fabrics

Weight 405 g/m² | 11.94 oz/yd²

Abrasion resistance 40.000 Martindale, 50,000 Wyzenbeek

Flammability EU: EN 1021.1/2006 | BS EN 1021.1/2006 (cigarette).
EN 1021.2/2006 | BS EN 1021.2/2006 (match)
USA: CAL TB 117 | ASTM E84 CLASS A

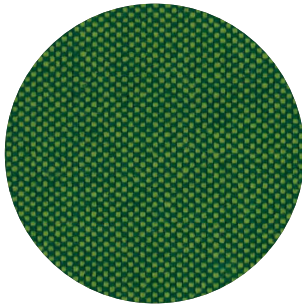
Fastness to light EU: 4 | USA 4

Fastness to rubbing EU: Wet 3-4 | Dry 4-5

Fastness to crocking USA: Wet 5 | Dry 5



Trevira CS+ | CS (47 colors)



Category A

Weight 420 g/m² | 12.39 oz/yd²

Composition 100% Polyester, Trevira CS

Abrasion resistance 100.000 Martindale, 90,000 Wyzenbeek

Flammability BS 5852 part II: CRIB 5 | BS 7176 Medium Hazard
USA: CAL TB 117 | M1 | B1 | EN 1021/1-2 | C1 |
IMO Res. A652 (16)

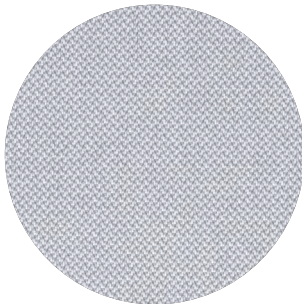
Fastness to light EU: 6 | USA 5

Fastness to rubbing EU: Wet 4-5 | Dry 4-5

Fastness to crocking USA: Wet 5 | Dry 5



Revive 1 (25 colors)



Category A

Composition 100% recycled polyester FR

Weight 430 g/lin.m

Abrasion resistance 60.000 Martindale rubs, EN ISO 12947

Flammability EN 1021-1/2 | DIN 4102 B1 | Önorm B1/Q1
UNI 9175 1IM | US Cal. Tech. Bull. 117
IMO A.652 (16)

Fastness to light Note 5-7, ISO 105-B02

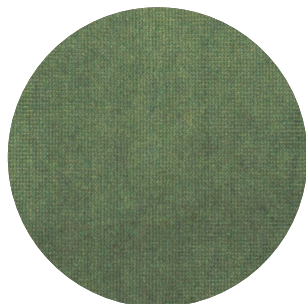
Fastness to rubbing (ISO) dry 5, wet 4-5

Pilling Note 4-5, EN ISO 12945



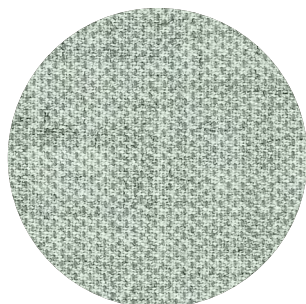
kvadrat

Velvet (12 colors)



Category B
Composition 100% PES
Weight 375 g/m² | 11.06 oz/yd²
Abrasion resistance > 100.000 Martindale
Fastness to light EU: 4-5
Fastness to rubbing EU: Wet 4 | Dry 4-5
Pilling EU: 4-5

Clara 2 (24 colors)



Category B
Composition 92% new wool, 8% nylon
Weight 400 g/lin.m
Abrasion resistance 80.000 Martindale rubs, EN ISO 12947
Flammability EN 1021-1/2 | BS 5852, ignition source 2-3 | DIN 4102 B2
NF D 60 013 | UNI 9175 1IM | US Cal. Tech. Bull. 117, Sec. E
NFPA 260 | IMO A.652(16)
Fastness to light Note 5-7, ISO 105-B02
Fastness to rubbing (ISO) dry 4-5, wet 4
Pilling Note 4, EN ISO 12945



kvadrat

Remix 3 (73 colors)

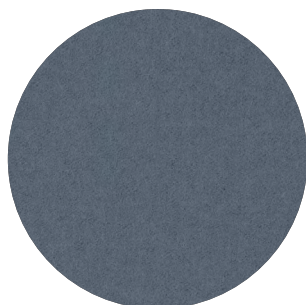


Category B
Composition 90% new wool, 10% nylon
Weight 415 g/lin.m
Abrasion resistance 100.000 Martindale rubs, EN ISO 12947
Flammability EN 1021-1/2 | BS 5852 part 1
Önorm B1/Q1 | NF D 60 013 | UNI 9175, 1IM
AS/NZS 1530.3 | Cal. Tech. Bull. 117-2013
NFPA 260 | IMO FTP Code 2010:Part 8
Fastness to light Note 5-7, ISO 105-B02
Fastness to rubbing (ISO) dry 4-5, wet 4
Pilling Note 4, EN ISO 12945



kvadrat

Hero 2 (33 colors)



Category C
Composition 97% new wool, 3% nylon
Weight 580 g/lin.m
Abrasion resistance 45.000 Martindale rubs, EN ISO 12947
Flammability EN 1021-1/2 | DIN 4102 B2 | NF D 60 013
UNI 9175 1IM | US Cal. Bull. 117-2013 | NFPA 260
IMO A.652 (16)
Fastness to light Note 5-6, ISO 105-B02
Fastness to rubbing (ISO) dry 4-5, wet 4-5
Pilling Note 3-4, EN ISO 12945



kvadrat

Tonus 4 (47 colors)

kvadrat



Category D

Composition 90% new wool, 10% Helanca

Weight 665 g/lin.m

Abrasion resistance 100.000 Martindale rubs, EN ISO 12947

Flammability EN 1021-1/2 | BS 5852 part 1 | DIN 4102 B2

Önorm B1/Q1 | NF D 60 013 | UNI 9175 11M

US Cal. Bull. 117-2013 | NFPA 260 | IMO A.652 (16)

Fastness to light Note 5-7, ISO 105-B02

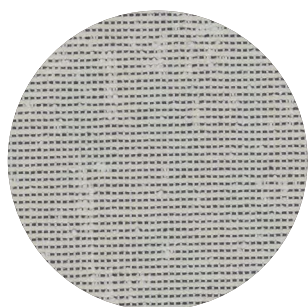
Fastness to rubbing (ISO) dry 3-5, wet 3-5

Pilling Note 3, EN ISO 12945



Memory 2 (20 colors)

kvadrat



Category E

Composition 100% Trevira CS

Weight 700 g/lin.m

Abrasion resistance

35.000 rubs acc. to the Martindale method, EN ISO 12947

Flammability EN 1021-1/2 | DIN 4102 B1 | Önorm B1/Q1

NF D 60 013 | NF P 92 507 M1 | UNI 9175 11M

UNI 9177 classe 1 | US Cal. Tech. Bull. 117

IMO A.652 (16)

Fastness to light Note 5-8, ISO 105-B02

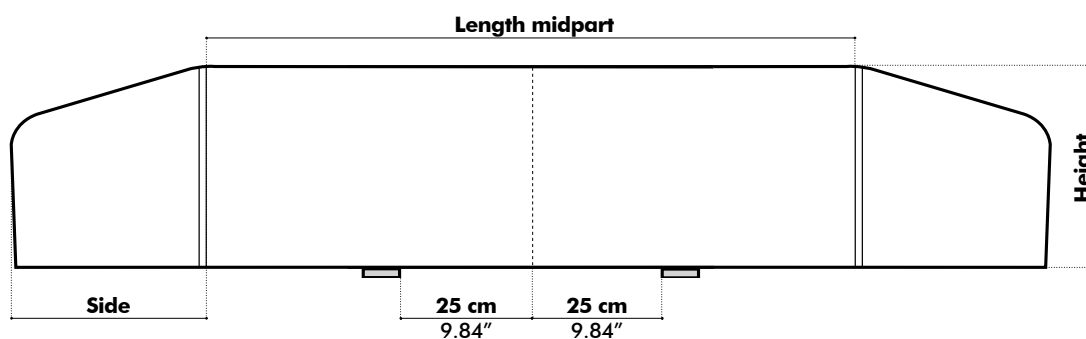
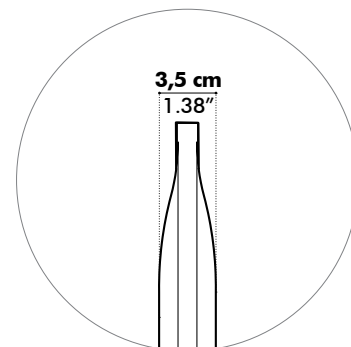
Fastness to rubbing (ISO) dry 4-5, wet 4-5

Pilling Note 4, EN ISO 12945



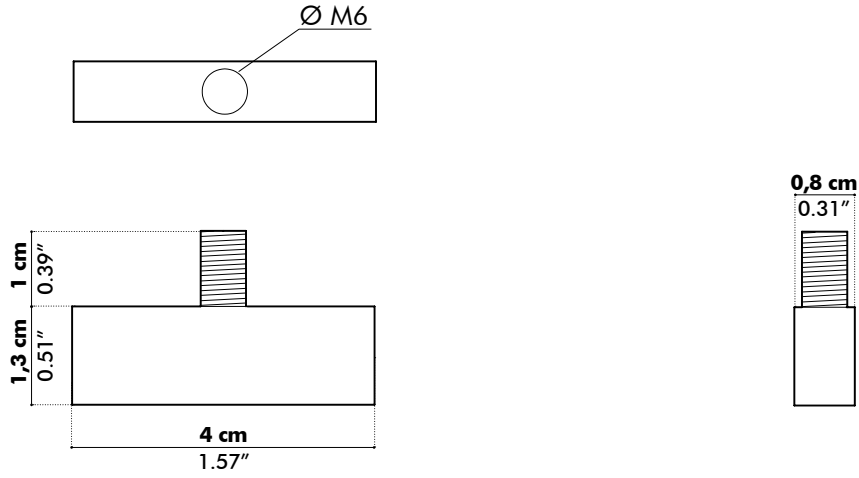
Dimensions

Desk FlipFlop

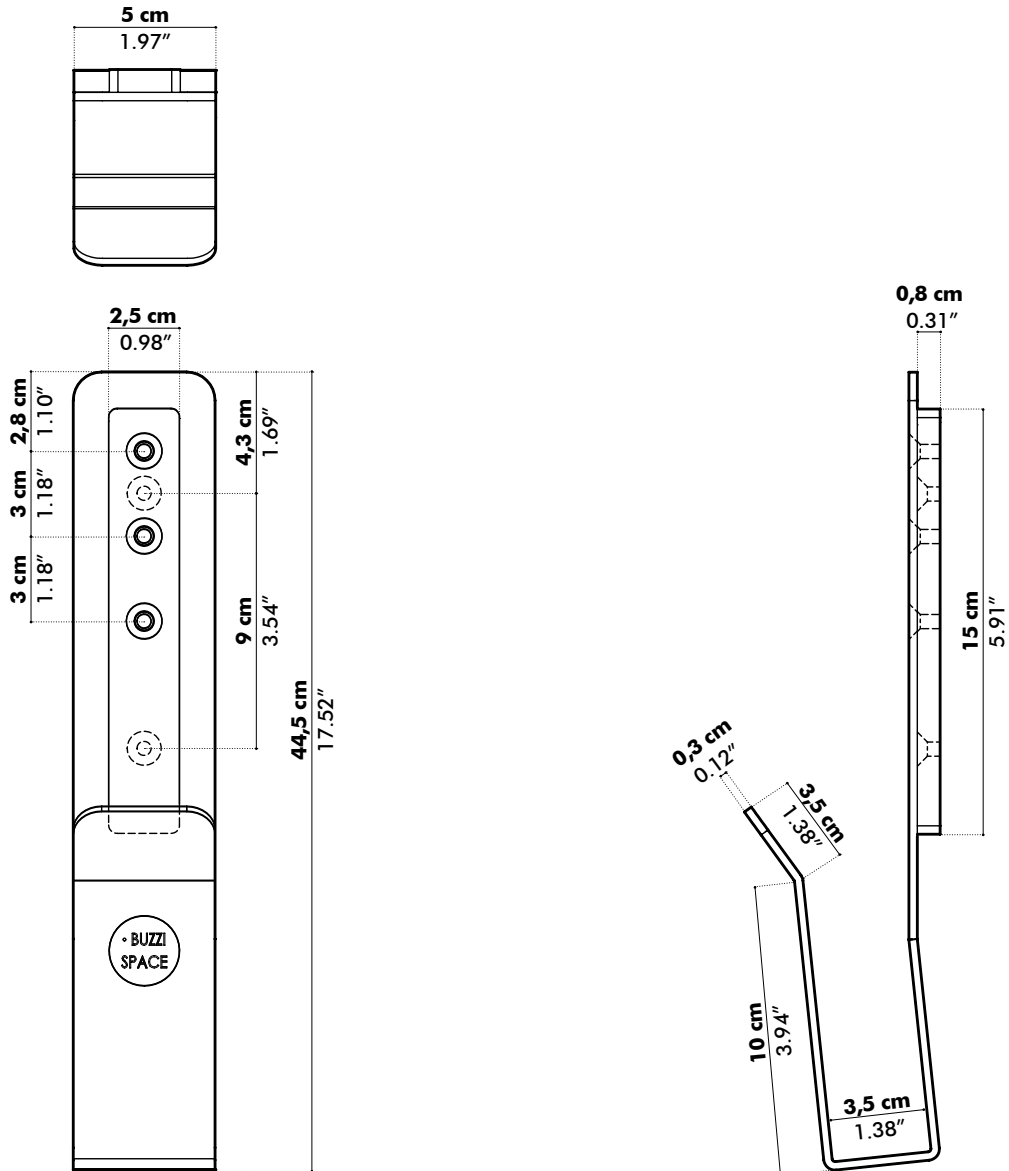


Height		Side		Length midpart	
35 cm	13.78"	37,5 cm	14.76"	80 cm	31.50"
50 cm	19.69"	50 cm	19.69"	100 cm	39.37"
				120 cm	47.24"
				140 cm	55.12"
				160 cm	62.99"
				180 cm	70.87"
				200 cm	78.74"

Sliders

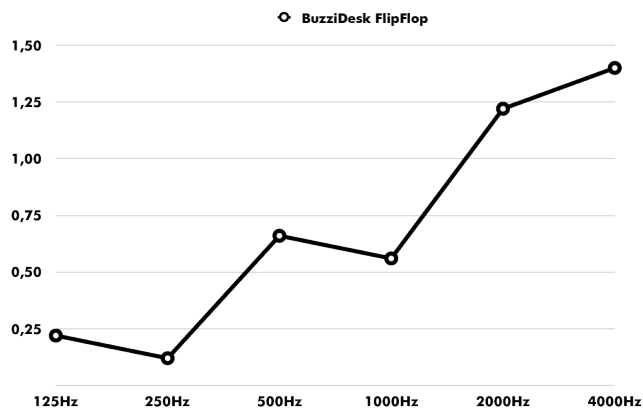


FixWall



Acoustics

Equivalent sound absorption area in m² per object



Hz	Aeq/m ²
125	0,22
250	0,12
500	0,66
1000	0,56
2000	1,22
4000	1,40