

---

# BuzziNordic ST400

## Product Specification Sheet

---

This document contains technical information about the BuzziNordic ST400



[www.buzzi.space](http://www.buzzi.space)






## The guards of our BuzziNordic collection

The shapes allow you to position the side table left or right next to your sofa. Highly functional for your evening tea, the daily newspaper or a table lamp. Finished off with brass cross under the solid wood table top. The perfect setting for a Mad Men scene.

Design by Ståffan Thomasen

---

## General

-  Left | Right
-  Legs and tabletop: Ash Black Stained or Walnut  
Connection part: brass
-  Dry use

---

## Content

Configurations	3
Finishes	3
Dimensions	4

# Configurations

---

## BuzziNordic ST401

📍 Left | Right

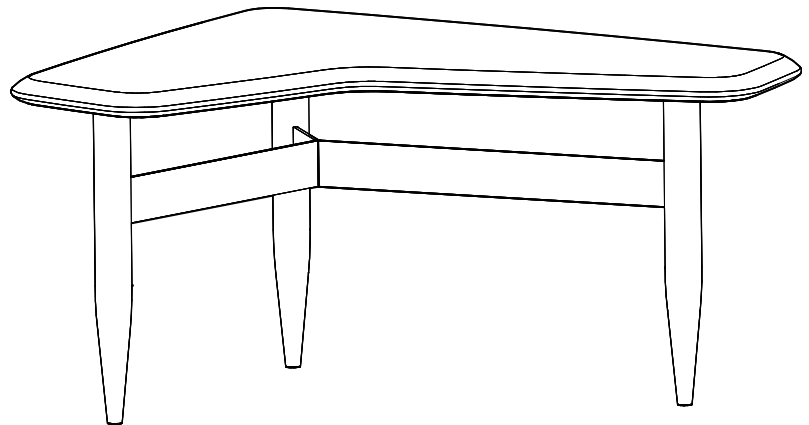


Legs and tabletop: Ash Black Stained or Walnut  
Connection part: brass



W 73 cm    D 59,5 cm    H 37,7 cm  
W 28.74"    D 23.43"    H 14.84"

⚖️ 6,2 kg | 13.67



## Finishes



Ash Black Stained

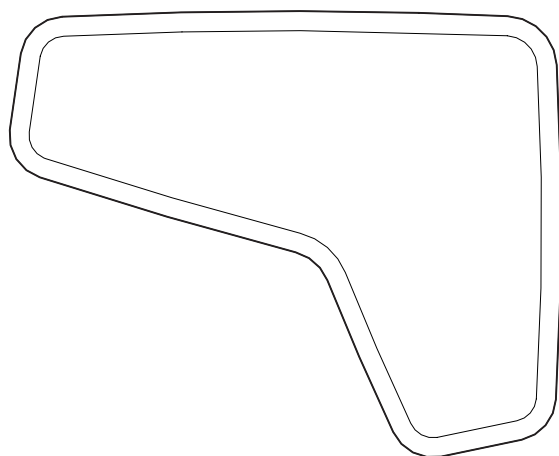
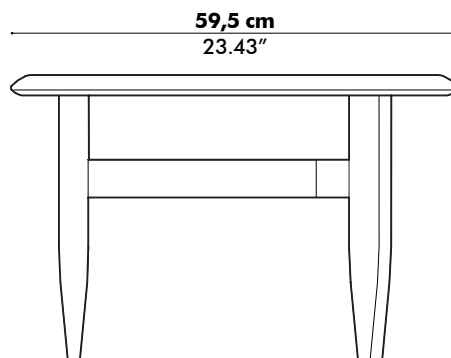
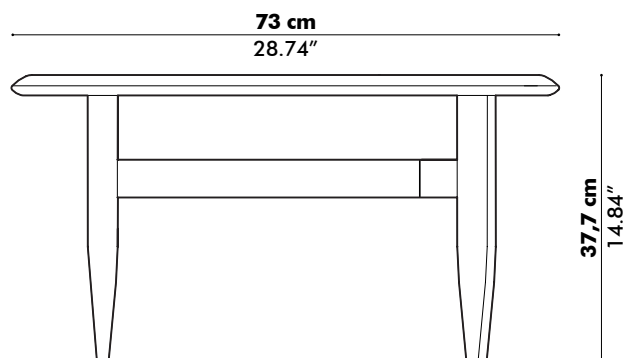


Walnut

# Dimensions

---

## Nordic ST401 Left



---

## Nordic ST401 Right

