
BuzziNordic ST600

Product Specification Sheet

This document contains technical information about the BuzziNordic ST600



www.buzzi.space



Gather in style


BuzziNordic ST600 features a modern take on Scandinavian influences. Ideal for creating Hubs for Togetherness, this Nordic style table is the perfect spot to gather for meetings, work, study, and brainstorming. Or substitute mundane dining tables with BuzziNordic ST600 for residential and hospitality environments.


BuzziNordic ST600's sleek and minimalist design is constructed from 100% PEFC-certified wood and arrives in either luxurious Ash Natural or Ash Black Stained; both finishes allow the table's wood characteristics to remain visible. Over time, BuzziNordic ST600 will age beautifully while remaining a talking point for the years to come.

Design by Ståffan Thomasen

General

 BuzziNordic ST600 Rectangular | Round

 Solid wood table

 Dry use

Certifications



PEFC™ PEFC/07-32-385

Content

Configurations	3
Finishes	3
Dimensions	4
Wood Disclaimer	6

Configurations

BuzziNordic ST600 Rectangular

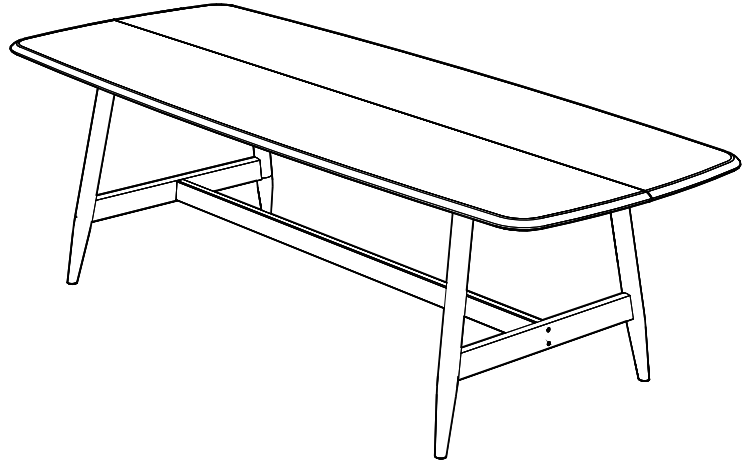
🌲 Top & Base: Solid wood Ash Natural or Ash Black Stained

✂ Length: 240 cm | 94.49"

✂ Width: 100 cm | 39.37"

✂ Height: 75 cm | 29.53"

⚖ 62 kg | 136.69 lbs



BuzziNordic ST600 Round

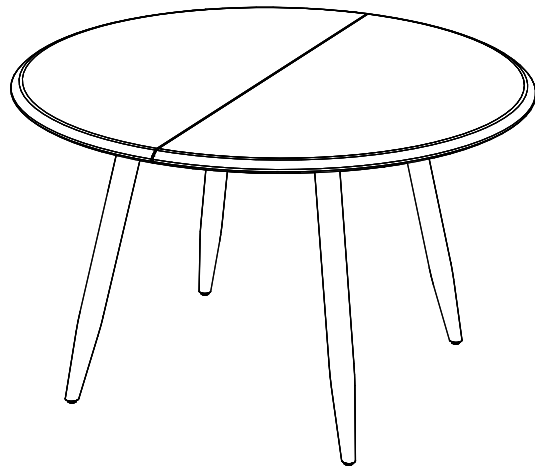
Top & Base: Solid wood Ash Natural or Ash Black Stained

Length: 120 cm | 47.24"

Width: 120 cm | 47.24"

Height: 75 cm | 29.53"

? kg | ? lbs



Finishes

Wood



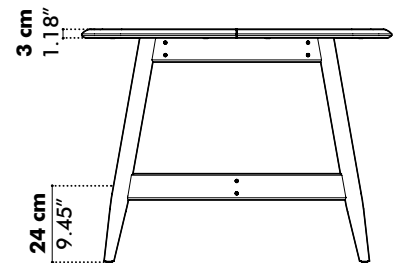
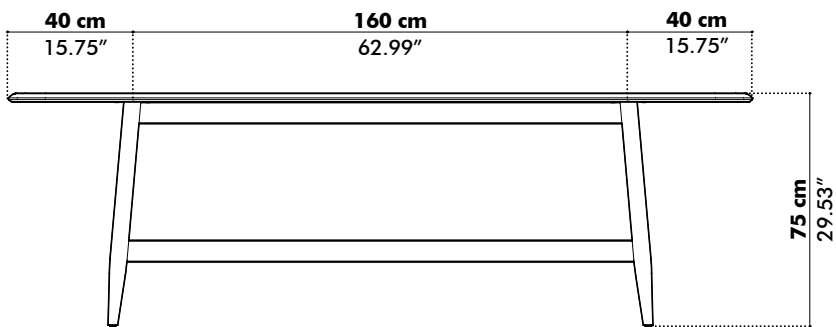
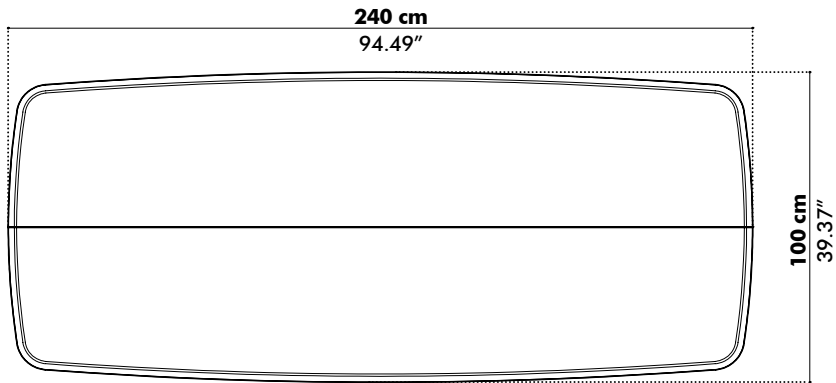
Ash Natural



Ash Black Stained

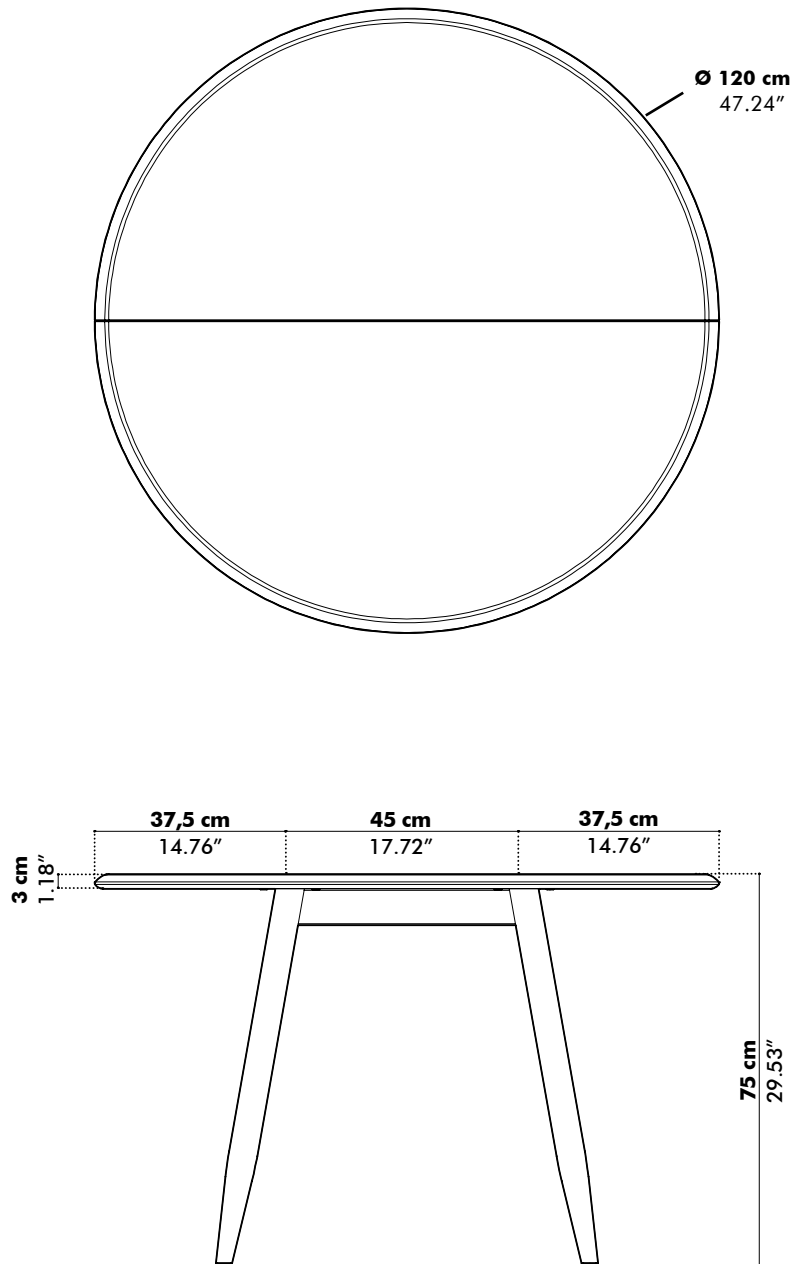
Dimensions

Nordic ST600 Rectangular



Dimensions

Nordic ST600 Round



Wood Disclaimer

Every tree is unique

Wood is a natural product and has variations. While we do our utmost to provide you with the finest and almost identical wood products, it is almost impossible to find two trees that are alike.

Following from the organic nature of wood, it develops its own character throughout the growth process, which is reflected in color, knots and structure. Every tree is unique, and therefore slight variations will appear in every piece of furniture.

The role of humidity

Over time, all wood products will absorb and release moisture. Consequently, humidity plays a crucial role in the right treatment of your wood products. Under dry conditions, low humidity levels, the wood shrinks and small cracks and splits can occur. On the contrary, high humidity levels will make the wood expand and restore cracks caused by dry conditions.

Please be aware, even weather changes can potentially prompt changes in wood, especially during months of high humidity levels and opposite during winter times when additional indoor heating is used, thereby making the air dryer.

Therefore, we advise to ensure a constant level of humidity through the use of humidifiers or water evaporators. Ideally, the indoor humidity levels must be between 50% and 60%.

Take good care of your wood products

To ensure maximum lifetime of wood products, good maintenance is key. Therefore, we would like to highlight a few measures you can take to avoid any unnecessary changes and/or damages to your products.

By placing your wood products in direct sunlight, color differences may occur over time. The same holds true for tableware that is placed on a table. Avoid placing any hot objects directly on the wood as this may cause rings to form.

As stated previously, wood is sensitive to moisture. Therefore, wipe off any excessive liquids immediately. Clean stain and veneer wood with a damp cloth, and if necessary, use an appropriate cleaning agent. Don't use any shaving or polishes that contain silicone as this may prompt permanent stains.

Remember, all types of wood are organic materials and the creation of small cracks and splints are natural consequences. Therefore, complaints that can be derived from this, will not be accepted.