
BuzziPeb

Product Specification Sheet

This document contains technical information about the BuzziPeb







www.buzzi.space

Create a serene environment

BuzziPebl is crafted from our signature high-performant foam and can be upholstered in a range of high-quality fabrics. Depending on your needs, the acoustic panel can be ceiling-suspended or wall-mounted. BuzziPebl is available in two shapes and two sizes, so you can easily mix and match.

Design by BuzziSpace Studio

General

-  BuzziPebl One | Two
Wall Mounted | Ceiling Suspended
-  Upholstered acoustic foam element with MDF backing
Cover: Fabric, Tonus 4
-  Dry Use
-  Assembled

Acoustics



Absorption



Low tone



Mid tone



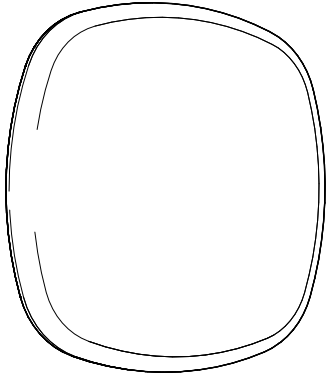
High tone

Content

Configurations	3
Fabrics	4
Fixing Systems	5
Dimensions	6

Configurations

BuzziPebl One



Upholstered acoustic foam element with MDF backing
Cover: Fabric, Tonus 4

Medium: Width: 78 cm | 30.71"

Height: 78 cm | 30.71"

Depth: 7 cm | 2.76"



Large: Width: 115 cm | 45.28"

Height: 115 cm | 45.28"

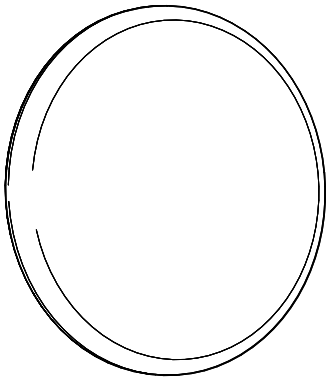
Depth: 7 cm | 2.76"



Medium: 5,2 kg | 11.46 lbs

Large: 11,5 kg | 25.35 lbs

BuzziPebl Two



Upholstered acoustic foam element with MDF backing
Cover: Fabric, Tonus 4

Medium: Ø: 78 cm | 30.71"

Depth: 7 cm | 2.76"



Large: Ø: 115 cm | 45.28"

Depth: 7 cm | 2.76"

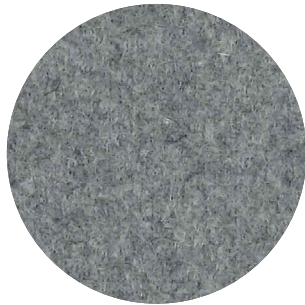


Medium: 5 kg | 11.02 lbs

Large: 10 kg | 22.05 lbs

Fabrics

Fabric (45 colors)



Category A

Composition 70% Recycled Wool, 25% Recycled Polyacryl,
5% Recycled Other Fabrics

Weight 405 g/m² | 11.94 oz/yd²

Abrasion resistance 40.000 Martindale, 50,000 Wyzenbeek

Flammability EU: EN 1021.1/2006 | BS EN 1021.1/2006 (cigarette).
EN 1021.2/2006 | BS EN 1021.2/2006 (match)

USA: CAL TB 117 | ASTM E84 CLASS A

Fastness to light EU: 4 | USA 4

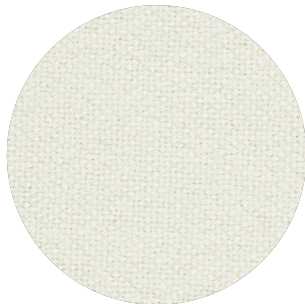
Fastness to rubbing EU: Wet 3-4 | Dry 4-5

Fastness to crocking USA: Wet 5 | Dry 5



Tonus 4 (47 colors)

kvadrat



Category D

Composition 90% new wool, 10% Helanca

Weight 665 g/lin.m

Abrasion resistance 100.000 Martindale rubs, EN ISO 12947

Flammability EN 1021-1/2 | BS 5852 part 1 | DIN 4102 B2

Önorm B1/Q1 | NF D 60 013 | UNI 9175 11M

US Cal. Bull. 117-2013 | NFPA 260 | IMO A.652 (16)

Fastness to light Note 5-7, ISO 105-B02

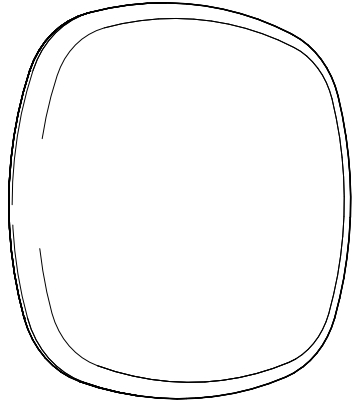
Fastness to rubbing (ISO) dry 3-5, wet 3-5

Pilling Note 3, EN ISO 12945



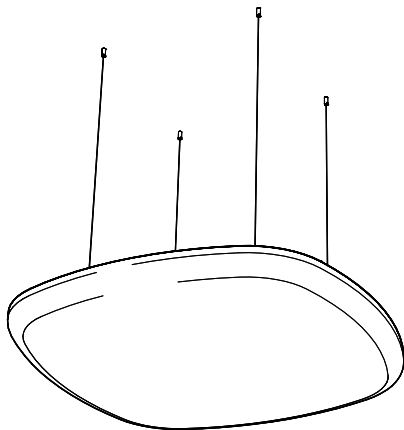
Fixing Systems

Wall Mounted (included)



According to the specifications of the wall, it's recommended to use the appropriate plugs.

Ceiling Suspended (included)



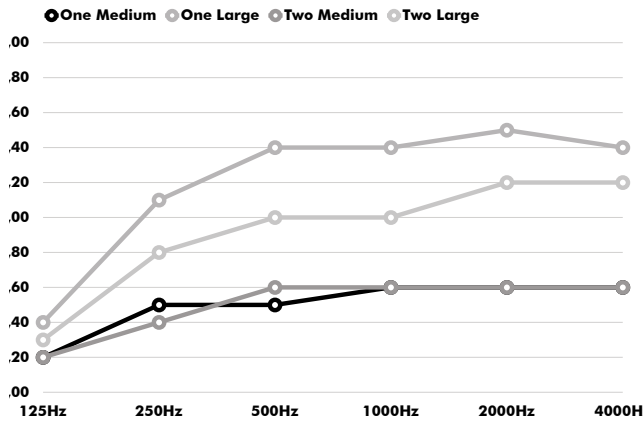
Black or Alu cables of 2 or 5 m | 78.74" or 196.85"

Minimum distance from ceiling is 8 cm | 3.15" for Medium and 10 cm | 3.94" for the large version.

If installing on suspended ceiling, verify load capacity prior to installation.

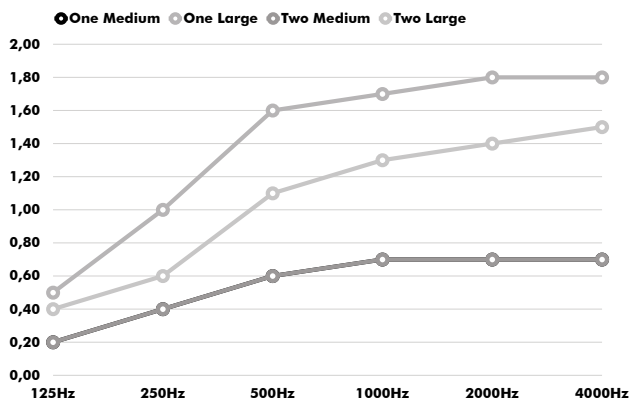
Acoustics

BuzziPebl Wall Mounted Equivalent sound absorption area in m² per object



Hz	One Medium Aeq/m ²	One Large Aeq/m ²	Two Medium Aeq/m ²	Two Large Aeq/m ²
125	0.20	0.40	0.20	0.30
250	0.50	1.10	0.40	0.80
500	0.50	1.40	0.60	1.00
1000	0.60	1.40	0.60	1.00
2000	0.60	1.50	0.60	1.20
4000	0.60	1.40	0.60	1.20

BuzziPebl Suspended Equivalent sound absorption area in m² per object



Hz	One Medium Aeq/m ²	One Large Aeq/m ²	Two Medium Aeq/m ²	Two Large Aeq/m ²
125	0.20	0.50	0.20	0.40
250	0.40	1.00	0.40	0.60
500	0.60	1.60	0.60	1.10
1000	0.70	1.70	0.70	1.30
2000	0.70	1.80	0.70	1.40
4000	0.70	1.80	0.70	1.50

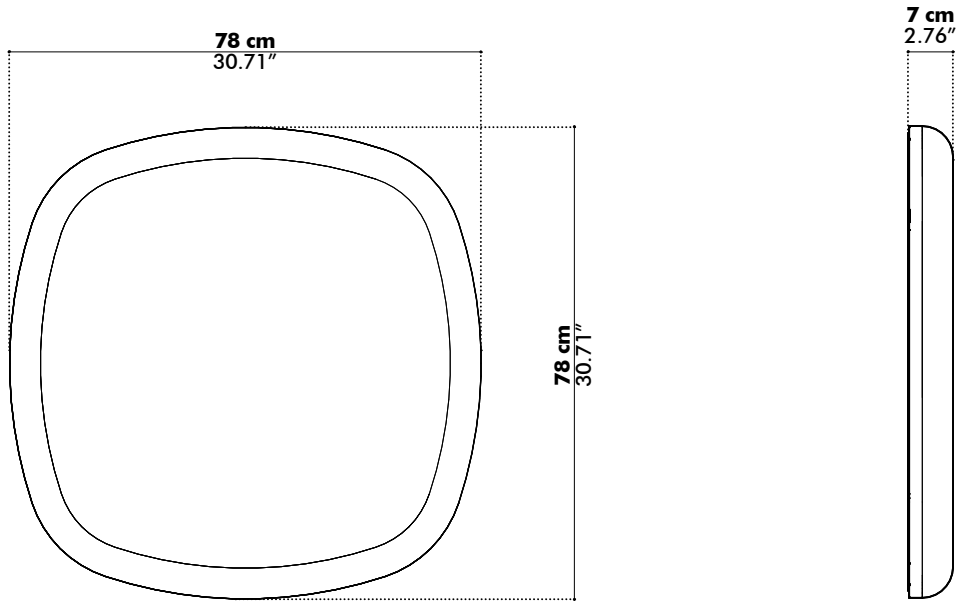
Absorption values

NRC **0.95**
(ASTM - C423)

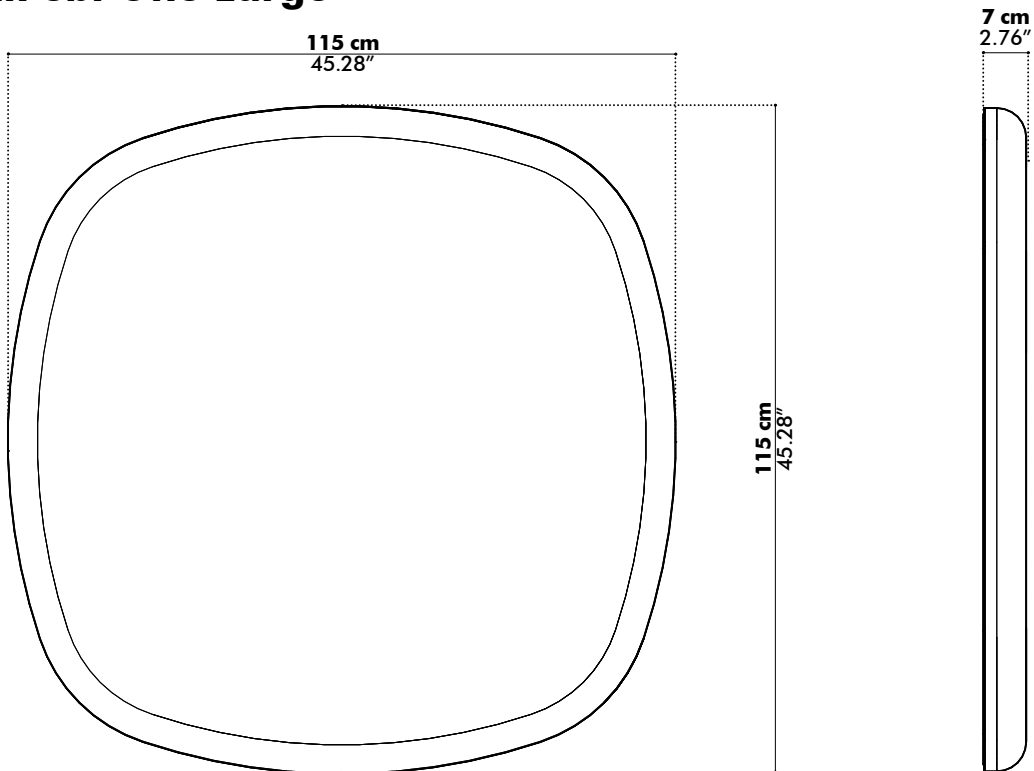
SAA **0.96**
(ASTM-C423)

Dimensions BuzziPebl

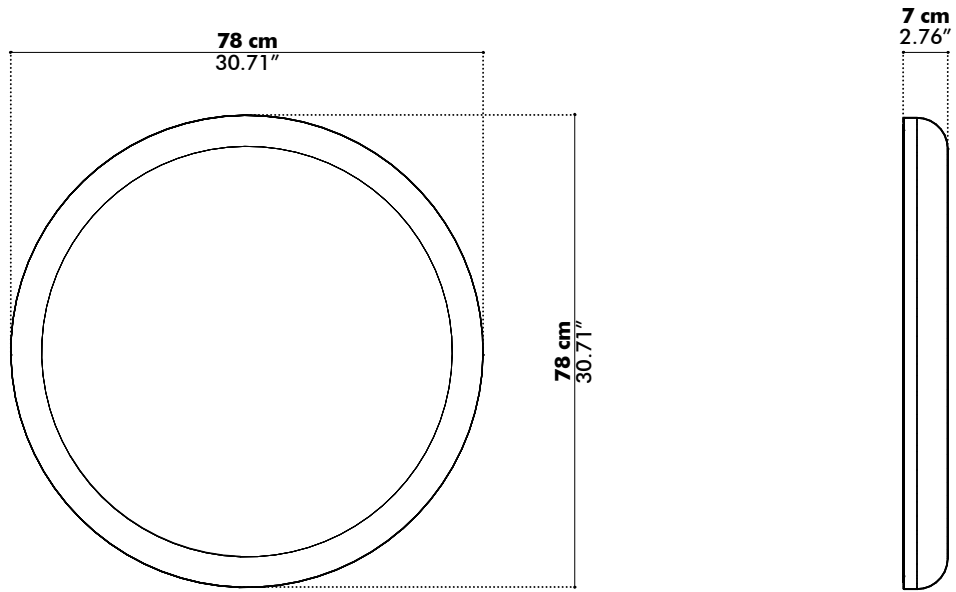
BuzziPebl One Medium



BuzziPebl One Large



BuzziPeb1 Two Medium



BuzziPeb1 Two Large

