
BuzziK

Product Specification Sheet

This document contains technical information about the BuzziK








www.buzzi.space

Acoustic seating fit for a king

With its high density of acoustic material, BuzziK is a private cocoon that helps cancel out distractions and excessive noise. And due to its rotating base, it allows for different levels of privacy without changing your seat. Pair it with the matching BuzziK Ottoman for the ultimate relaxation spot in any workspace or home. Additionally, complement BuzziK with BuzziQ for a perfect Hubs for Togetherness setup.

General

-  BuzziK | BuzziK Ottoman
-  Cushions: Acoustic foam covered with fabric
-  Foot: metal swivel base, powder coated in Black (RAL 9005)
Cover upholstered in Fabric Nude 70
-  Dry use
-  Fully Assembled

Acoustics



Absorption



Diffusion



Mid tone



High tone

Content

Configurations	3
Fabrics	4
Dimensions	5

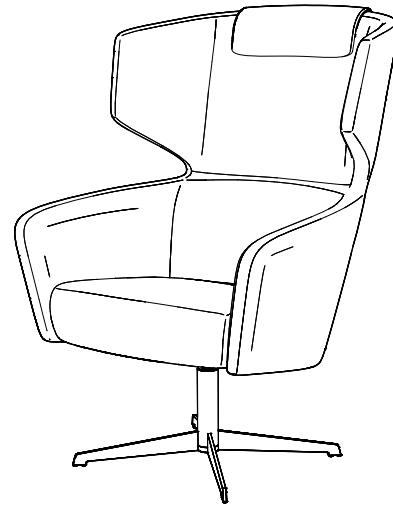
Configurations

BuzziK

🌲 Cushions: Acoustic foam covered with fabric
Foot: metal swivel base, powder coated in Black (RAL 9005)
Cover upholstered in Fabric Nude 70

✂ W 76 cm D 82 cm H 102 cm
W 29.92" D 32.28" H 40.16"

⚖ 19,3 kg | 42.55 lbs



BuzziK Ottoman

🌲 Cushions: Acoustic foam covered with fabric
Foot: metal swivel base, powder coated in Black (RAL 9005)
Cover upholstered in Fabric Nude 70

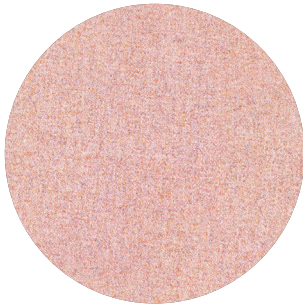
✂ W 55 cm D 55 cm H 40 cm
W 21.65" D 21.65" H 15.75"

⚖ 9,3 kg | 20.50 lbs



Fabrics

Fabric Nude 70



Category A

Composition 70% Recycled Wool, 25% Recycled Polyacryl,
5% Recycled Other Fabrics

Weight 405 g/m² | 11.94 oz/yd²

Abrasion resistance 40.000 Martindale, 50,000 Wyzenbeek

Flammability EU: EN 1021.1/2006 | BS EN 1021.1/2006 (cigarette).
EN 1021.2/2006 | BS EN 1021.2/2006 (match)
USA: CAL TB 117 | ASTM E84 CLASS A

Fastness to light EU: 4 | USA 4

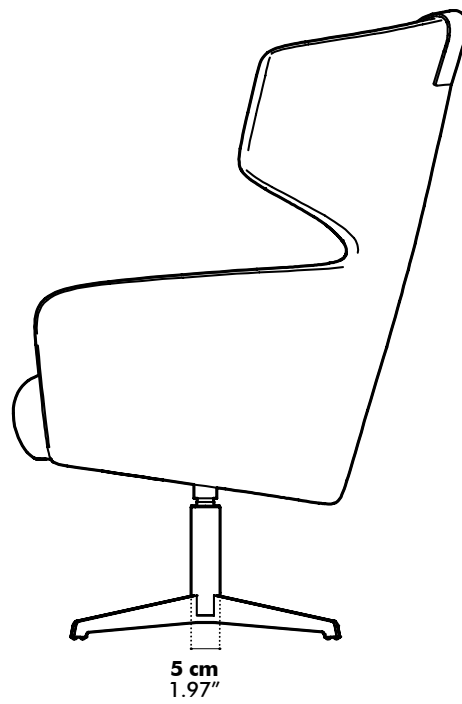
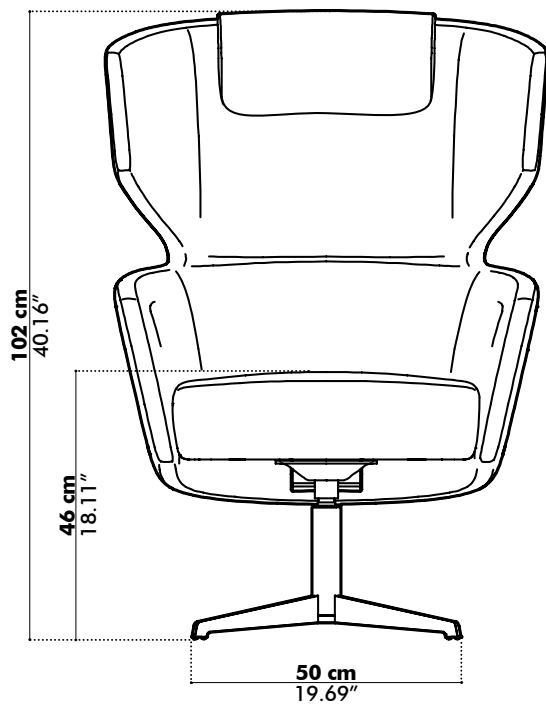
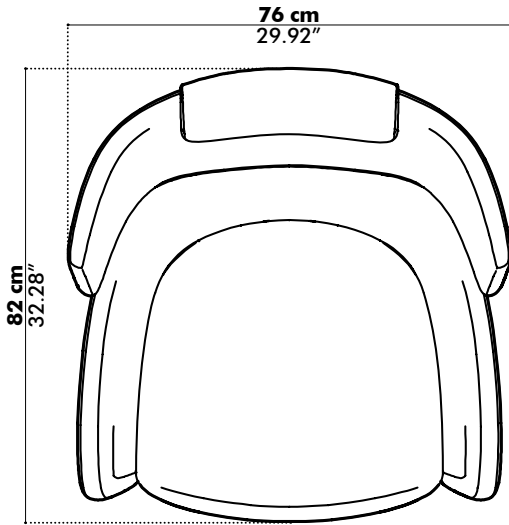
Fastness to rubbing EU: Wet 3-4 | Dry 4-5

Fastness to crocking USA: Wet 5 | Dry 5

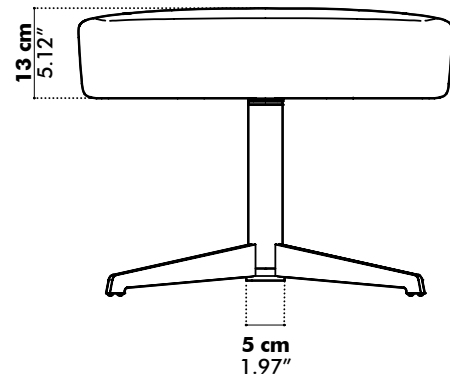
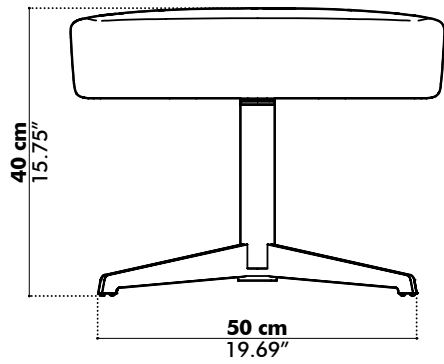
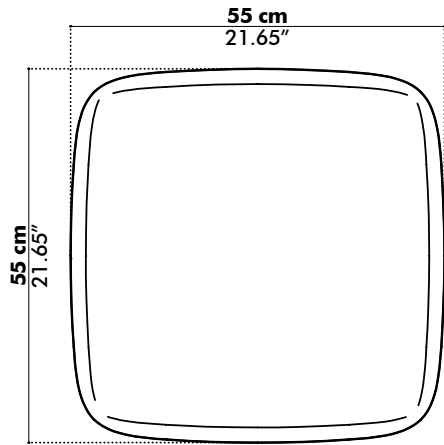


Dimensions

BuzziK



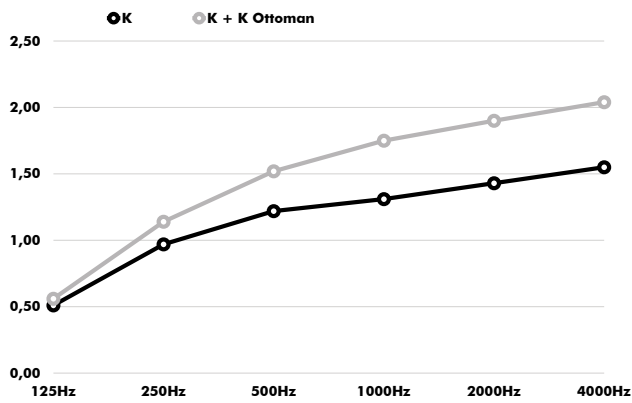
BuzziK Ottoman



Acoustics

BuzziK

Equivalent sound absorption area in m² per object



Hz	K Aeq/m ²	K + K Ottoman Aeq/m ²
125	0.51	0.56
250	0.97	1.14
500	1.22	1.52
1000	1.31	1.75
2000	1.43	1.90
4000	1.55	2.04