
BuzziTube Square

Product Specification Sheet

This document contains technical information about the BuzziTube Square









www.buzzi.space

Elevate your ceilings

BuzziTube Square is a functional and aesthetically pleasing suspended acoustic ceiling panel that combines sound-absorbing properties with a clean and symmetrical form. Available in five different sizes, BuzziTube Square can be arranged in various configurations to achieve your desired acoustic and visual effects. Use the solution individually or combine different models to create unique designs and aesthetics. The ceiling-suspended acoustic panel can be integrated with pre-existing lighting fixtures for a dual-purpose solution.

Design by BuzziSpace Studio

General

-  Ceiling Suspended
S | M | L | XL | XXL
-  Upholstered acoustic foam element
Powder coated metal frame in white (RAL 9010)
Cover: Fabric, Trevira CS+ | CS, Clara 2, Remix 3, Hero 2, Tonus 4 or Memory 2
-  Dry Use
-  Assembled
-  Ceiling Suspended Straight
-  If installing on suspended ceiling, verify load capacity prior to installation.

Acoustics

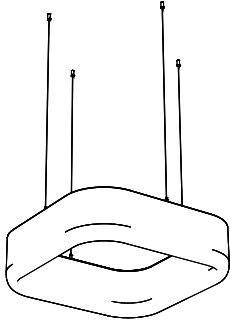


Content

Configurations	3
Mounting	5
Fabrics	6
Dimensions	9
Acoustics	13

Configuration

BuzziTube Square S



📍 Ceiling Suspended

Upholstered acoustic foam element

Powder coated metal frame in white (RAL 9010)



Cover: Fabric, Trevira CS+ | CS, Clara 2, Remix 3, Hero 2, Tonus 4 or Memory 2



Width: 80 cm Depth: 80 cm Height: 22,5 cm
Width: 31.50" Depth: 31.50" Height: 8.86"



5,9 kg | 13 lbs



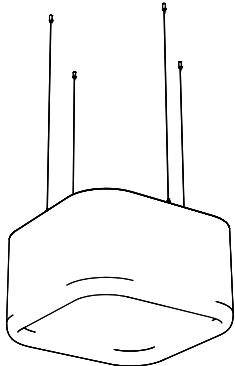
Ceiling Suspended Straight

4x black or alu cables 2 or 5 m | 78.74" or 196.85"



If installing on suspended ceiling, verify load capacity prior to installation.

BuzziTube Square M



📍 Ceiling Suspended

Upholstered acoustic foam element

Powder coated metal frame in white (RAL 9010)



Cover: Fabric, Trevira CS+ | CS, Clara 2, Remix 3, Hero 2, Tonus 4 or Memory 2



Width: 80 cm Depth: 80 cm Height: 45 cm
Width: 31.50" Depth: 31.50" Height: 17.72"



7 kg | 15.43 lbs



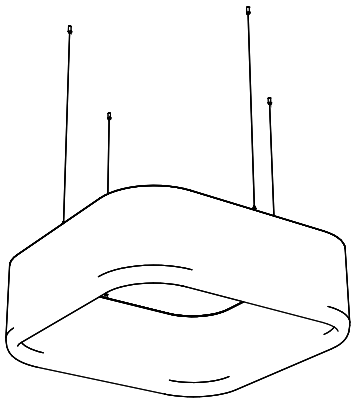
Ceiling Suspended Straight

4x black or alu cables 2 or 5 m | 78.74" or 196.85"



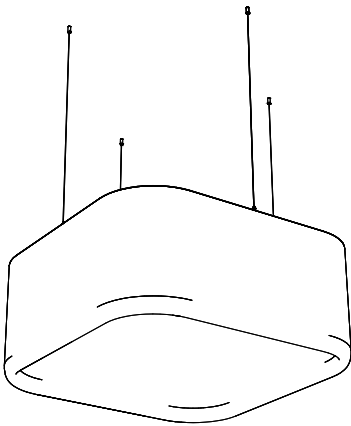
If installing on suspended ceiling, verify load capacity prior to installation.

BuzziTube Square L



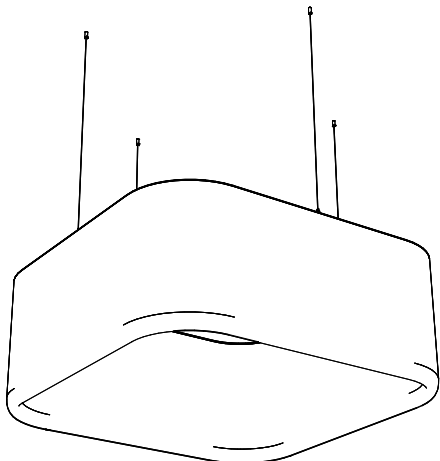
- ◆ Ceiling Suspended
- Upholstered acoustic foam element
- 🌲 Powder coated metal frame in white (RAL 9010)
- Cover: Fabric, Trevira CS+ | CS, Clara 2, Remix 3, Hero 2, Tonus 4 or Memory 2
- ✂ Width: 120 cm Depth: 120 cm Height: 40 cm
Width: 47.24" Depth: 47.24" Height: 15.75"
- ⚖ 12,2 kg | 26.9 lbs
- ⋮ Ceiling Suspended Straight
- 4x black or alu cables 2 or 5 m | 78.74" or 196.85"
- ⚠ If installing on suspended ceiling, verify load capacity prior to installation.

BuzziTube Square XL



- ◆ Ceiling Suspended
- Upholstered acoustic foam element
- 🌲 Powder coated metal frame in white (RAL 9010)
- Cover: Fabric, Trevira CS+ | CS, Clara 2, Remix 3, Hero 2, Tonus 4 or Memory 2
- ✂ Width: 120 cm Depth: 120 cm Height: 52,5 cm
Width: 47.24" Depth: 47.24" Height: 20.67"
- ⚖ 13,2 kg | 29.1 lbs
- ⋮ Ceiling Suspended Straight
- 4x black or alu cables 2 or 5 m | 78.74" or 196.85"
- ⚠ If installing on suspended ceiling, verify load capacity prior to installation.

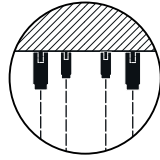
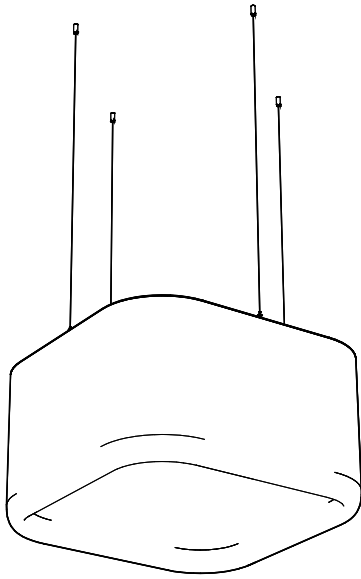
BuzziTube Square XXL



- ◆ Ceiling Suspended
- Upholstered acoustic foam element
- 🌲 Powder coated metal frame in white (RAL 9010)
- Cover: Fabric, Trevira CS+ | CS, Revive 1, Clara 2, Remix 3, Hero 2, Tonus 4 or Memory 2
- ✂ Width: 147 cm Depth: 147 cm Height: 60 cm
Width: 57.87" Depth: 57.87" Height: 23.62"
- ⚖ 18 kg | 39.68 lbs
- ⋮ Ceiling Suspended Straight
- 4x black or alu cables 2 or 5 m | 78.74" or 196.85"
- ⚠ If installing on suspended ceiling, verify load capacity prior to installation.

Mounting

Ceiling Suspended Straight



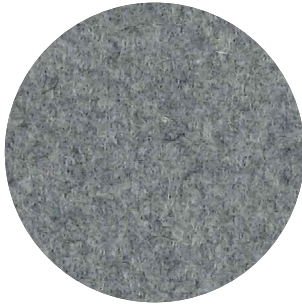
Ceiling Suspended Straight

Fixing System Screw with:

4 cables of 2 or 5 m | 78.74" or 196.85" (black or alu)

Fabrics

Fabric (45 colors)



Category A

Composition 70% Recycled Wool, 25% Recycled Polyacryl,
5% Recycled Other Fabrics

Weight 405 g/m² | 11.94 oz/yd²

Abrasion resistance 40.000 Martindale, 50,000 Wyzenbeek

Flammability EU: EN 1021.1/2006 | BS EN 1021.1/2006 (cigarette).
EN 1021.2/2006 | BS EN 1021.2/2006 (match)
USA: CAL TB 117 | ASTM E84 CLASS A

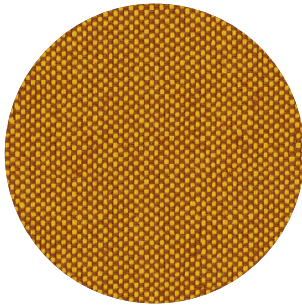
Fastness to light EU: 4 | USA 4

Fastness to rubbing EU: Wet 3-4 | Dry 4-5

Fastness to crocking USA: Wet 5 | Dry 5



Trevira CS+ | CS (47 colors)



Category A

Weight 420 g/m² | 12.39 oz/yd²

Composition 100% Polyester, Trevira CS

Abrasion resistance 100.000 Martindale, 90,000 Wyzenbeek

Flammability BS 5852 part II: CRIB 5 | BS 7176 Medium Hazard
USA: CAL TB 117 | M1 | B1 | EN 1021/1-2 | C1 |
IMO Res. A652 (16)

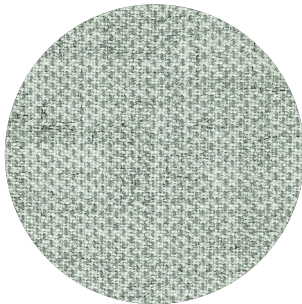
Fastness to light EU: 6 | USA 5

Fastness to rubbing EU: Wet 4-5 | Dry 4-5

Fastness to crocking USA: Wet 5 | Dry 5



Clara 2 (24 colors)



Category B

Composition 92% new wool, 8% nylon

Weight 400 g/lin.m

Abrasion resistance 80.000 Martindale rubs, EN ISO 12947

Flammability EN 1021-1/2 | BS 5852, ignition source 2-3 | DIN 4102 B2
NF D 60 013 | UNI 9175 1IM | US Cal. Tech. Bull. 117, Sec. E
NFPA 260 | IMO A.652(16)

Fastness to light Note 5-7, ISO 105-B02

Fastness to rubbing (ISO) dry 4-5, wet 4

Pilling Note 4, EN ISO 12945



kvadrat

Remix 3 (73 colors)

kvadrat



Category B

Composition 90% new wool, 10% nylon

Weight 415 g/lin.m

Abrasion resistance 100.000 Martindale rubs, EN ISO 12947

Flammability EN 1021-1/2 | BS 5852 part 1

Önorm B1/Q1 | NF D 60 013 | UNI 9175, 1IM

AS/NZS 1530.3 | Cal. Tech. Bull. 117-2013

NFPA 260 | IMO FTP Code 2010:Part 8

Fastness to light Note 5-7, ISO 105-B02

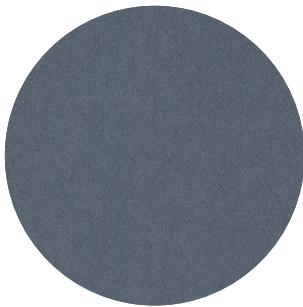
Fastness to rubbing (ISO) dry 4-5, wet 4

Pilling Note 4, EN ISO 12945



Hero 2 (33 colors)

kvadrat



Category C

Composition 97% new wool, 3% nylon

Weight 580 g/lin.m

Abrasion resistance 45.000 Martindale rubs, EN ISO 12947

Flammability EN 1021-1/2 | DIN 4102 B2 | NF D 60 013

UNI 9175 1IM | US Cal. Bull. 117-2013 | NFPA 260

IMO A.652 (16)

Fastness to light Note 5-6, ISO 105-B02

Fastness to rubbing (ISO) dry 4-5, wet 4-5

Pilling Note 3-4, EN ISO 12945



Tonus 4 (47 colors)

kvadrat



Category D

Composition 90% new wool, 10% Helanca

Weight 665 g/lin.m

Abrasion resistance 100.000 Martindale rubs, EN ISO 12947

Flammability EN 1021-1/2 | BS 5852 part 1 | DIN 4102 B2

Önorm B1/Q1 | NF D 60 013 | UNI 9175 1IM

US Cal. Bull. 117-2013 | NFPA 260 | IMO A.652 (16)

Fastness to light Note 5-7, ISO 105-B02

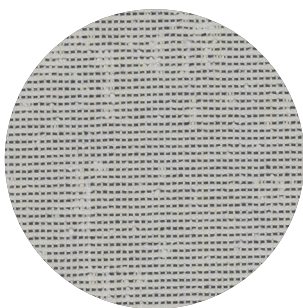
Fastness to rubbing (ISO) dry 3-5, wet 3-5

Pilling Note 3, EN ISO 12945



Memory 2 (20 colors)

kvadrat



Category E

Composition 100% Trevira CS

Weight 700 g/lin.m

Abrasion resistance

35.000 rubs acc. to the Martindale method, EN ISO 12947

Flammability EN 1021-1/2 | DIN 4102 B1 | Önorm B1/Q1

NF D 60 013 | NF P 92 507 M1 | UNI 9175 1IM

UNI 9177 classe 1 | US Cal. Tech. Bull. 117

IMO A.652 (16)

Fastness to light Note 5-8, ISO 105-B02

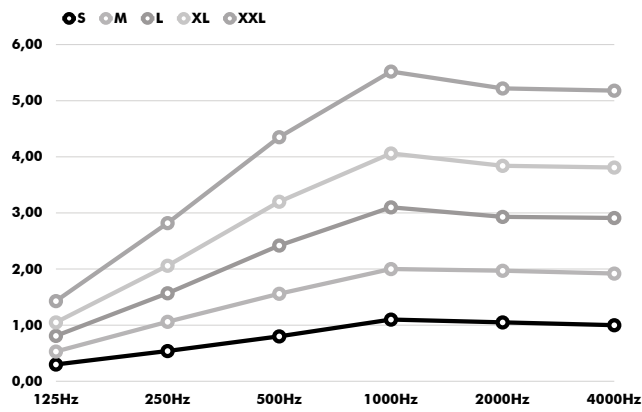
Fastness to rubbing (ISO) dry 4-5, wet 4-5

Pilling Note 4, EN ISO 12945



Acoustics

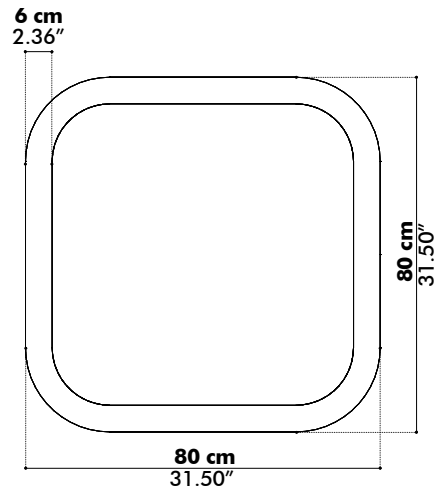
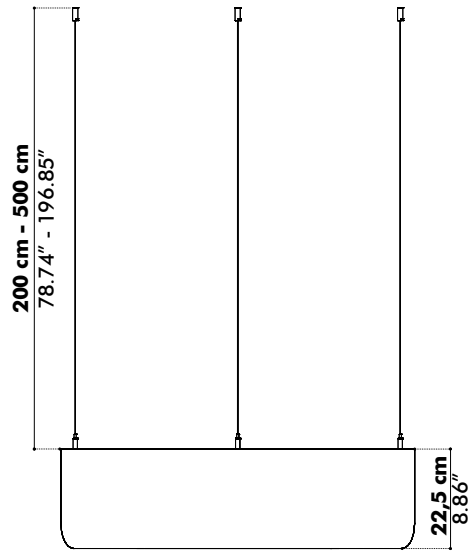
BuzziTube Square Equivalent sound absorption area in m² per object



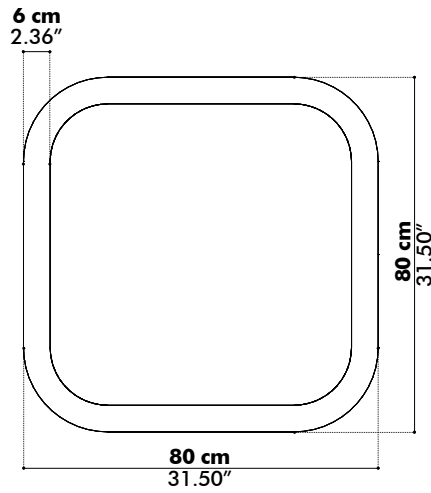
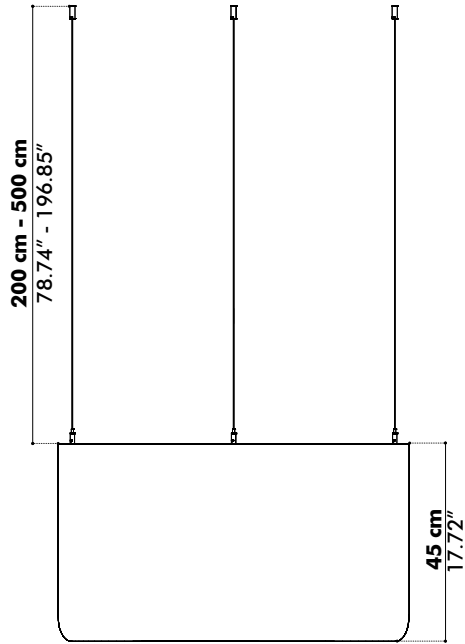
Hz	S Aeq/m ²	M Aeq/m ²	L Aeq/m ²	XL Aeq/m ²	XXL Aeq/m ²
125	0.30	0.53	0.81	1.05	1.43
250	0.54	1.06	1.57	2.06	2.82
500	0.80	1.56	2.42	3.20	4.35
1000	1.10	2.00	3.10	4.06	5.52
2000	1.05	1.97	2.93	3.84	5.22
4000	1.00	1.92	2.91	3.81	5.18

Dimensions

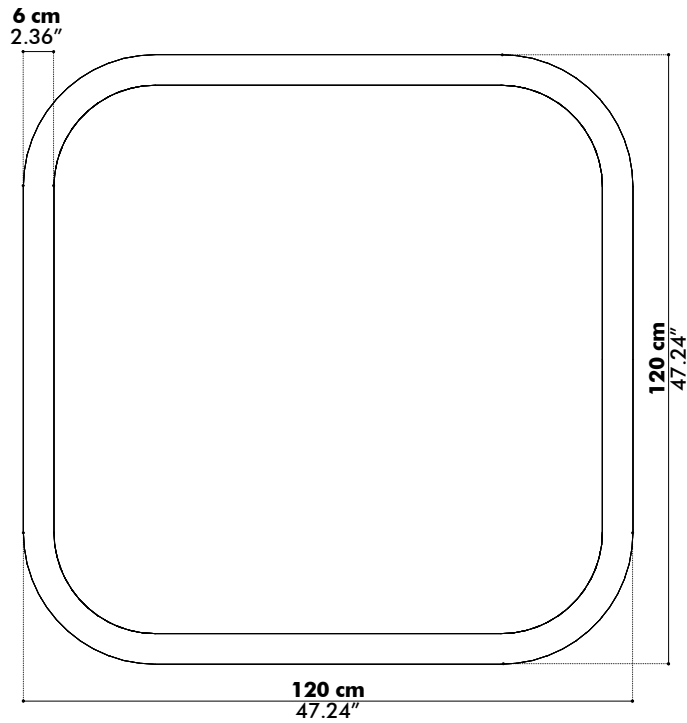
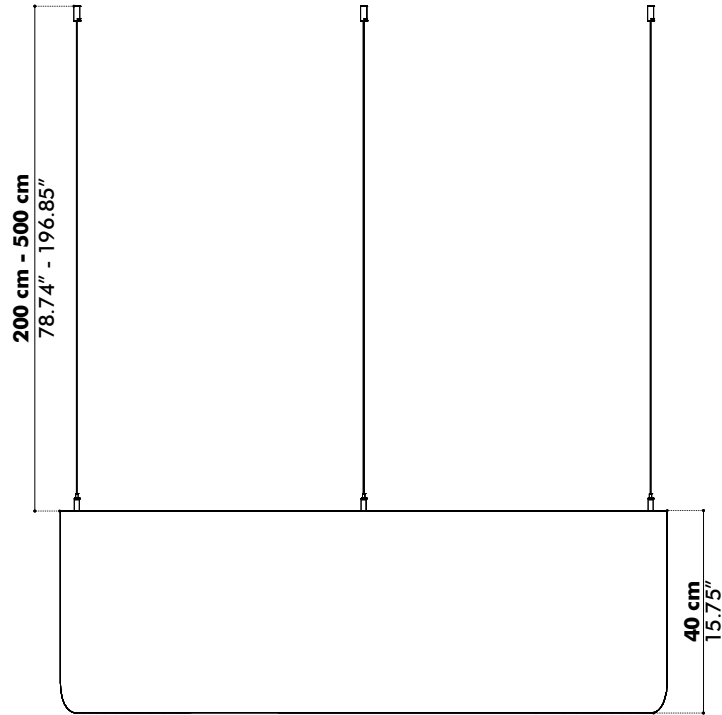
BuzziTube Square S



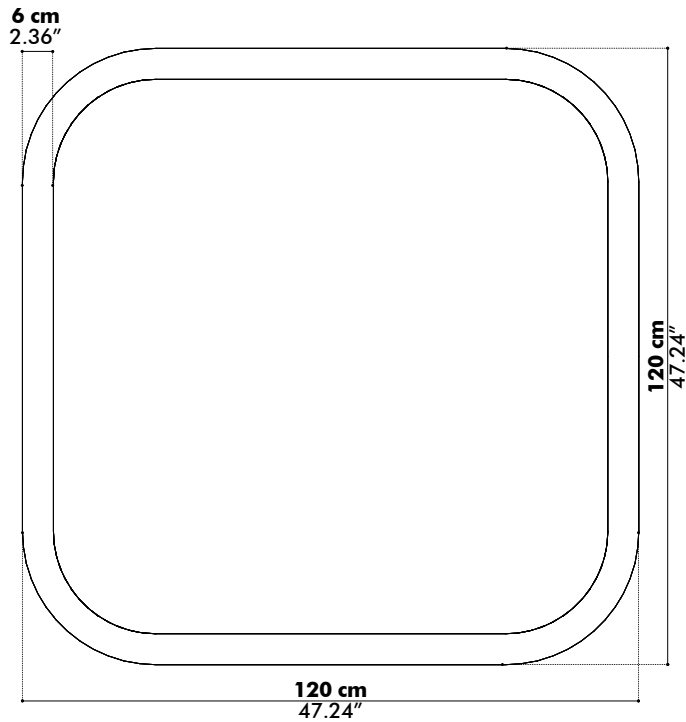
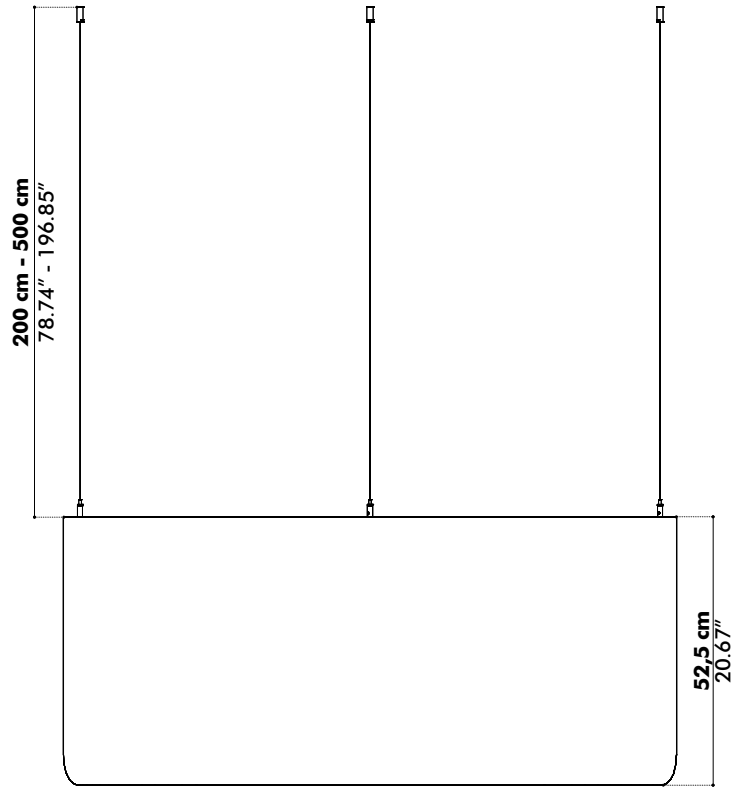
BuzziTube Square M



BuzziTube Square L



BuzziTube Square XL



BuzziTube Square XXL

