



BuzziGrid

Product Specification Sheet

This document contains technical information about the BuzziGrid



Ceiling element in BuzziFelt

The BuzziGrid is a sound buffer that limits the echo in a room.

It takes its formal inspiration from the structures that have been widely used in the 60's and 70's to partially hide ceilings in public spaces. In this case the grid has been turned into a functional sound absorbing product that can be used in meeting rooms, in lobbies, or in public spaces in order to define specific areas.

Design by Alain Gilles

General



BuzziGrid
Pendant Fixing

Core: white PVC 4 mm | 0.16"



Cover: BuzziFelt 6 mm | 0.24" (Both Sides)

Aluminium cable set: 200 cm | 78.74"
Ø 1,5 mm | Ø 0.06"



W 183 cm L 300 cm H 20,5 cm
W 72.05" L 118.11" H 8.07"



28,4 kg | 62,61lbs



Aluminium cable set 500 cm | 196,85"
Bicolor (every panel has one side in a different color)



The product must be suspended on a solid structure or ceiling, taking into account the weight of the product and the local regulation.

Acoustics



Absorption



Diffusion



Attenuation



Mid tone



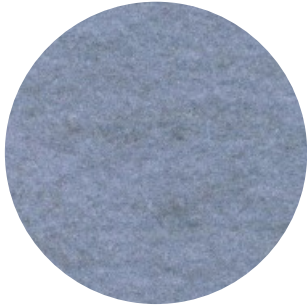
High tone

Content

Fabrics	3
Fixing system	3
Dimensions	4
Acoustics	6

Fabrics

Felt



Composition 100% Recycled P.E.T. Felt, latex backing

Weight 1.000 g/m² | 29.49 oz/yd²

Abrasion resistance >7.000 Martindale

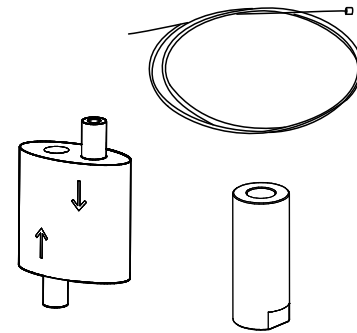
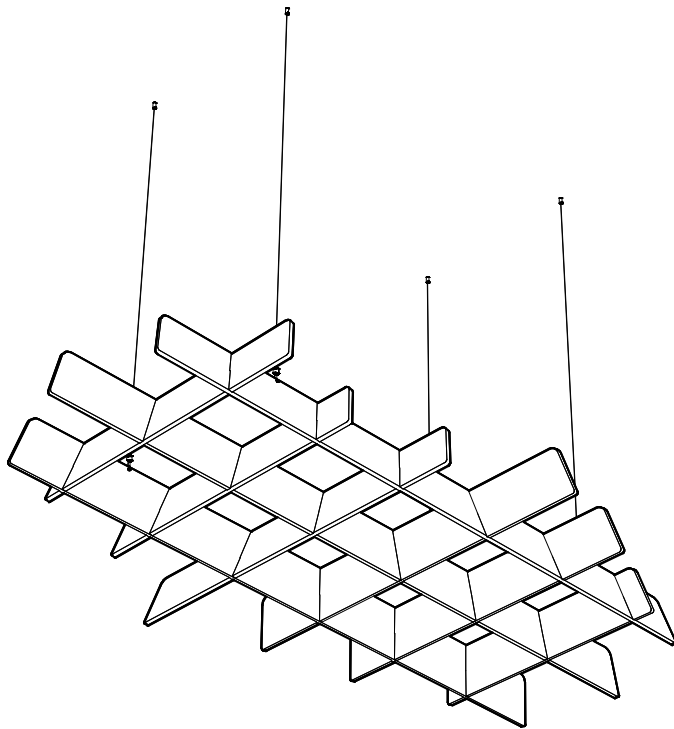
Flammability EU: EN 13501.1 + A1/2009 Class B-s1,d0

USA: ASTM E84 Class A certified

Fastness to light USA 5

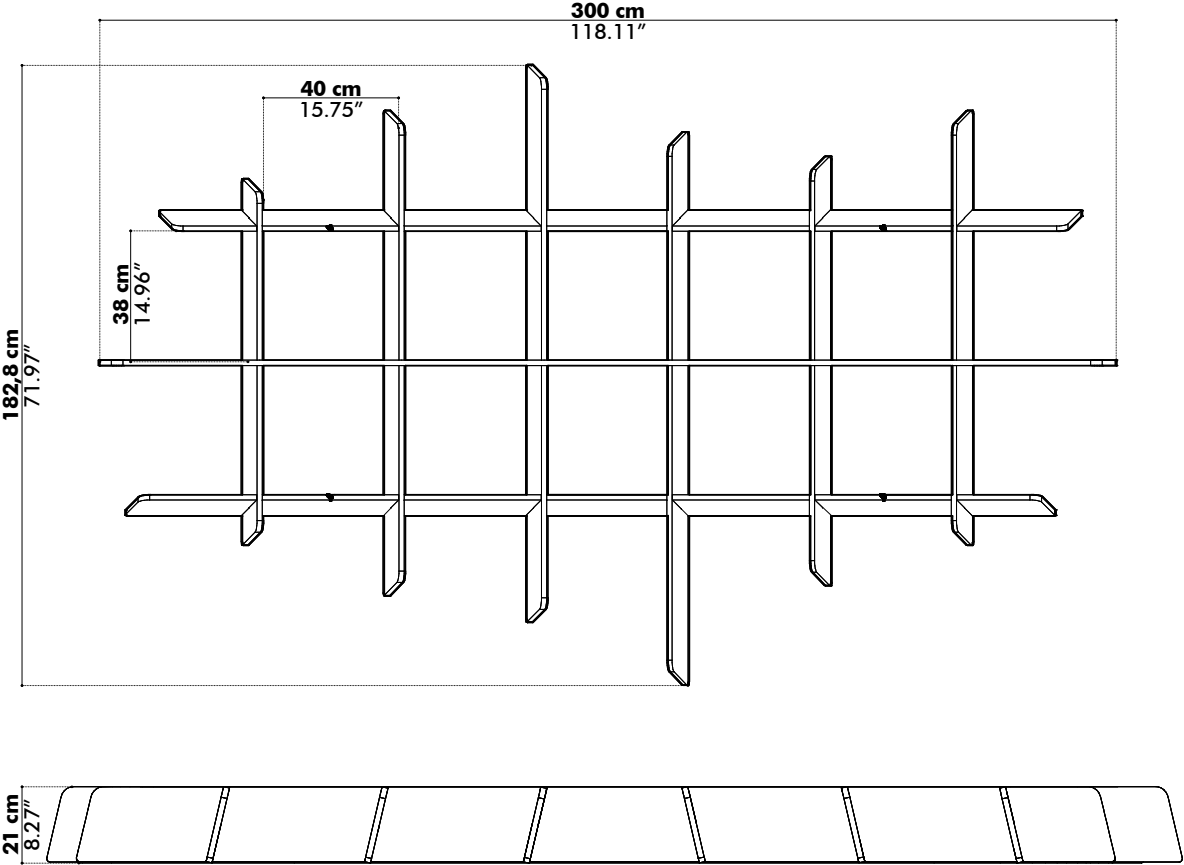


Fixing System

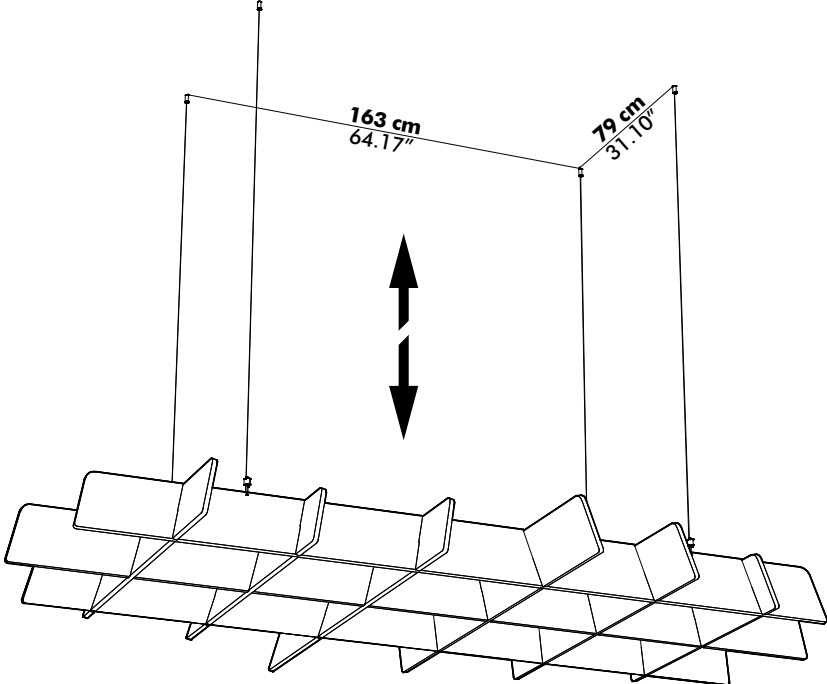


- Screws for ceiling included,
4 stair bolts M6
- 4 cables 200 cm Ø 1,5 mm
78.74" Ø 0.06"
or optional 500 cm Ø 1,5 mm
196.85" Ø 0.06"

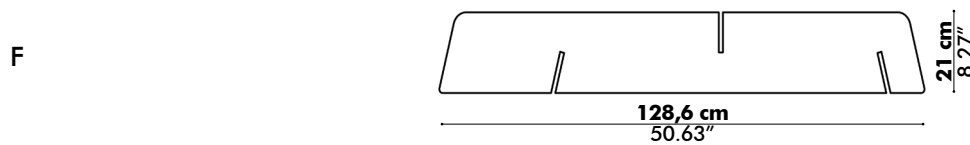
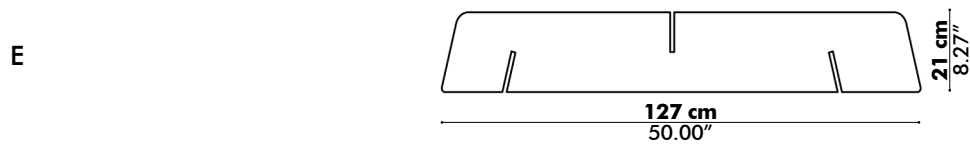
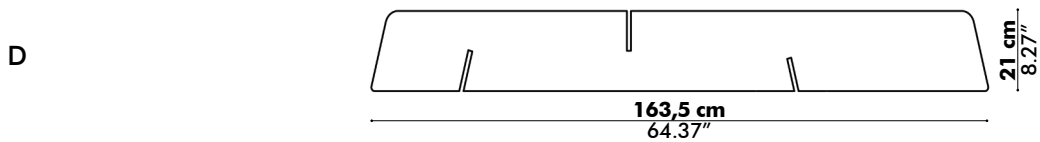
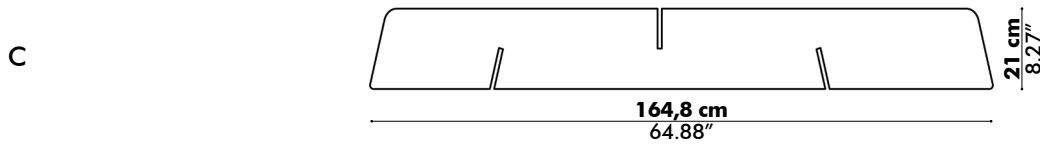
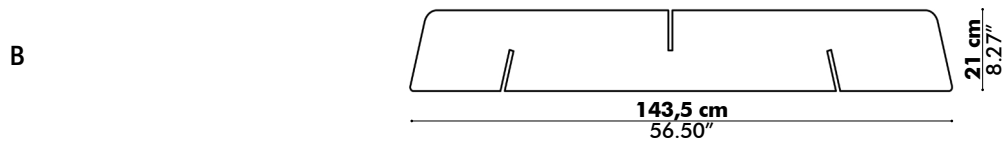
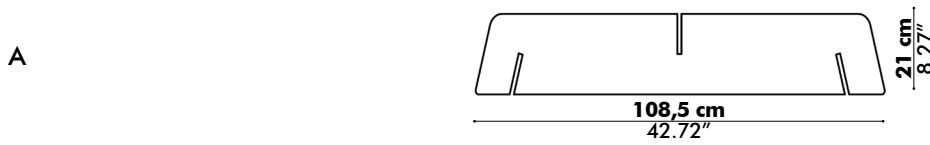
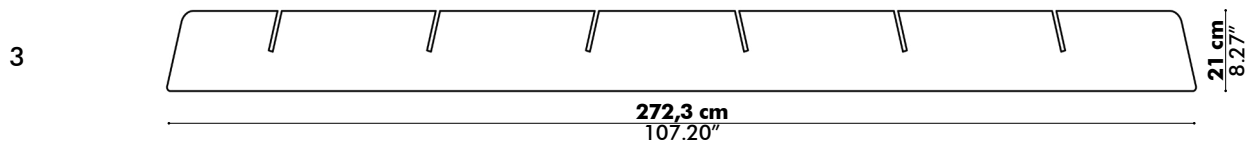
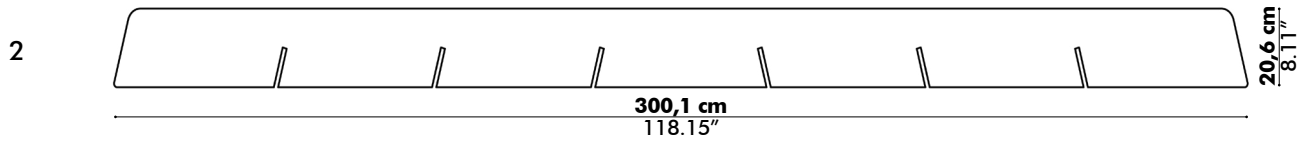
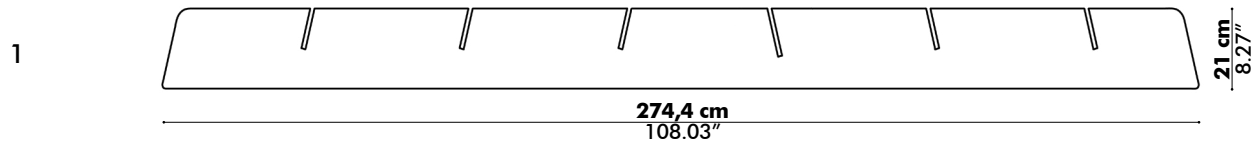
Dimensions



Dimensions fixing points



Dimensions blades



Acoustics

BuzziGrid

Equivalent sound absorption area in m² per object

