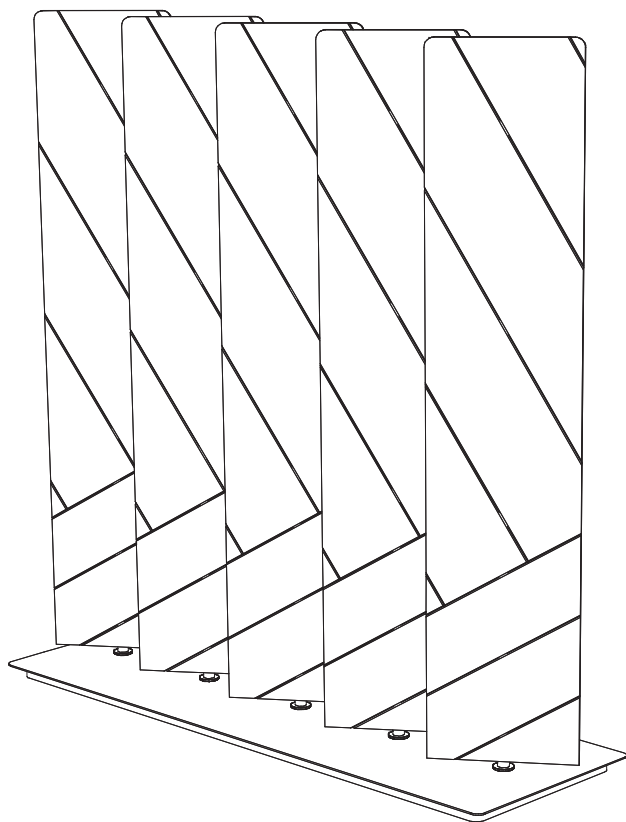
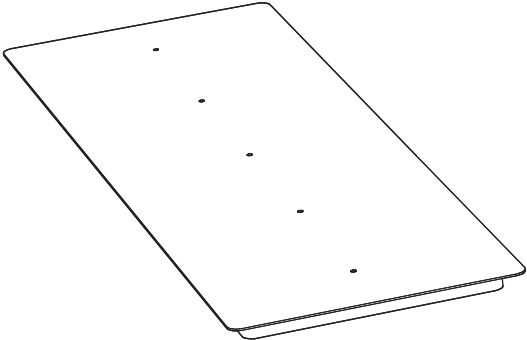
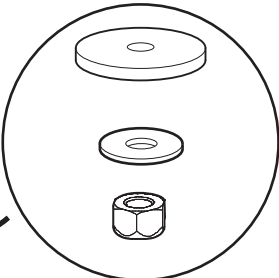
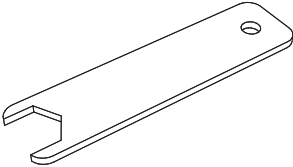
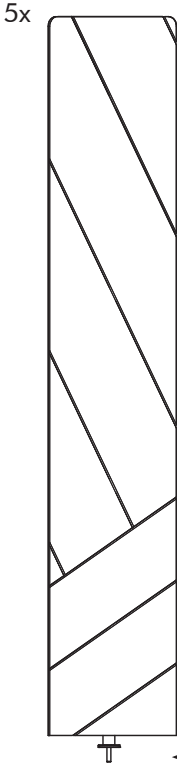
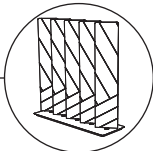


# BuzziBlinds

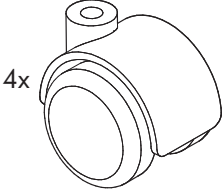
INSTALLATION MANUAL

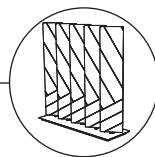


# Included BuzziBlind



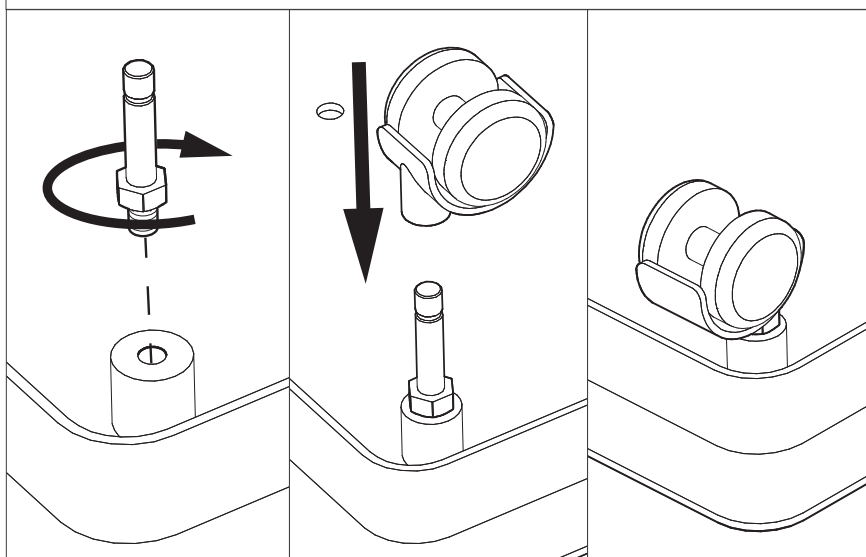
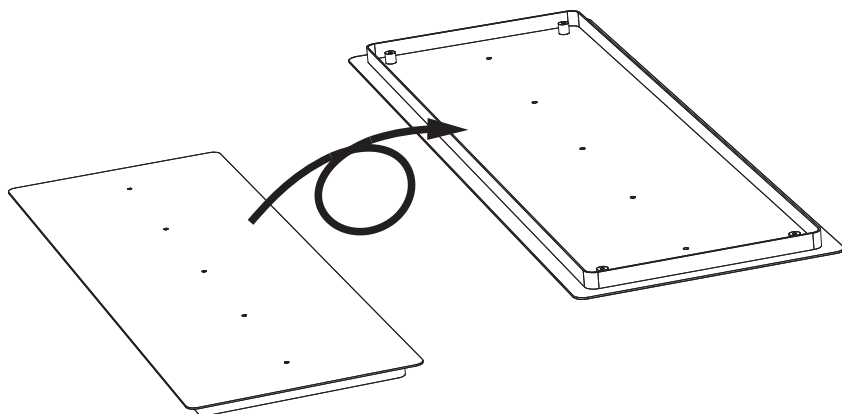
## Optional Wheels



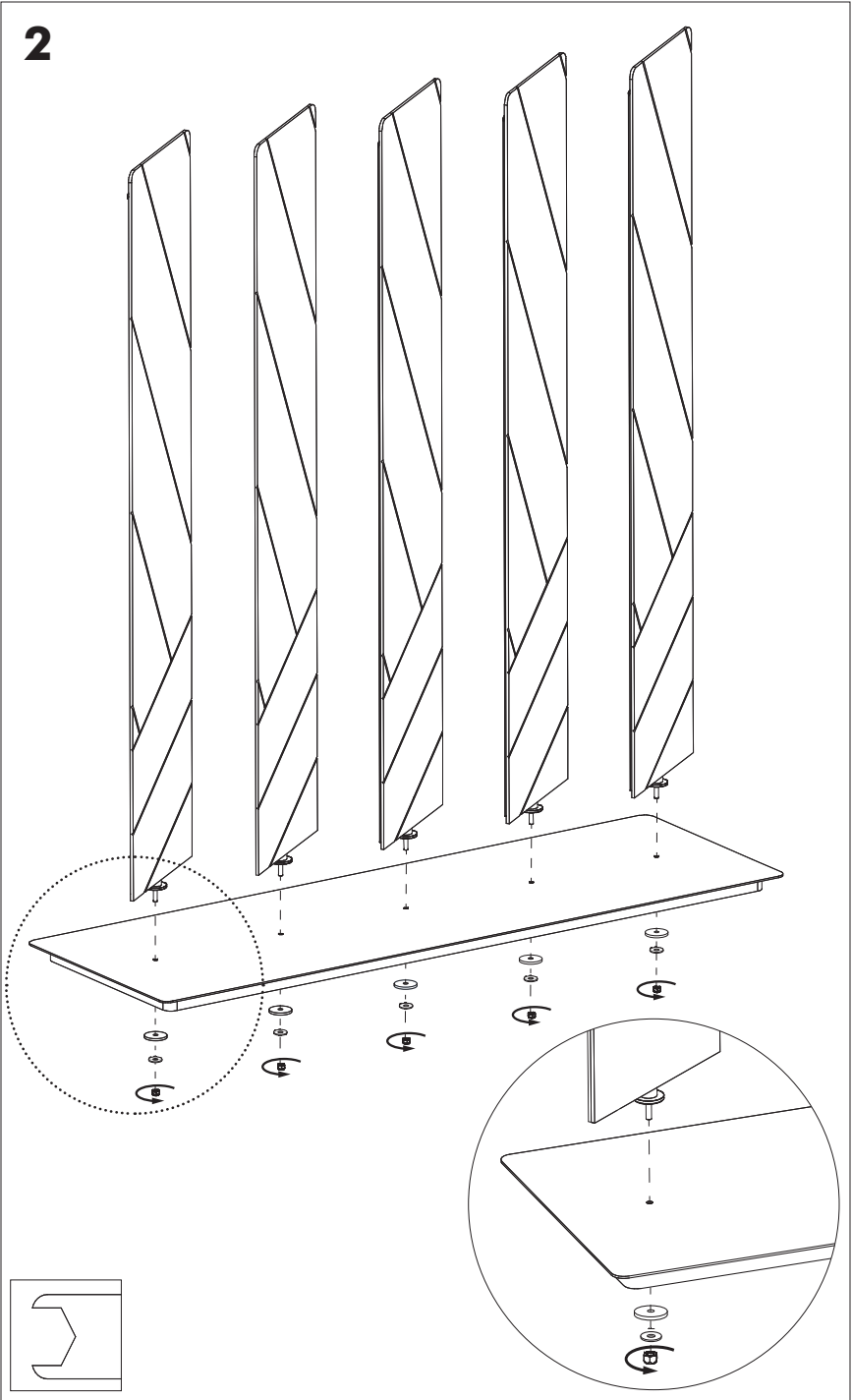


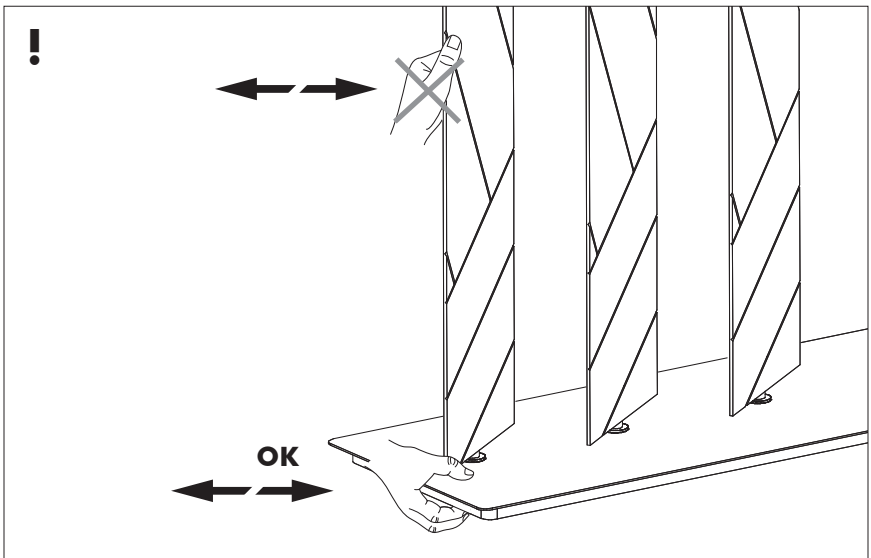
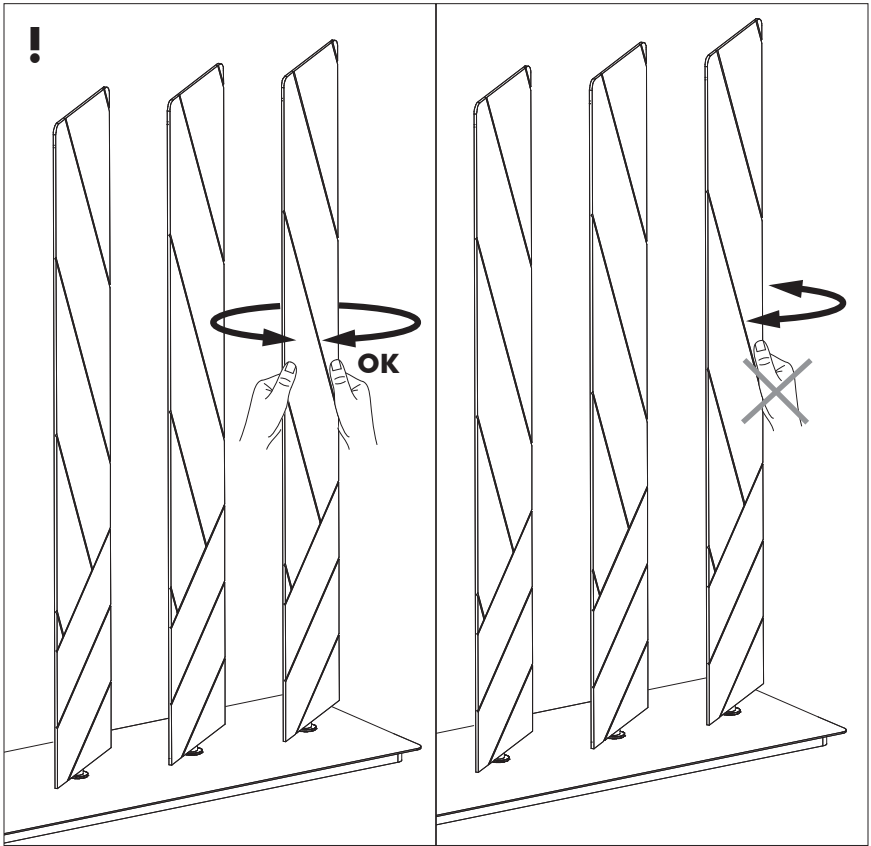
1 PERS. 

## 1 Optional Wheels



2









BuzziSpace Group NV  
Italiëlei 8, 2000 Antwerp  
Belgium

☎ +32 (0)3 846 10 00

✉ [info@buzzi.space](mailto:info@buzzi.space)

🌐 [www.buzzi.space](http://www.buzzi.space)



Doc nr.: A-0000001551/02

Last update: 29/11/2023