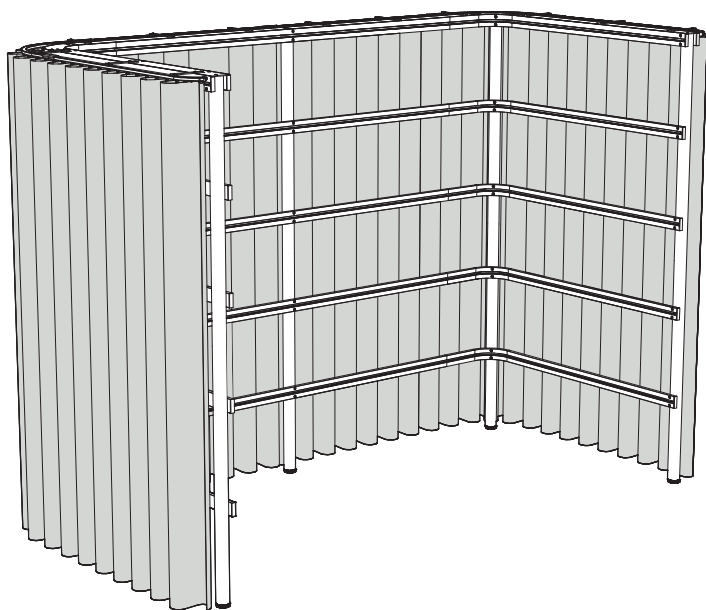


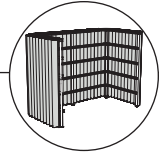
BuzziBracks Curtains

INSTALLATION MANUAL

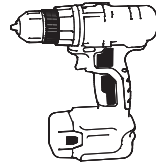
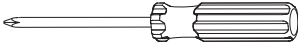


BuzziBracks

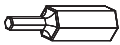
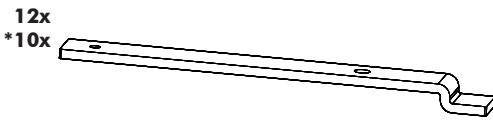
2 PERS. 



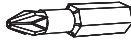
Not included



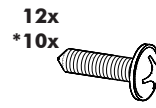
Included with Bracks Frame



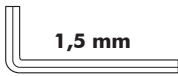
SW2.5



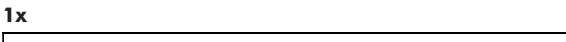
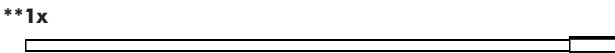
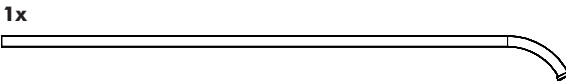
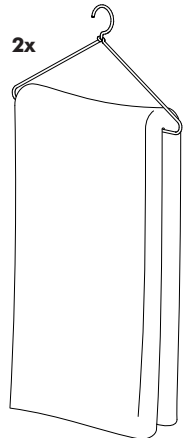
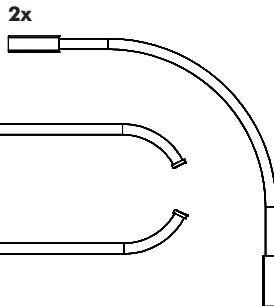
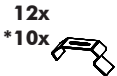
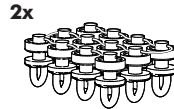
PH2



Included



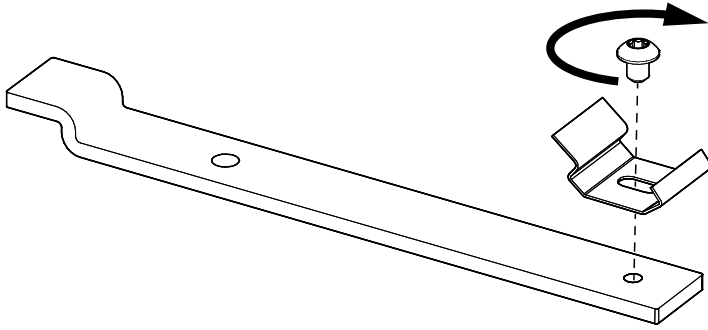
1,5 mm



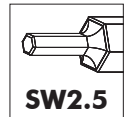
* For W 160 cm | W 62.99"

** Not for W 160 cm | W 62.99"

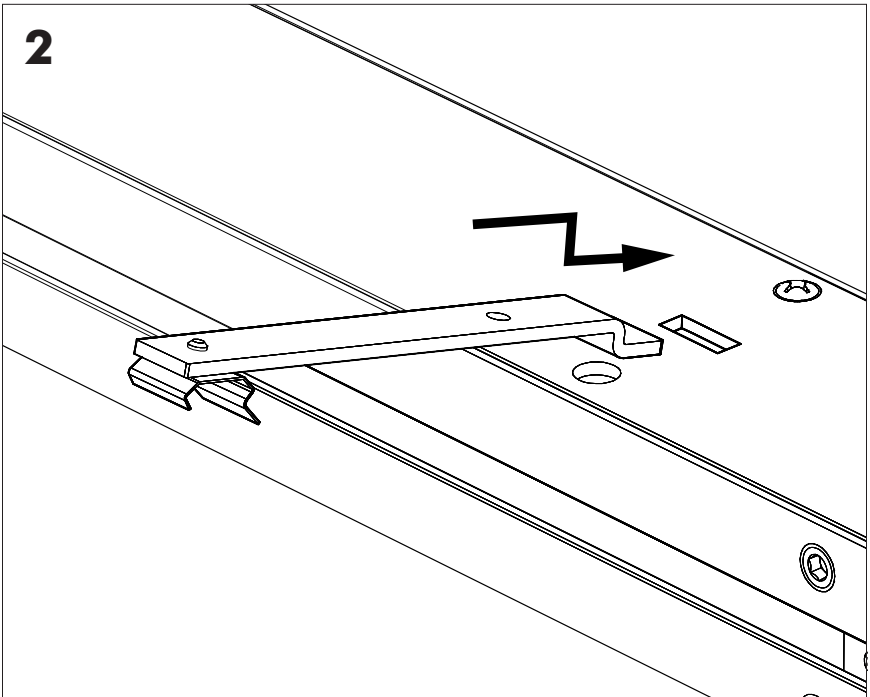
1



* For W 160 cm | W 62.99"

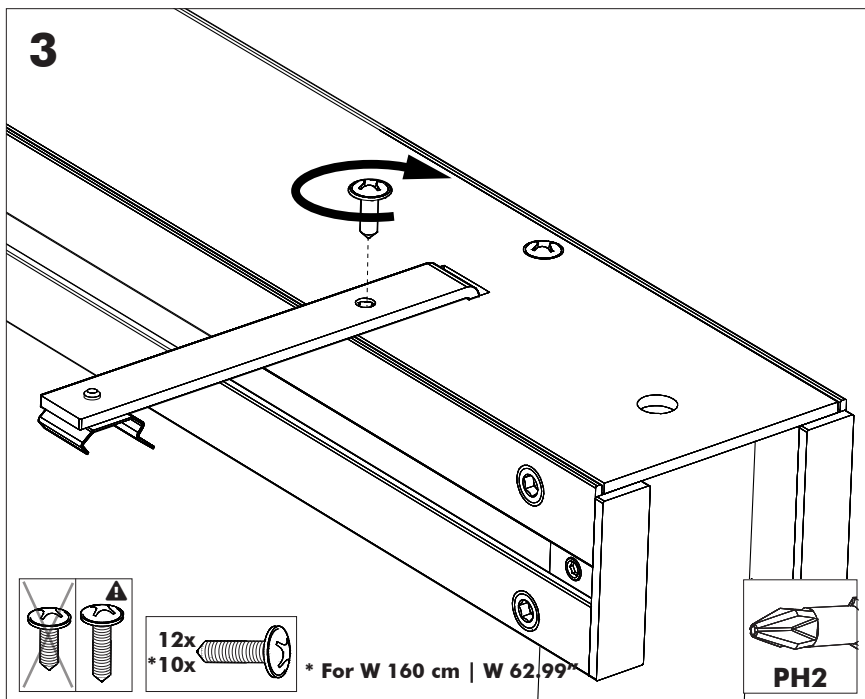


2

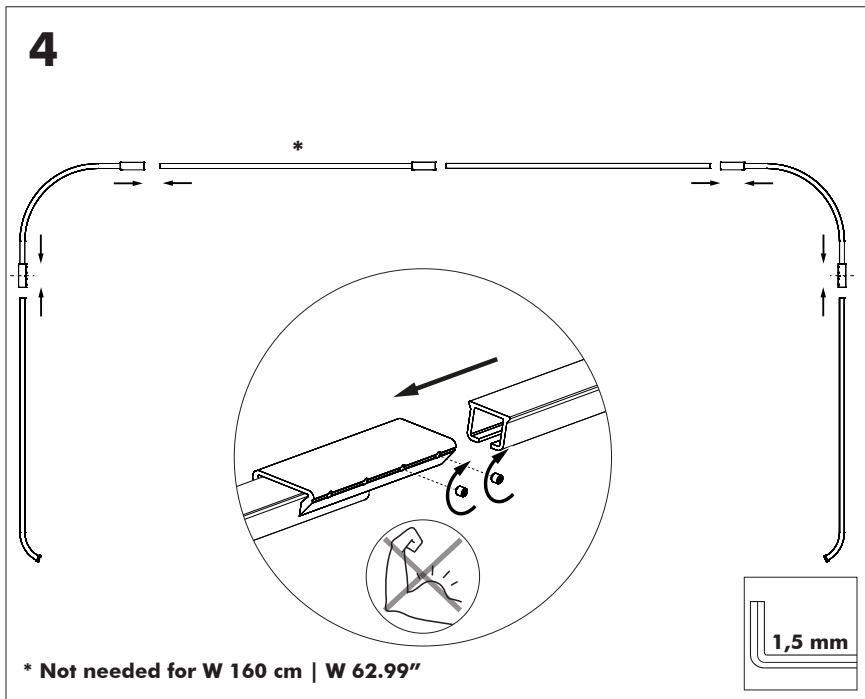


3

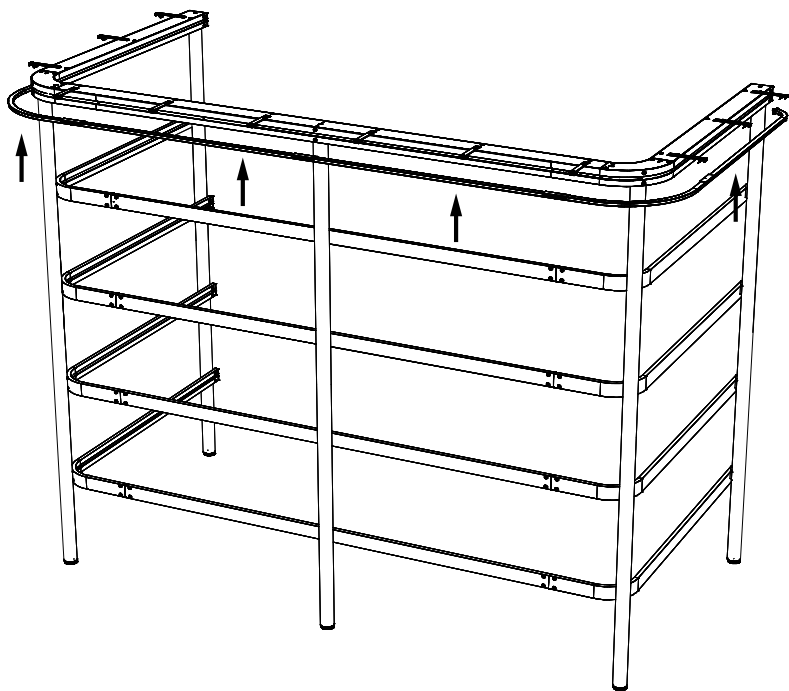
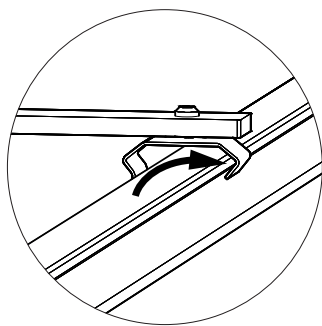
3



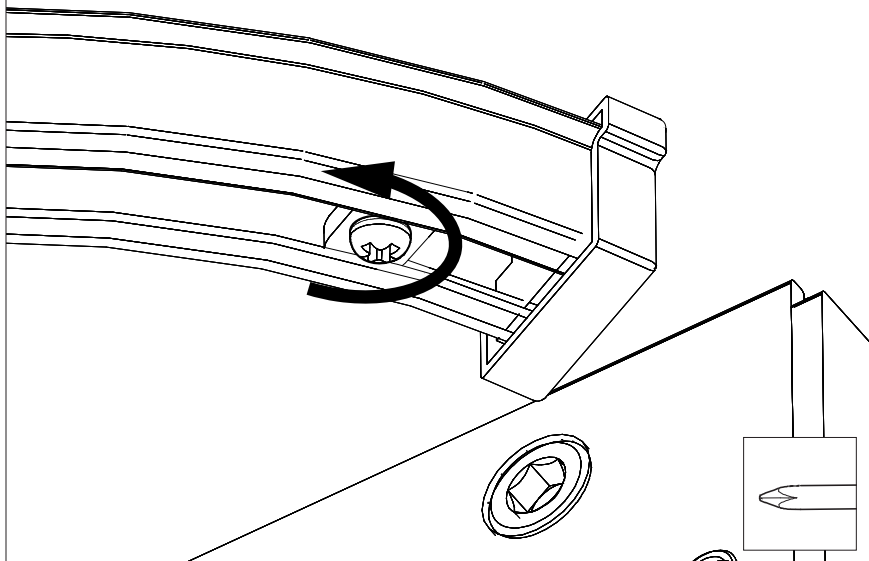
4



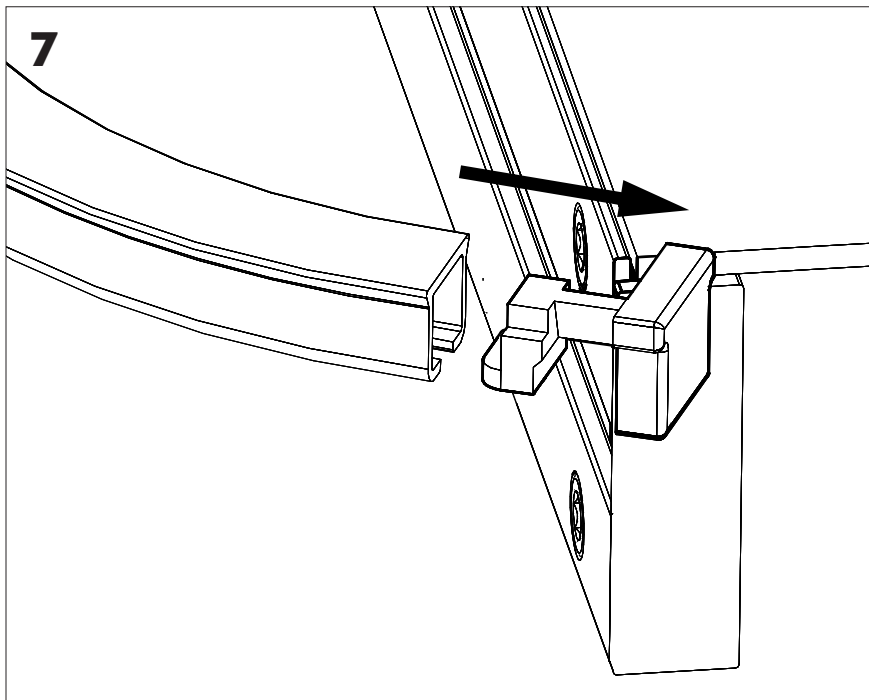
5



6

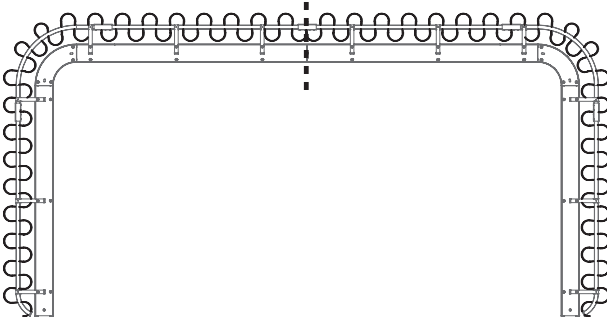


7

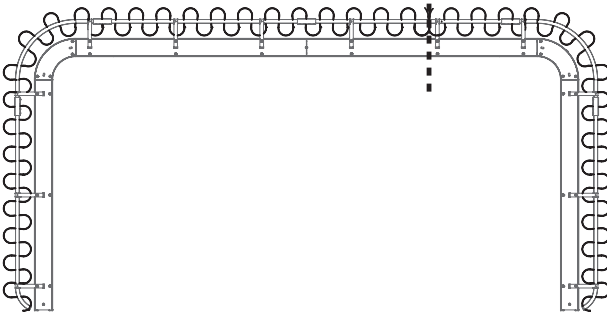


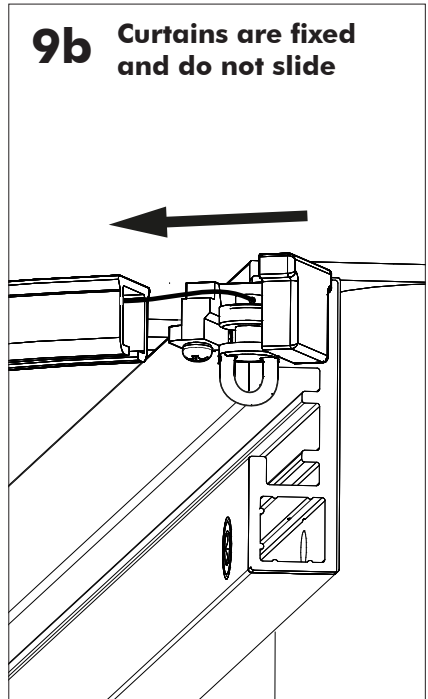
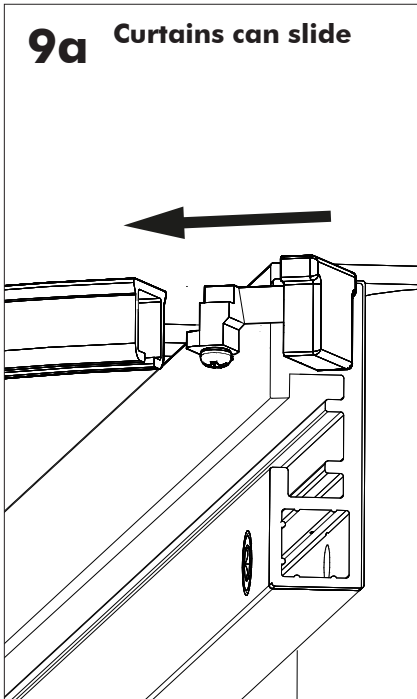
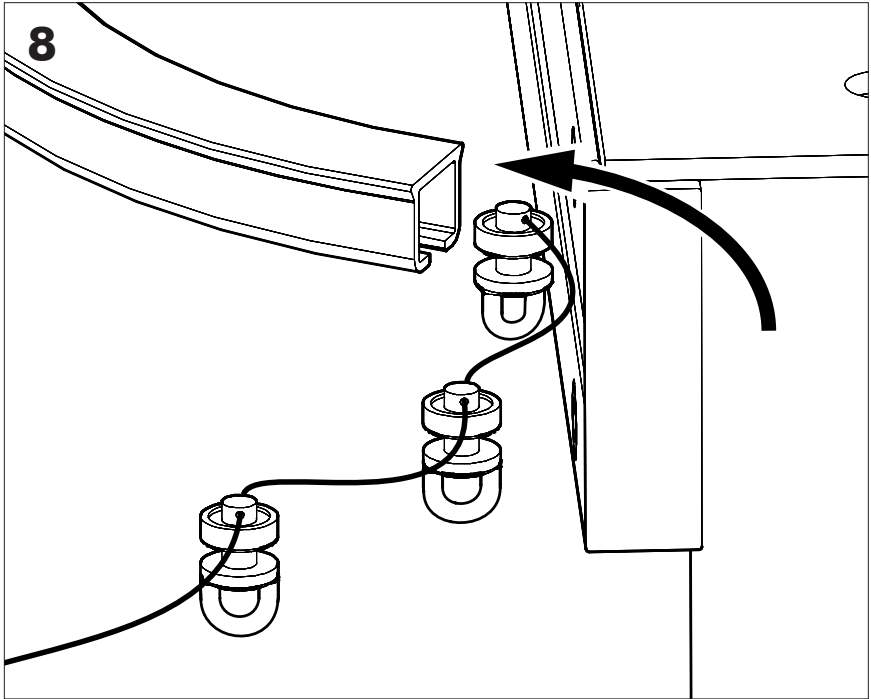


Curtain 2 pcs, symmetric

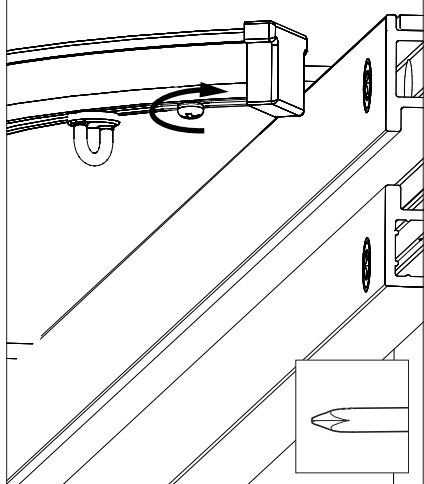


Curtain 2 pcs, asymmetric

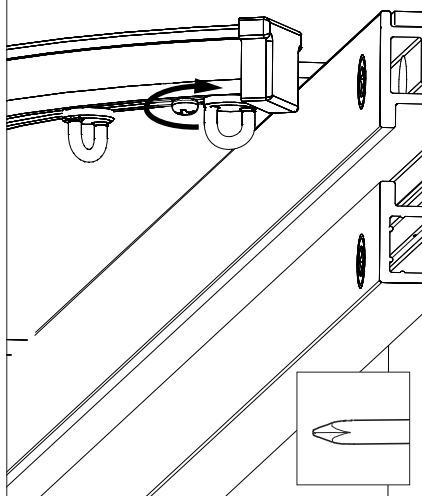




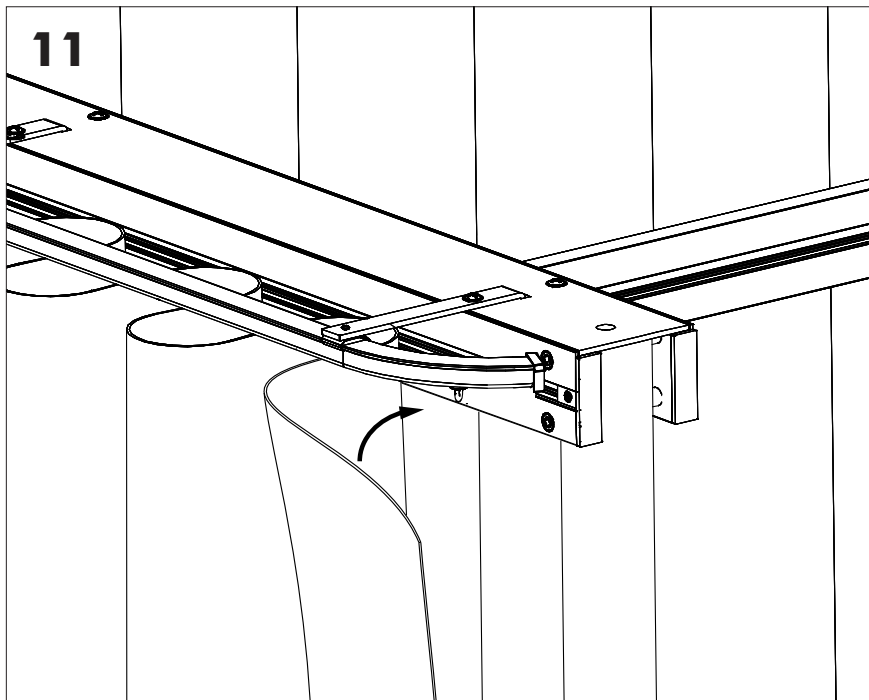
10a



10b



11



BuzziSpace Group NV
Italiëlei 8, 2000 Antwerp
Belgium

☎ +32 (0)3 846 10 00

✉ info@buzzi.space

🌐 www.buzzi.space



Doc nr.: A-0000006432/01

Last update: 29/11/2023