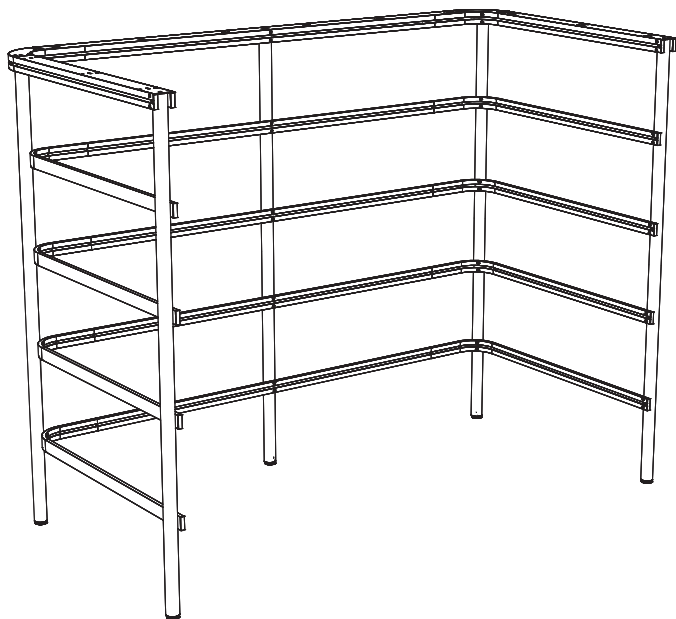


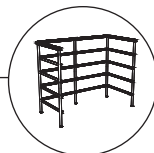
# BuzziBracks Frame

INSTALLATION MANUAL

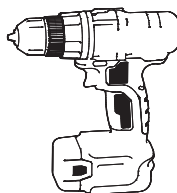
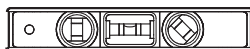
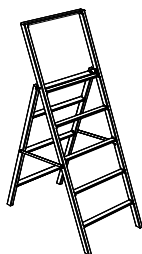


# BuzziBracks

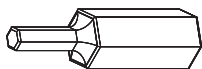
2 PERS. 



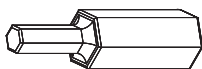
## Not included



## Included Tools



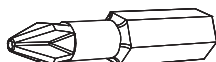
**SW2,5**



**SW3**

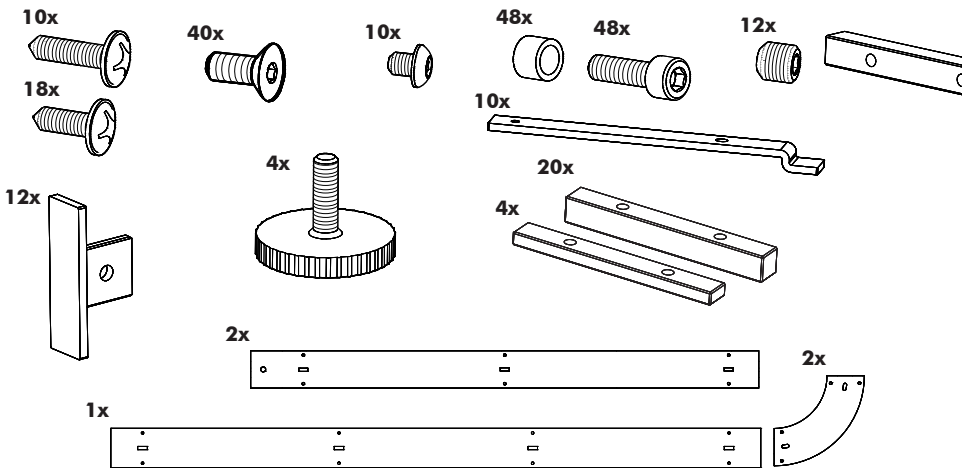
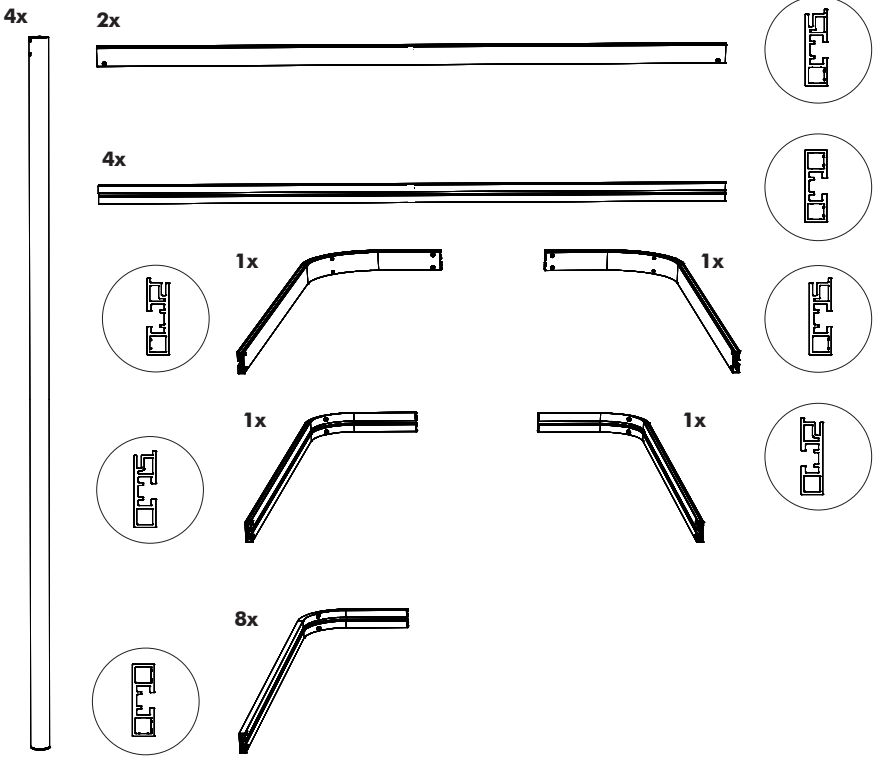


**SW5**

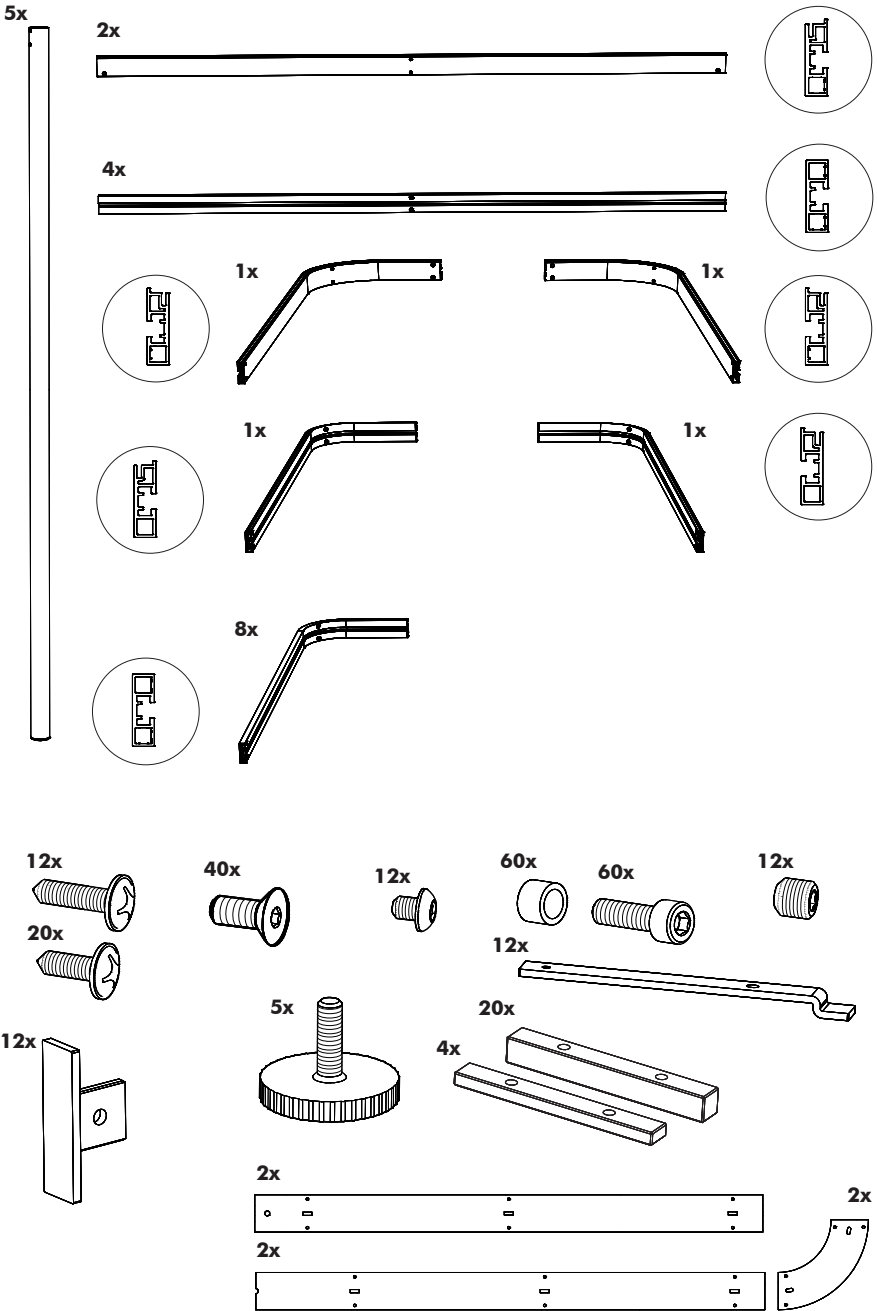


**PH2**

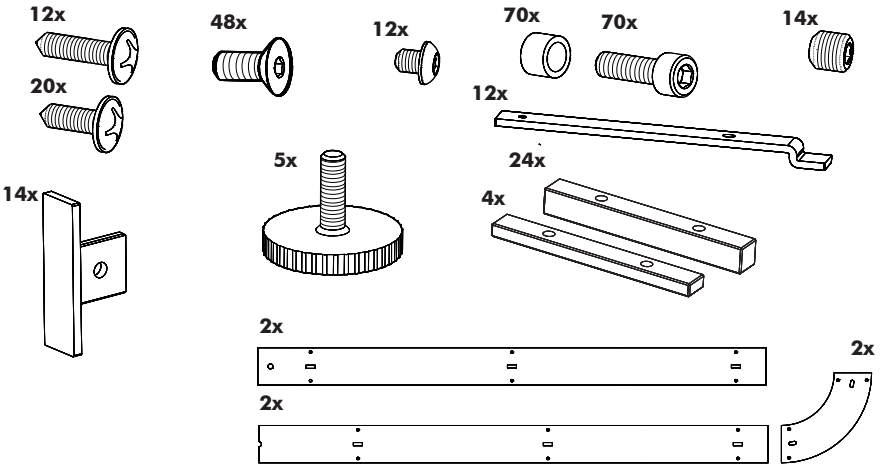
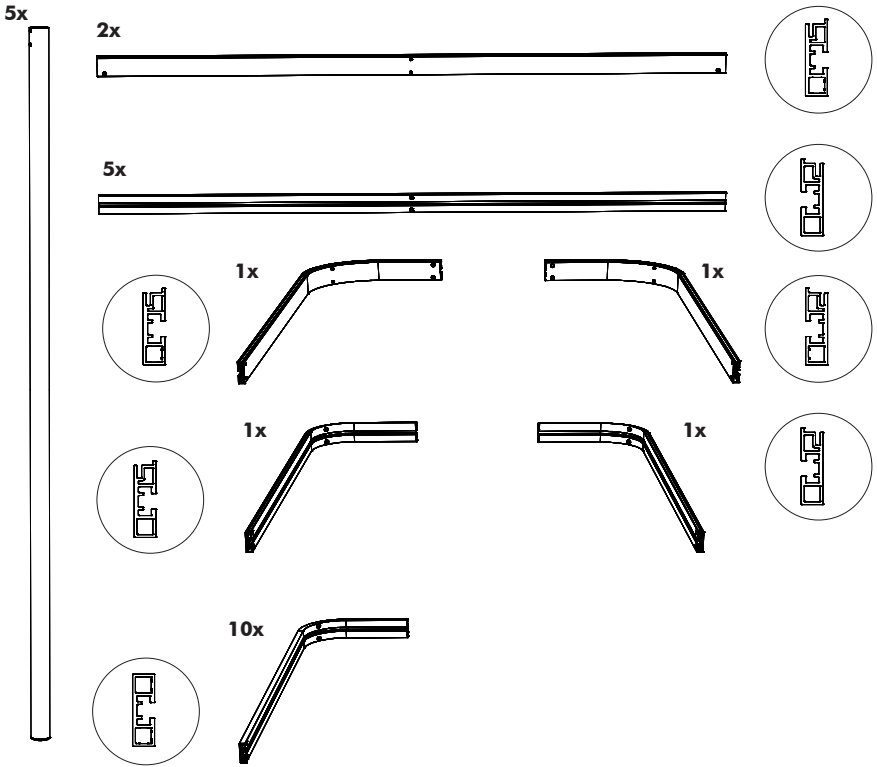
**Included** W 160 cm H 188,5 cm | W 62.99" H 74.21"



**Included** W 240 or 320 cm H 188,5 | W 94.49" or 126" H 74.21"

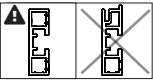
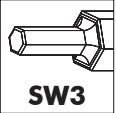
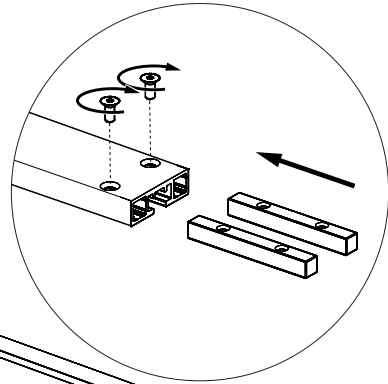


**Included** 320 cm H 226 | W 94.49" or 126" H 89.97"

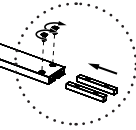


**1**

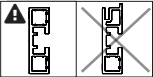
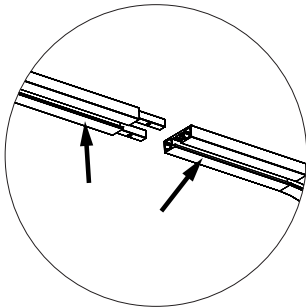
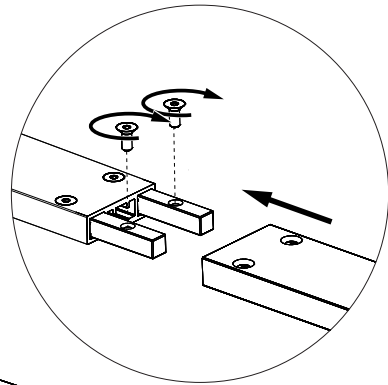
H: 188,5 cm | 74.21" 4x  
 226 cm | 88.98" 5x



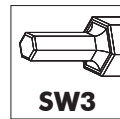
H: 188,5 cm | 74.21" 16x  
 226 cm | 88.98" 20x

**2**

H: 188,5 cm | 74.21" 4x  
 226 cm | 88.98" 5x

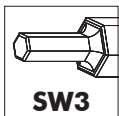
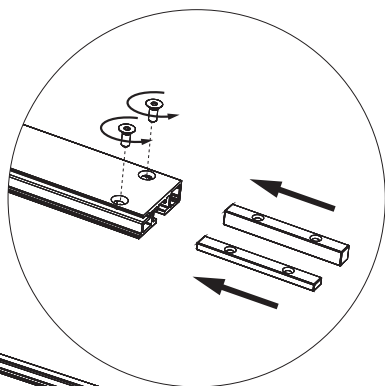
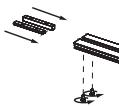


H: 188,5 cm | 74.21" 16x  
 226 cm | 88.98" 20x

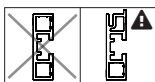


3

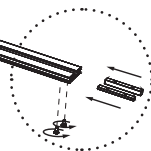
2x



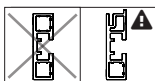
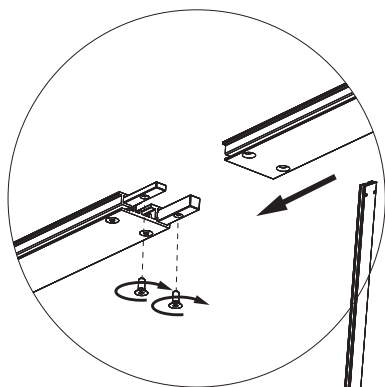
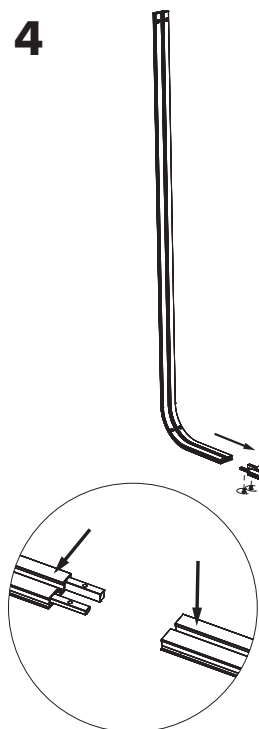
SW3



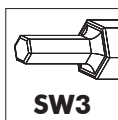
H: 188,5 cm | 74.21" 8x  
226 cm | 88.98" 10x



4

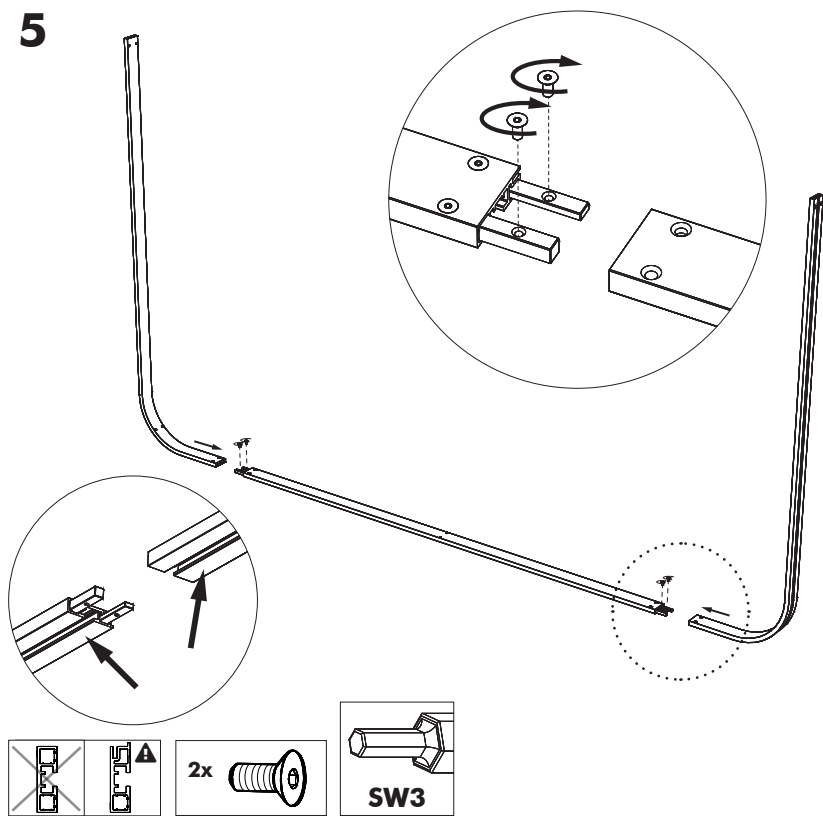


H: 188,5 cm | 74.21" 8x  
226 cm | 88.98" 10x

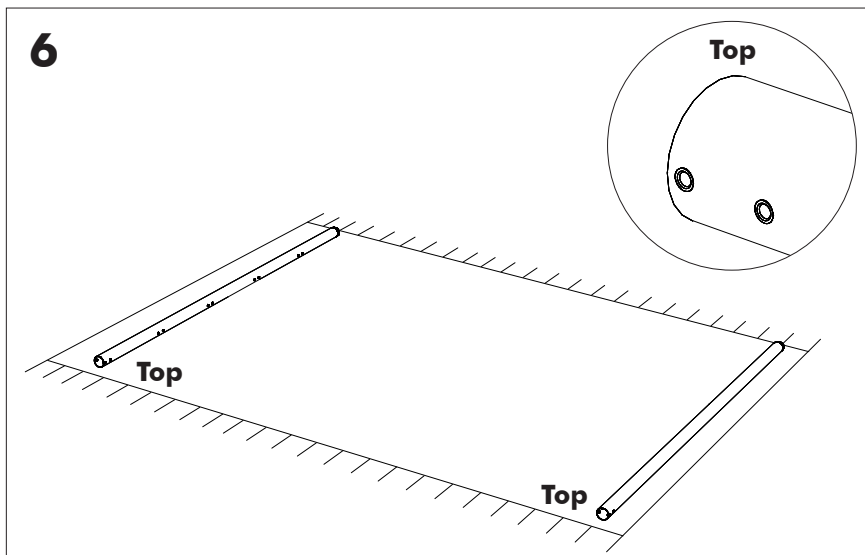


SW3

5

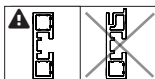
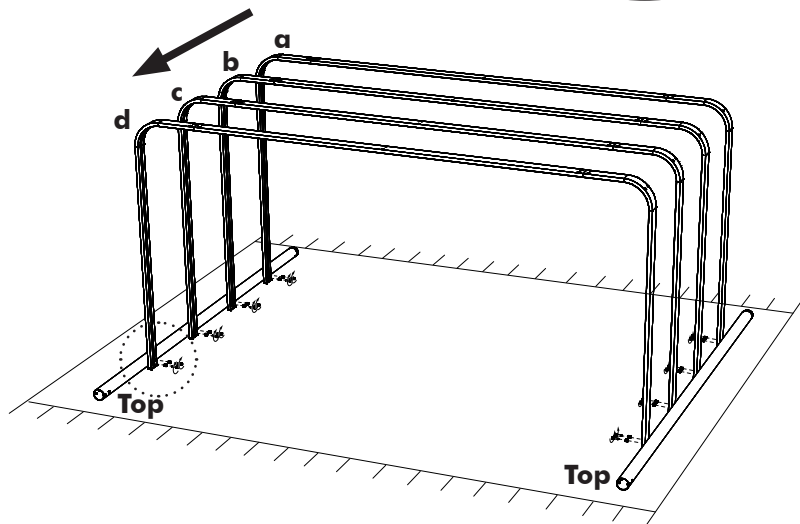
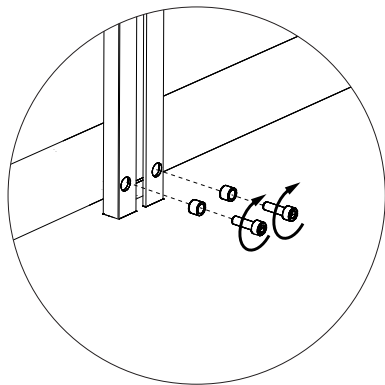


6

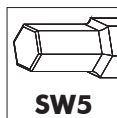
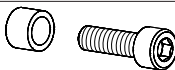




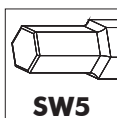
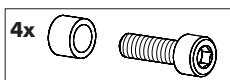
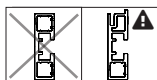
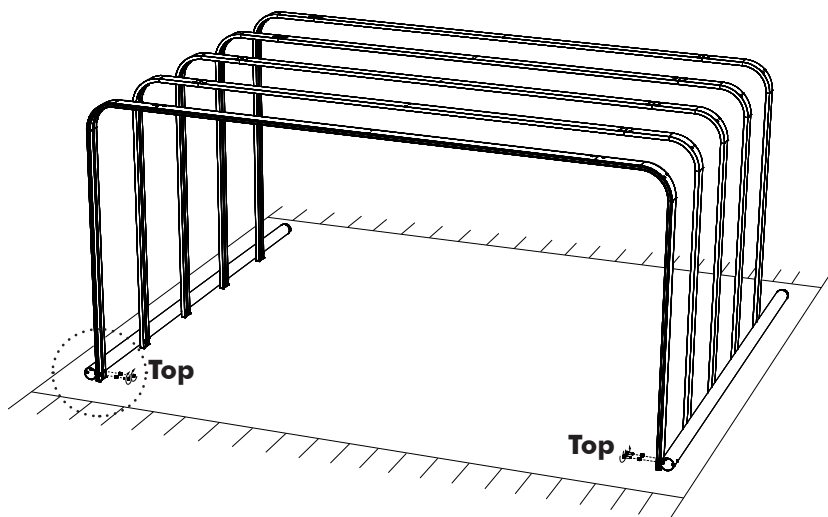
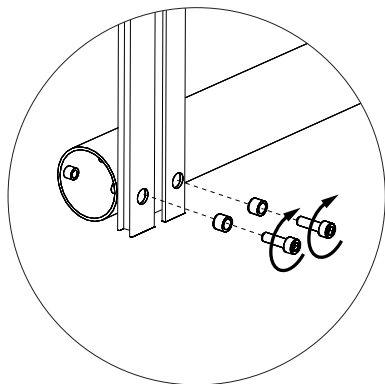
7



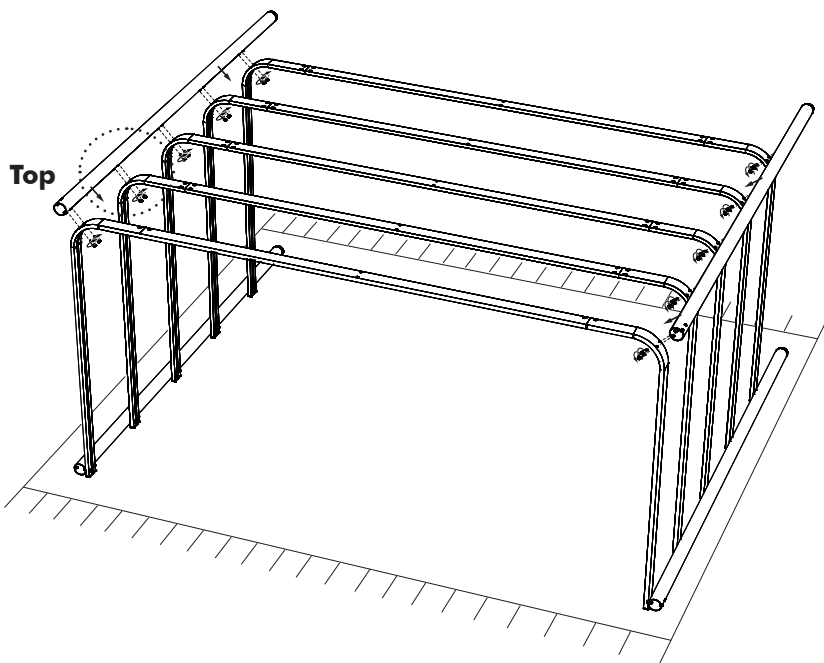
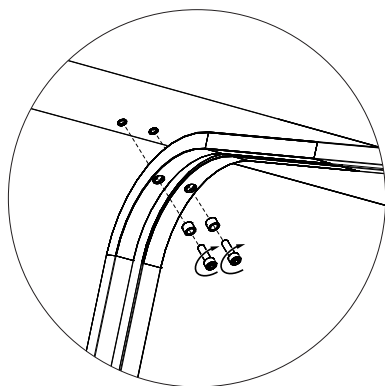
H: 188,5 cm | 74.21" 16x  
226 cm | 88.98" 20x



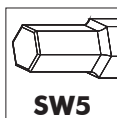
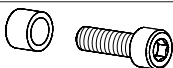
8



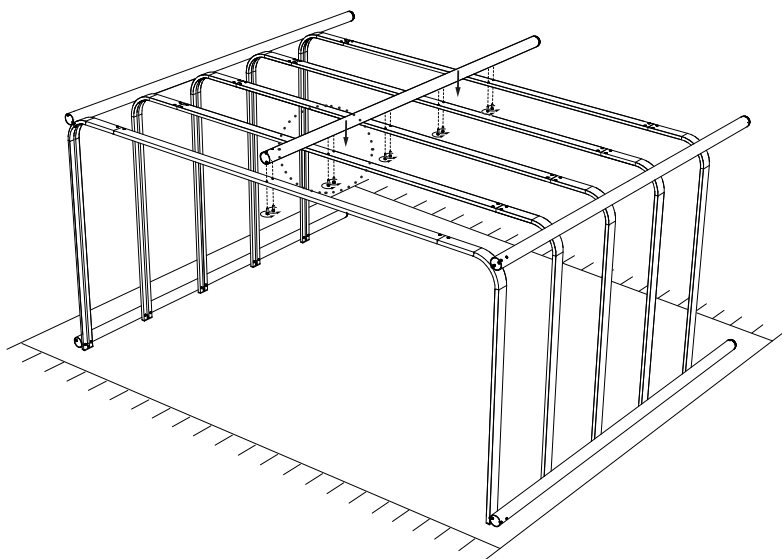
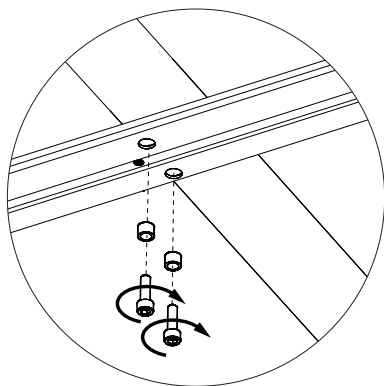
9



H: 188,5 cm | 74.21" 16x  
226 cm | 88.98" 20x

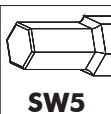
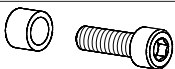


10\*

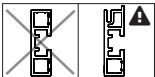
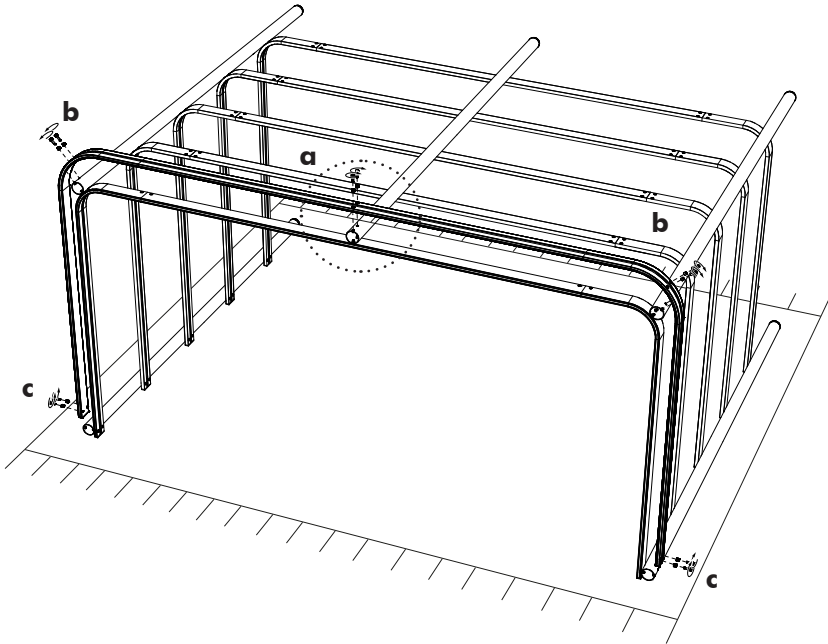
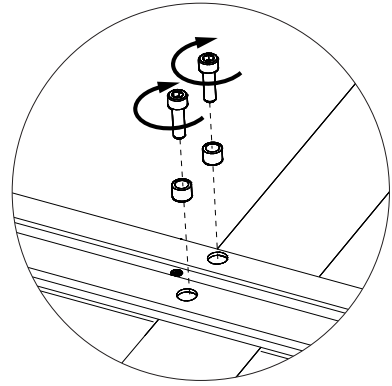


**\*Not needed for W 187 cm | 73.62**

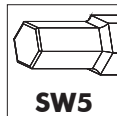
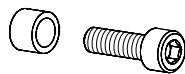
H: 188,5 cm | 74.21" 16x  
226 cm | 88.98" 20x



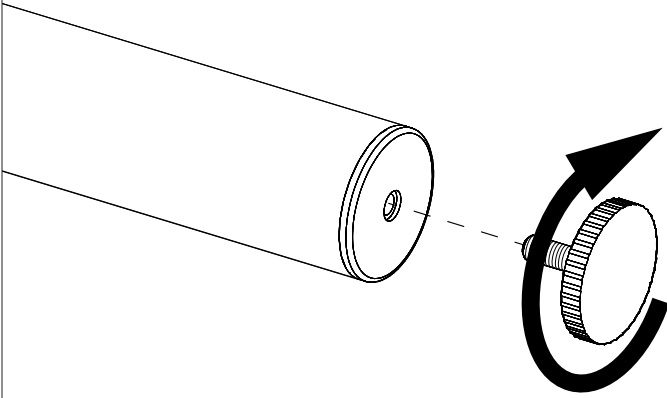
# 11



W: 187 cm | 73.62" **8x**  
267 cm | 105.12" **10x**  
347 cm | 136.61" **10x**



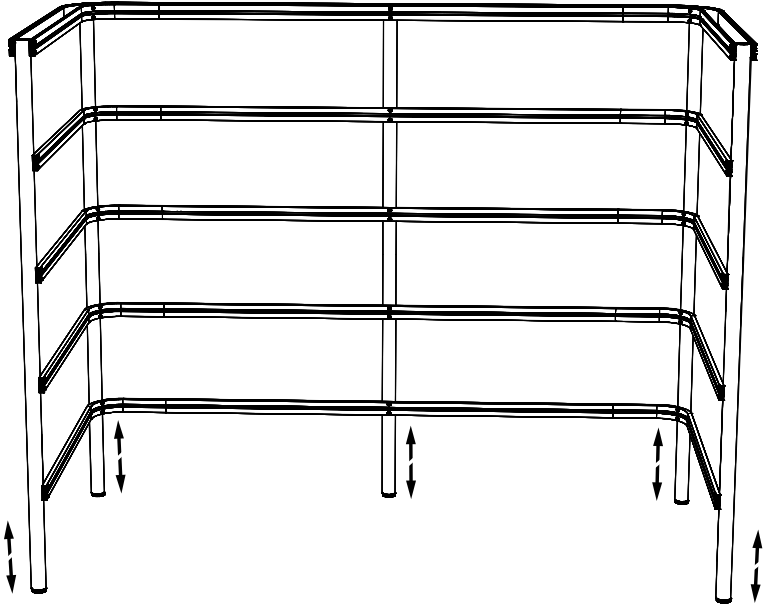
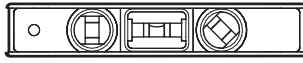
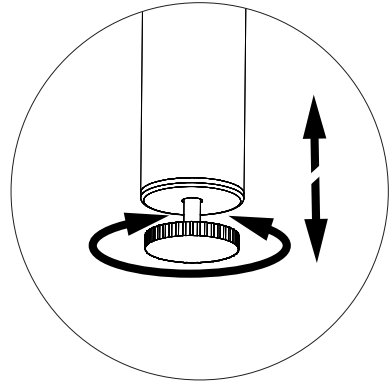
**12**



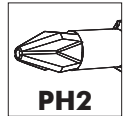
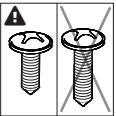
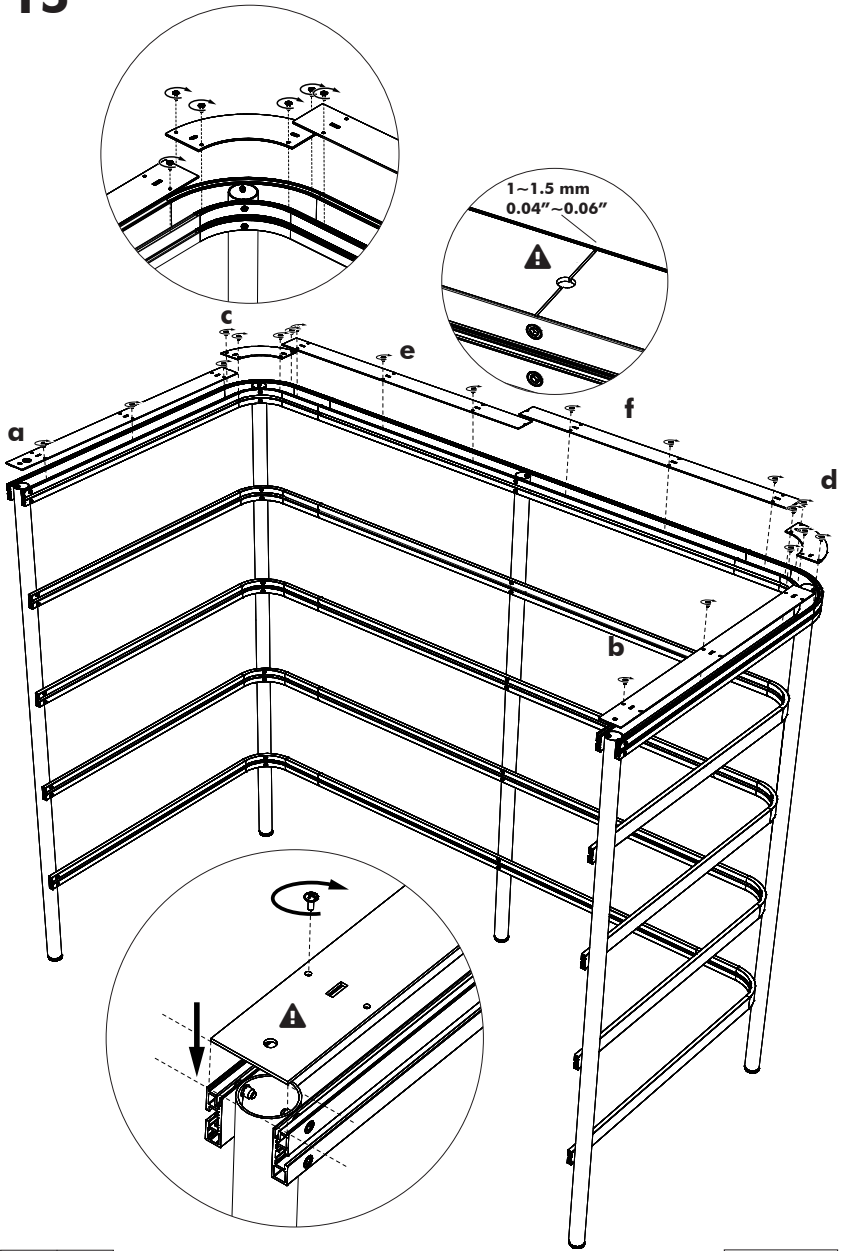
**13**



14



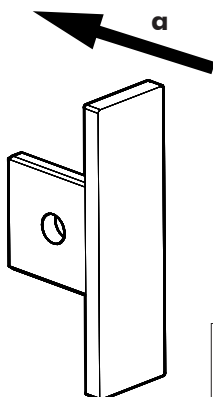
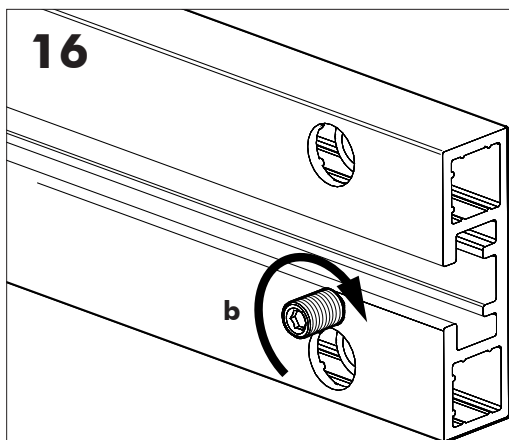
15



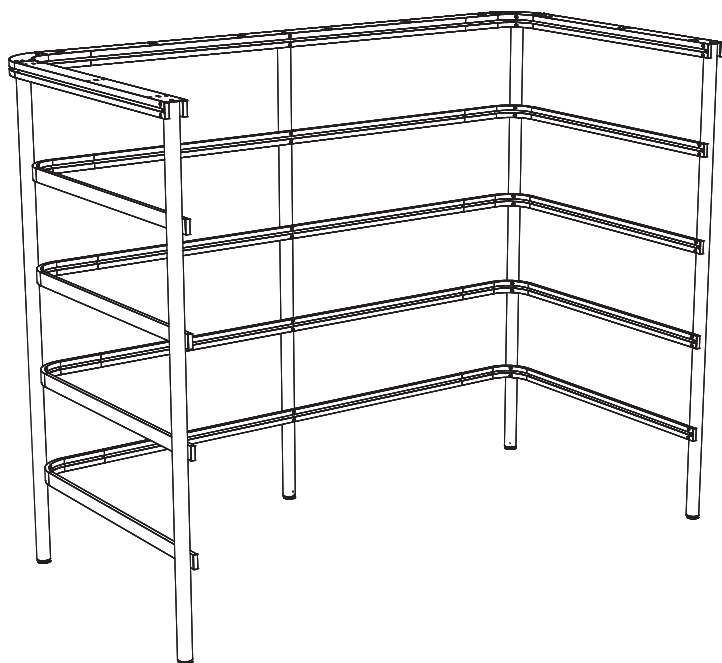
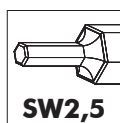
16



16



H: 188,5 cm | 74.21" 12x  
226 cm | 88.98" 14x







**BuzziSpace Group NV**  
Italiëlei 8, 2000 Antwerp  
Belgium

☎ +32 (0)3 846 10 00

✉ [info@buzzi.space](mailto:info@buzzi.space)

🌐 [www.buzzi.space](http://www.buzzi.space)



Doc nr.: A-0000006431/03

Last update: 29/11/2023