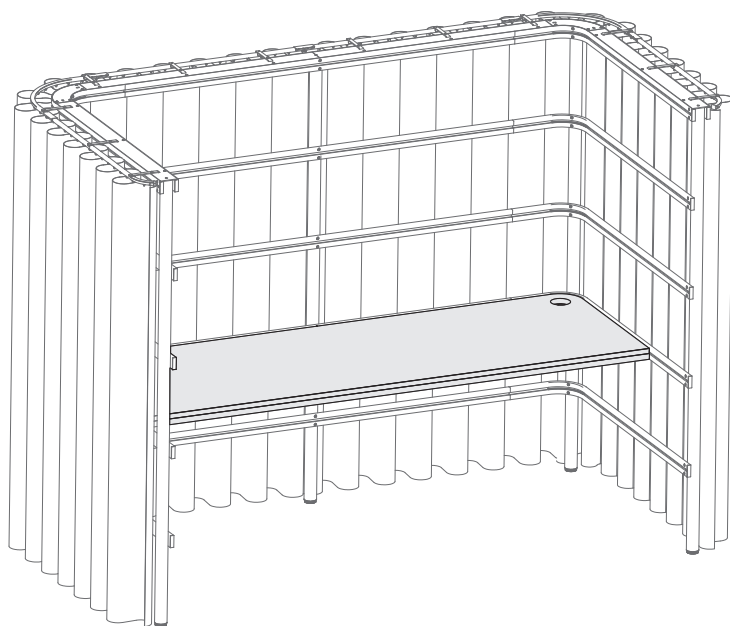


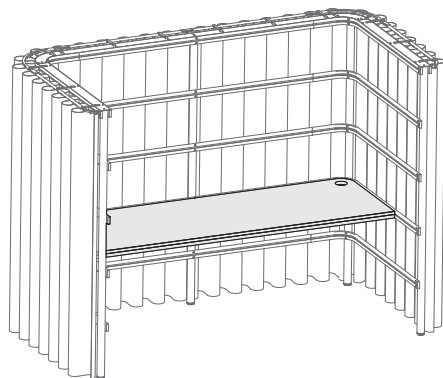
BuzziBracks Worktops

INSTALLATION MANUAL



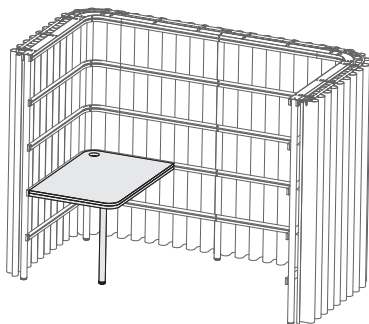
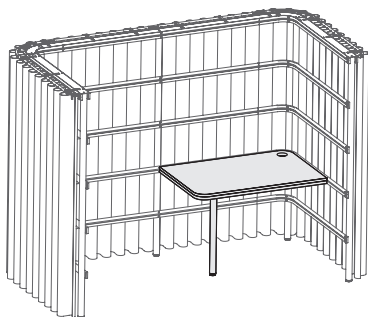
BuzziBracks Worktop Full

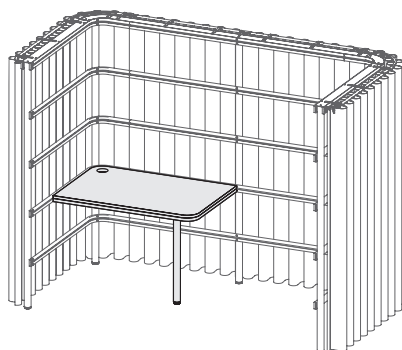
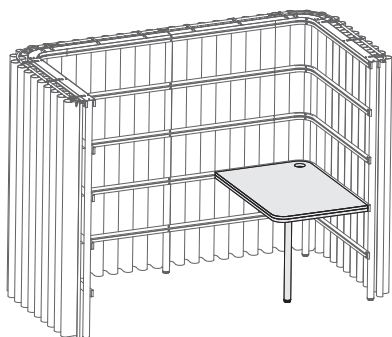
p.4



BuzziBracks Worktop A

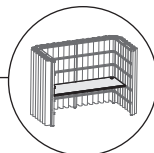
p.8



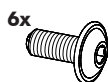
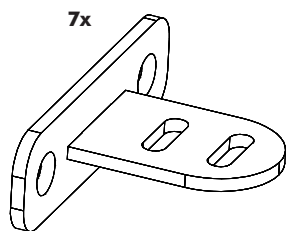
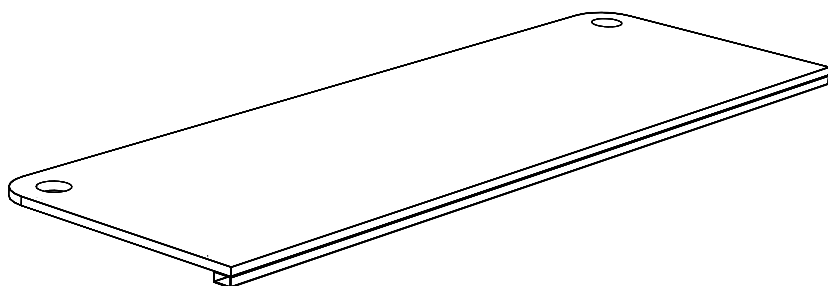


BuzziBracks Worktop Full

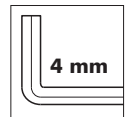
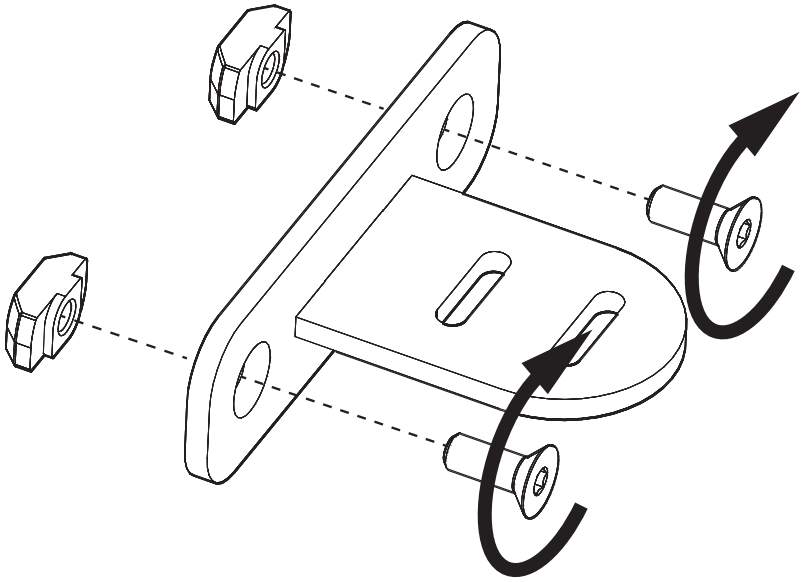
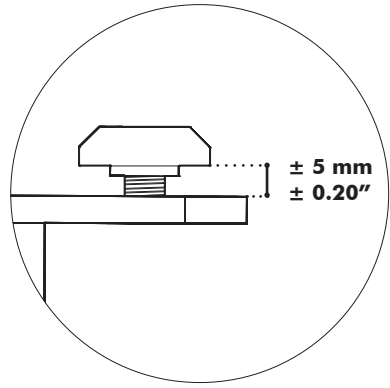
2 PERS. 

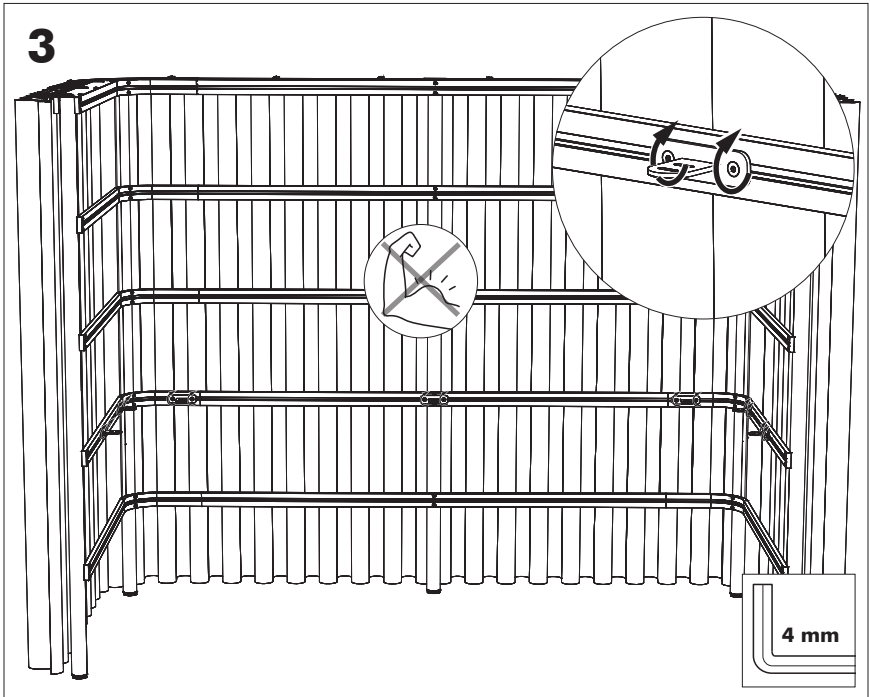
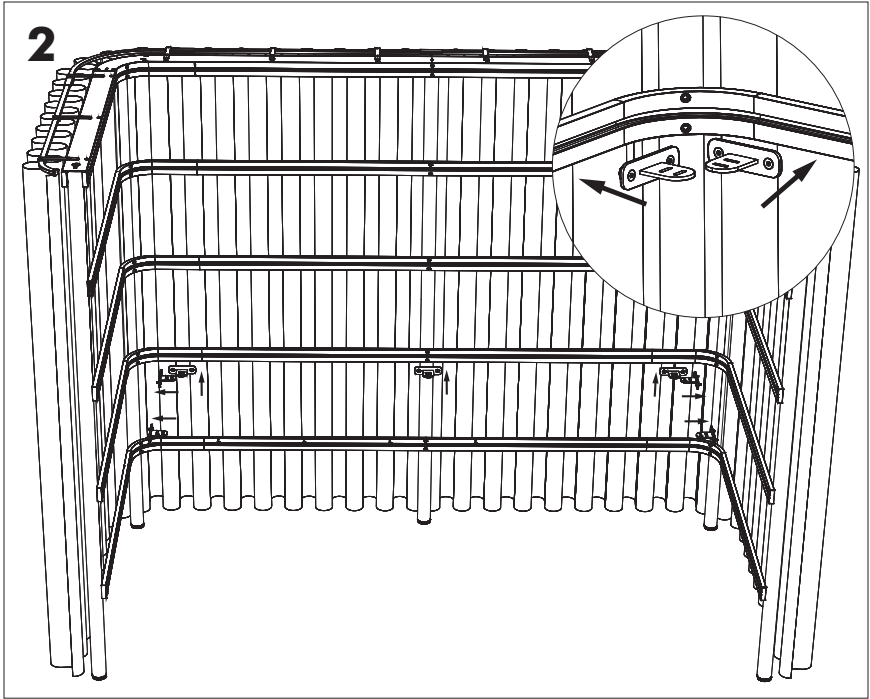


Included

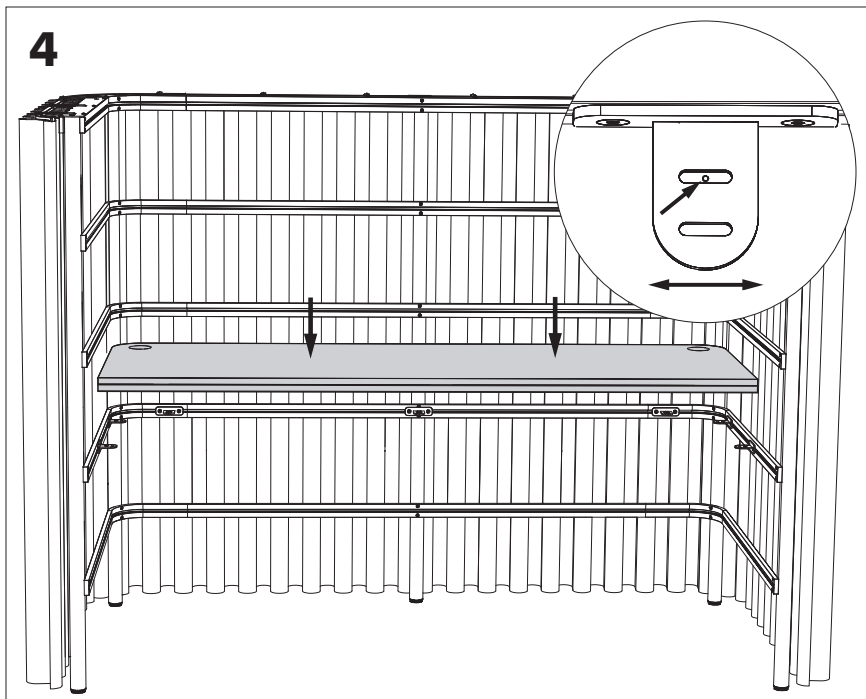


1

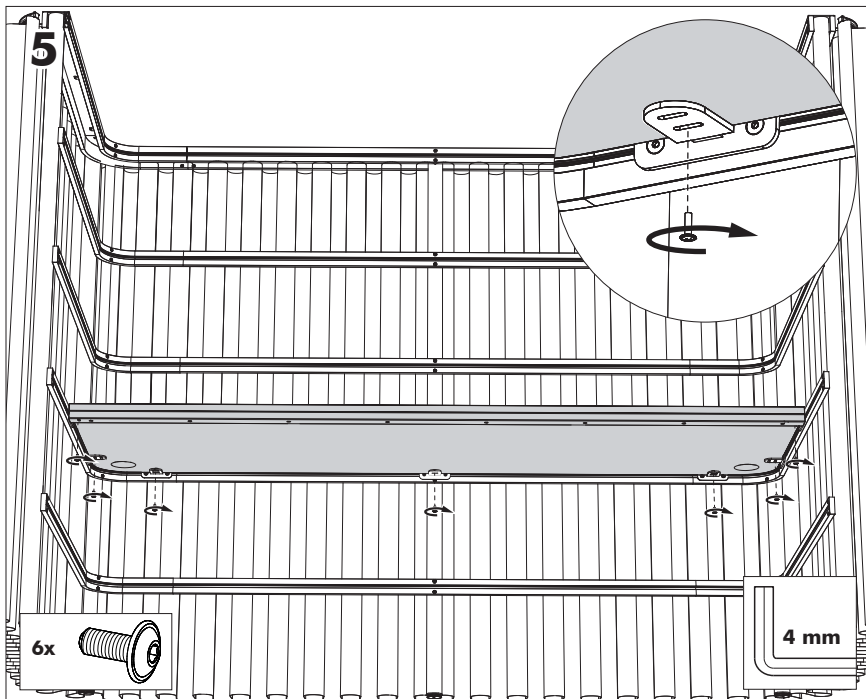




4



5



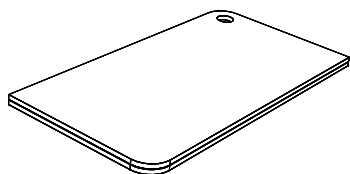
BuzziBracks Worktop A-B

2 PERS. 

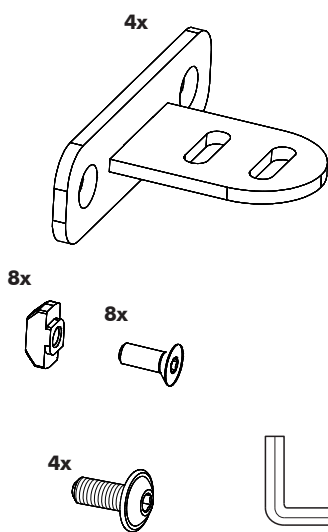
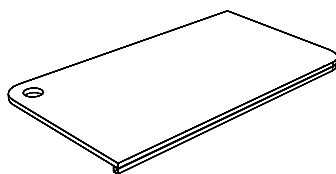


Included with Shelf A or B

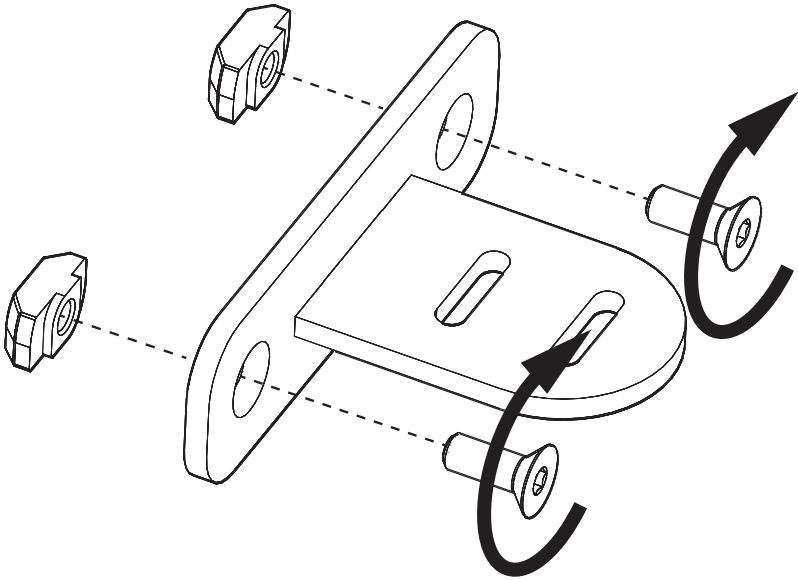
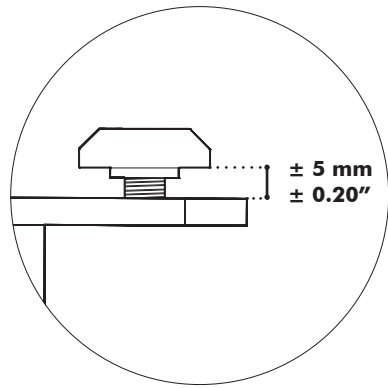
Worktop A



Worktop B



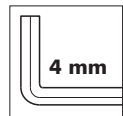
1

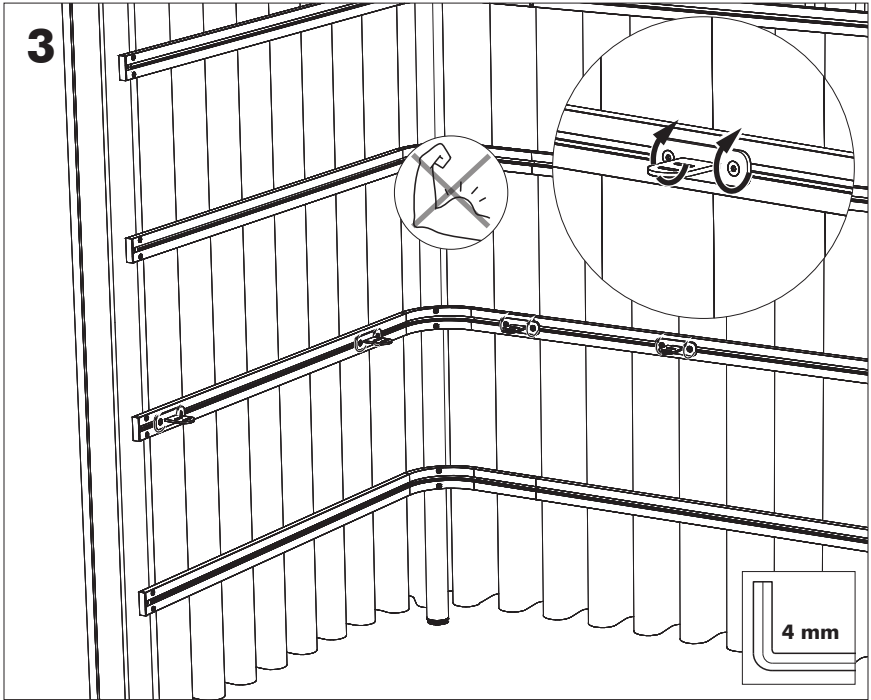
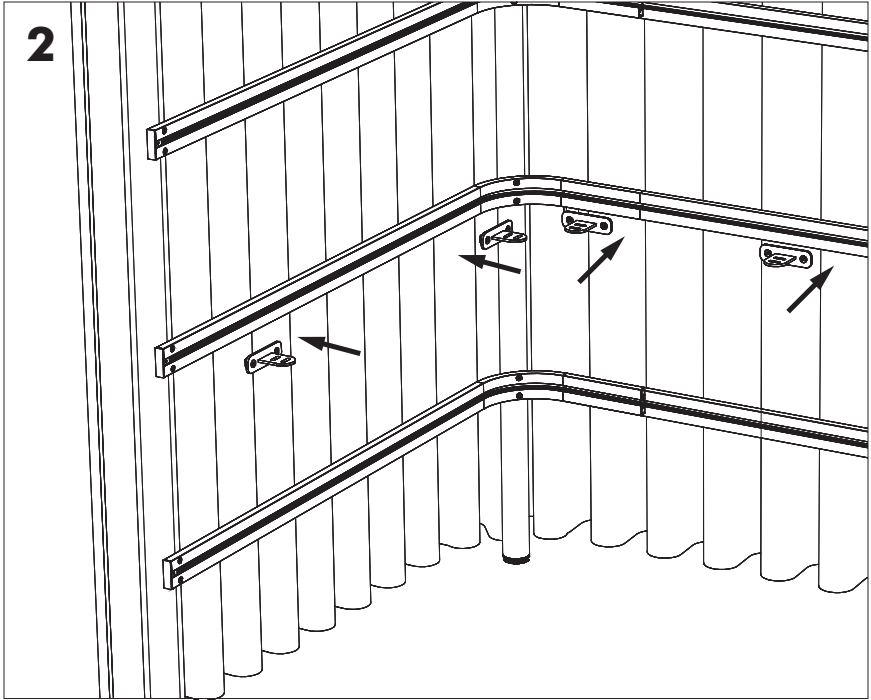


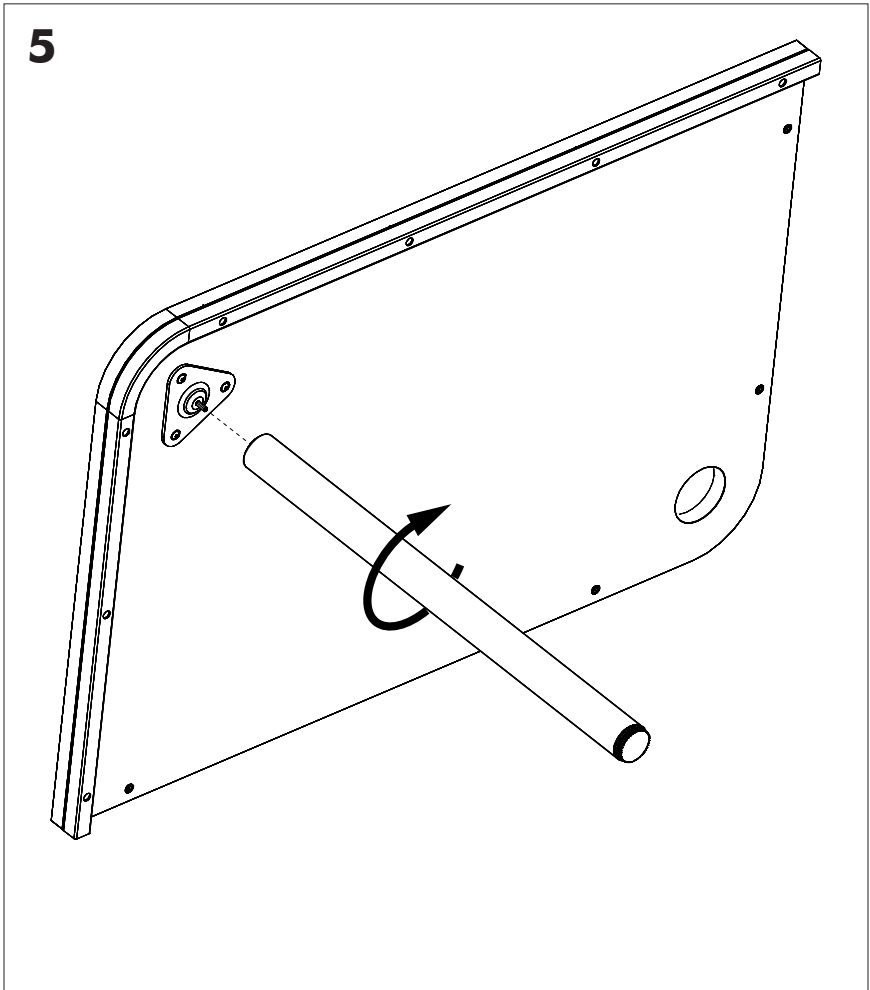
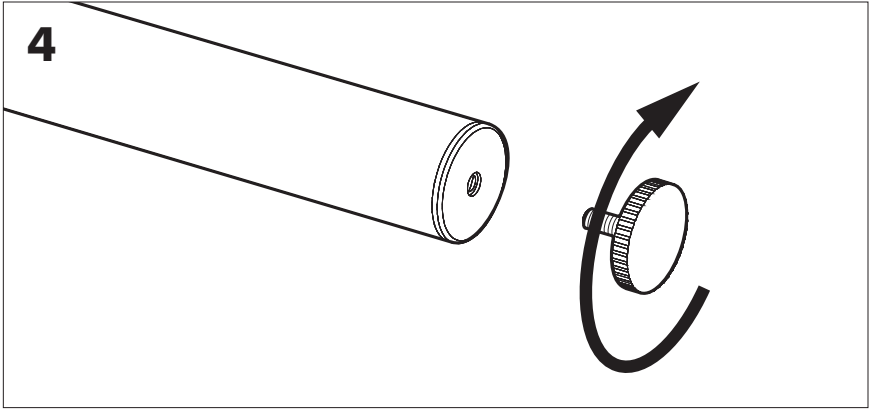
8x

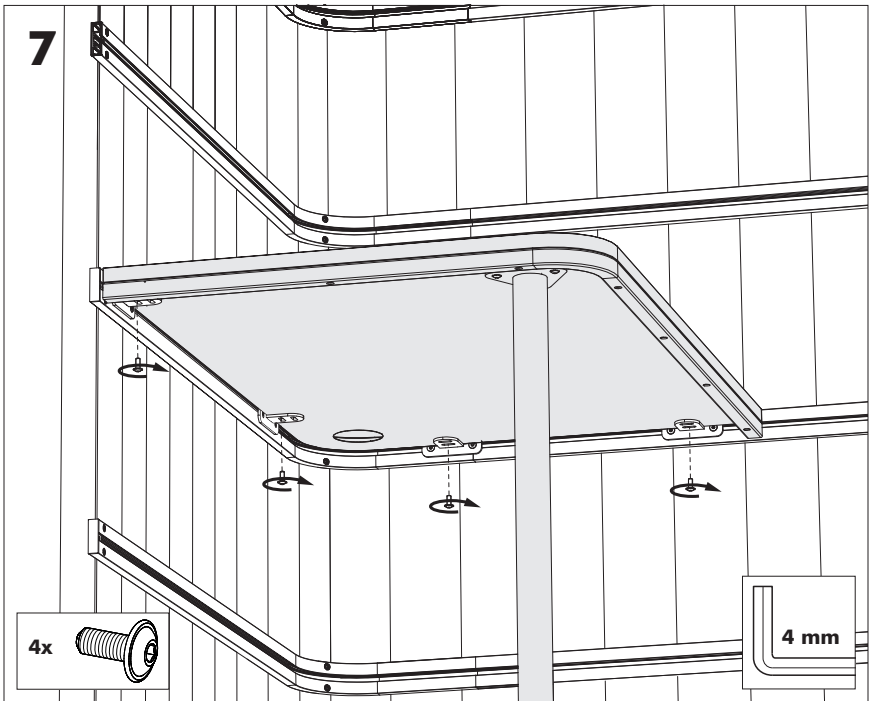


4 mm

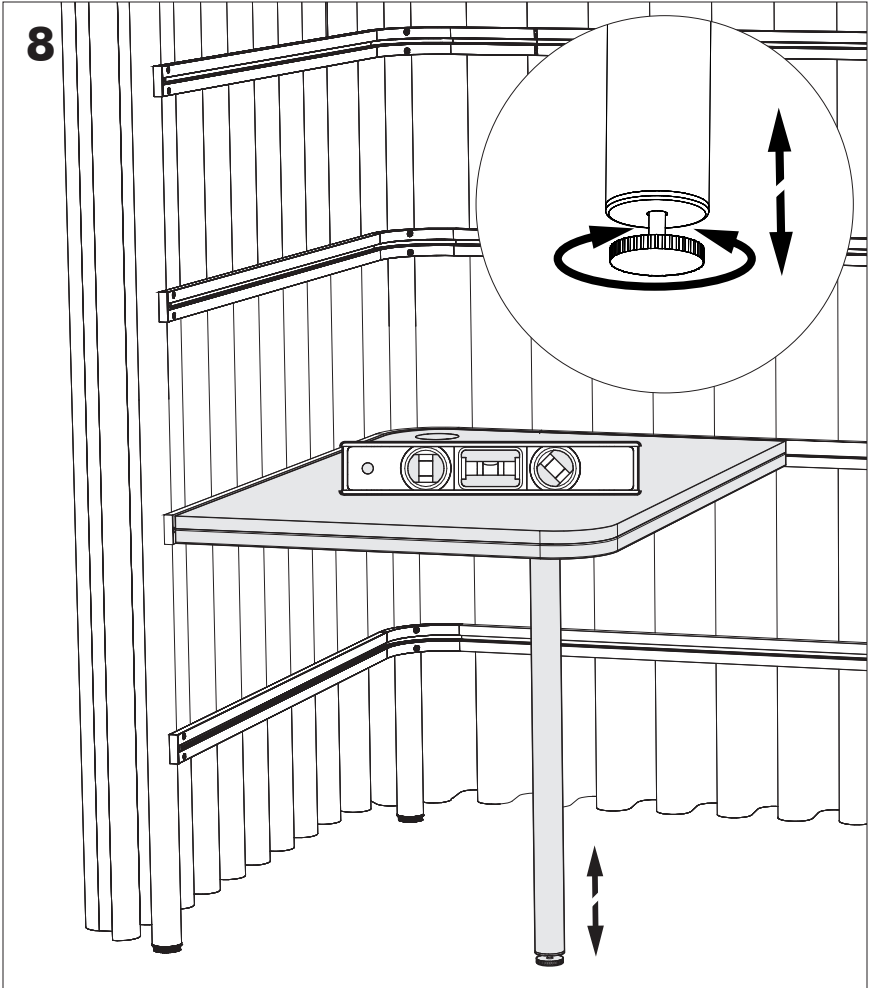








8

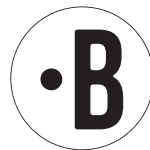


BuzziSpace Group NV
Italiëlei 8, 2000 Antwerp
Belgium

☎ +32 (0)3 846 10 00

✉ info@buzzi.space

🌐 www.buzzi.space



Doc nr.: A-0000006433/02

Last update: 29/11/2023