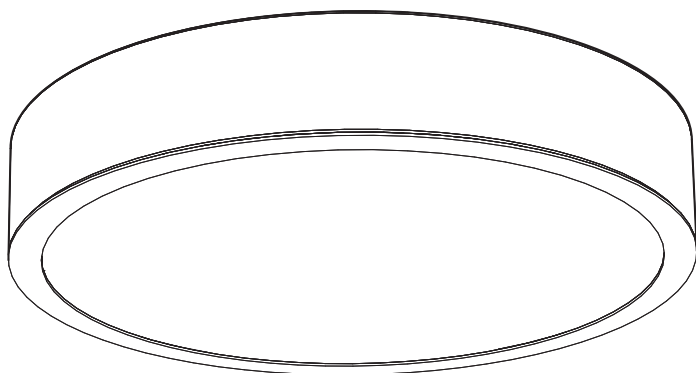


BuzziDisk Ceiling Mounted

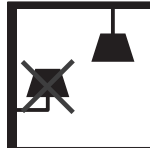
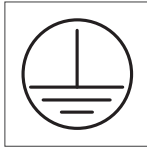
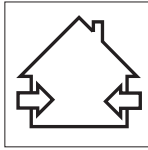
INSTALLATION MANUAL

MODE D' EMPLOI

120V



Technical info

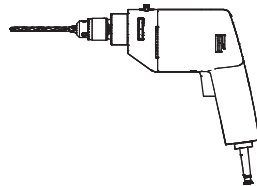
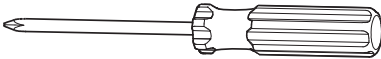


OR

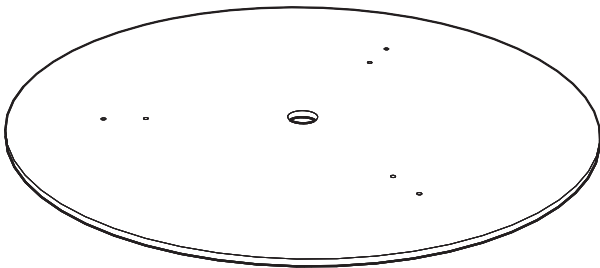
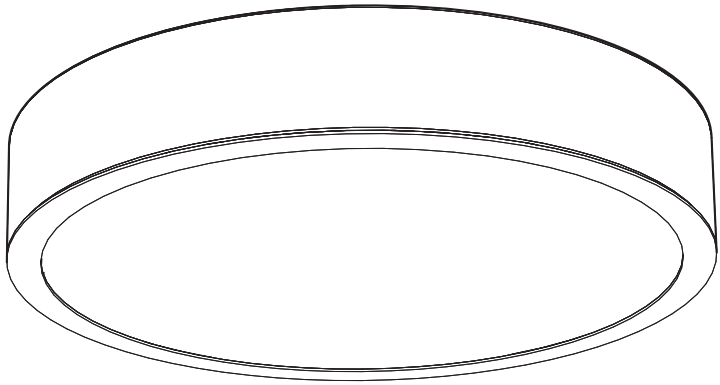


⚠ The light source of this luminaire is not replaceable; when the light source reaches its end of life the whole luminaire shall be replaced.

Excluded

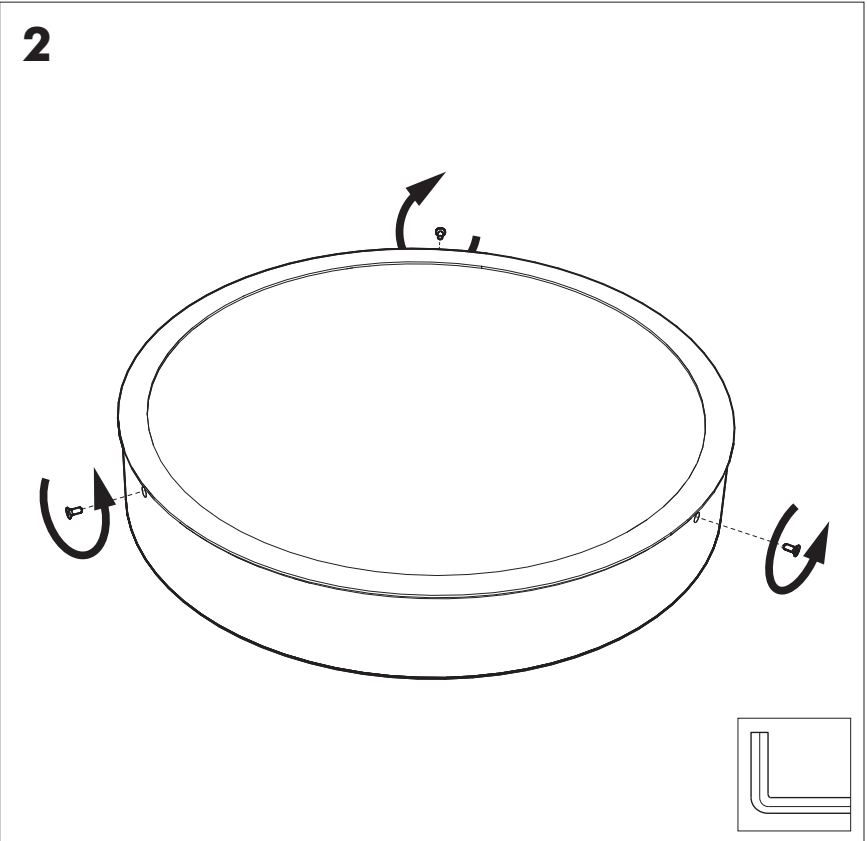
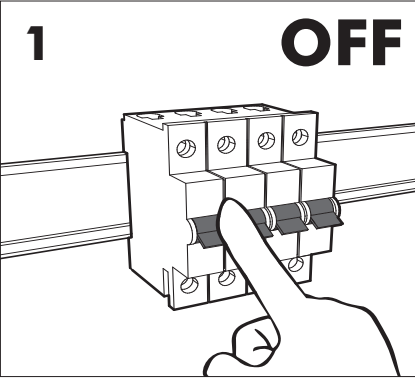
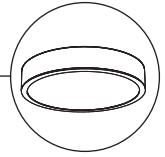


Included BuzziDisk Ceiling Mounted

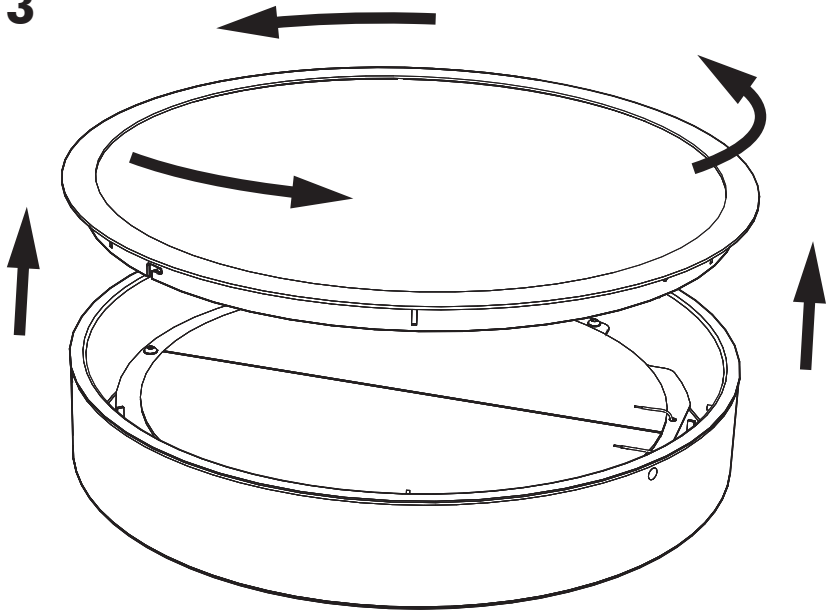


BuzziDisk Ceiling Mounted

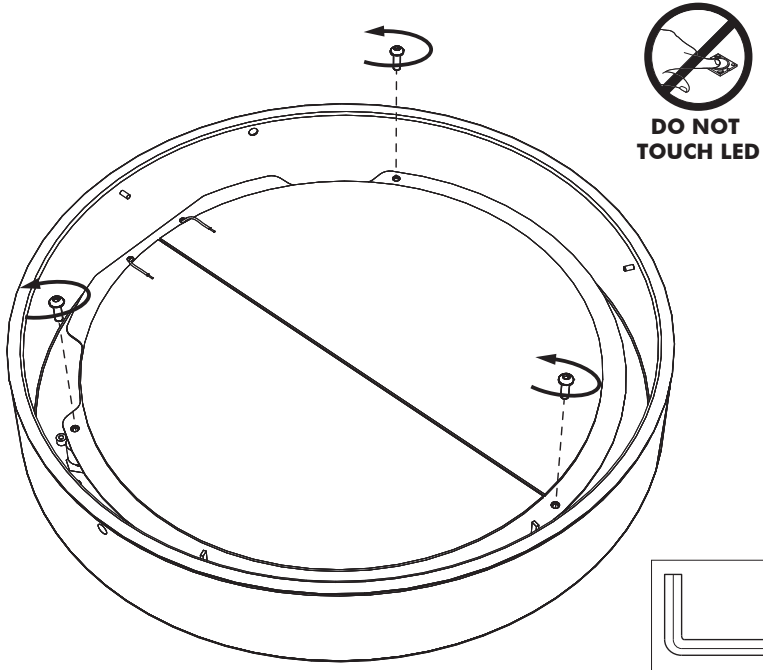
1 PERS. 



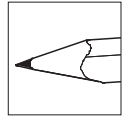
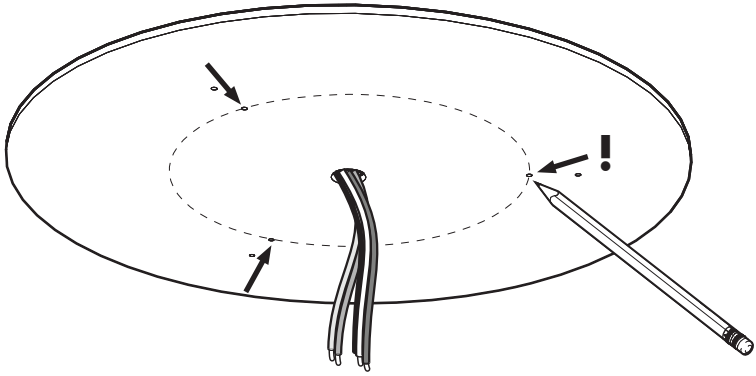
3



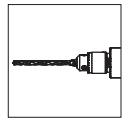
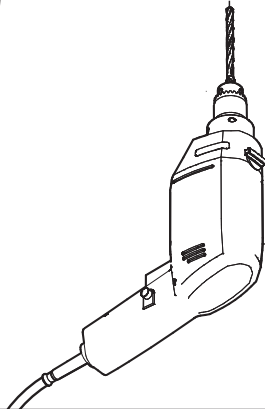
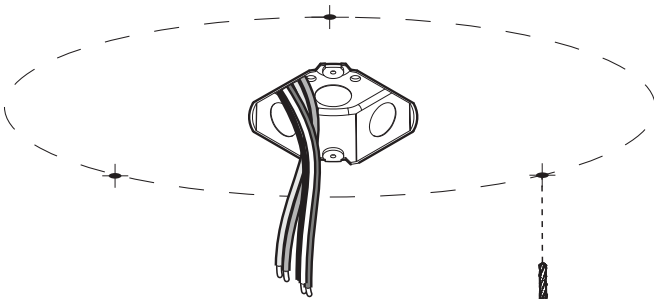
4



5

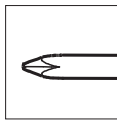
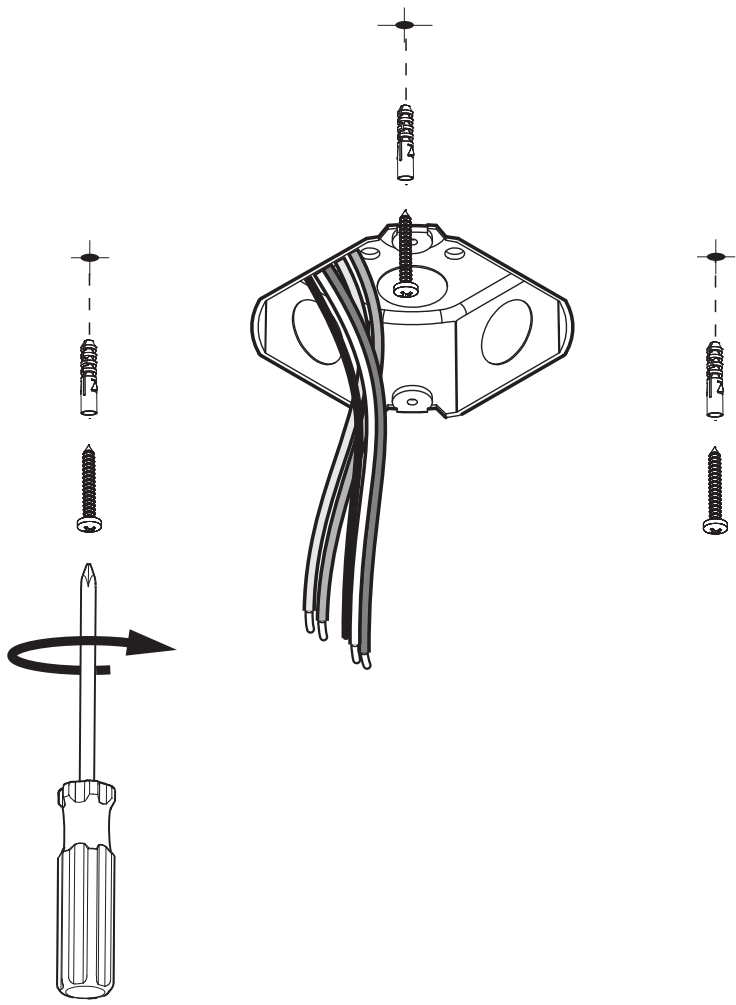


6

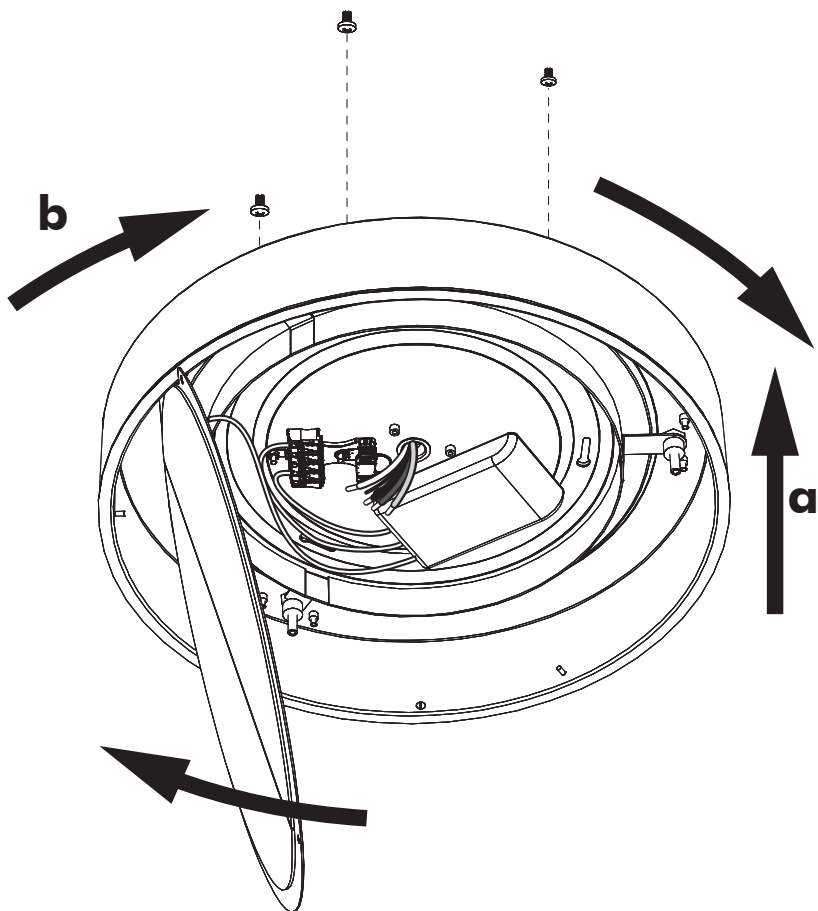
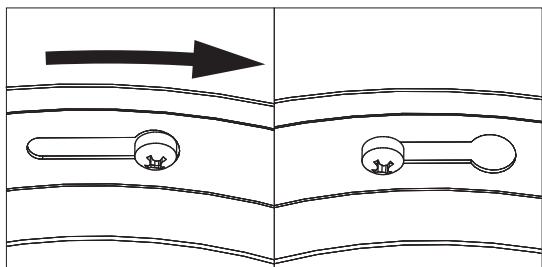


7

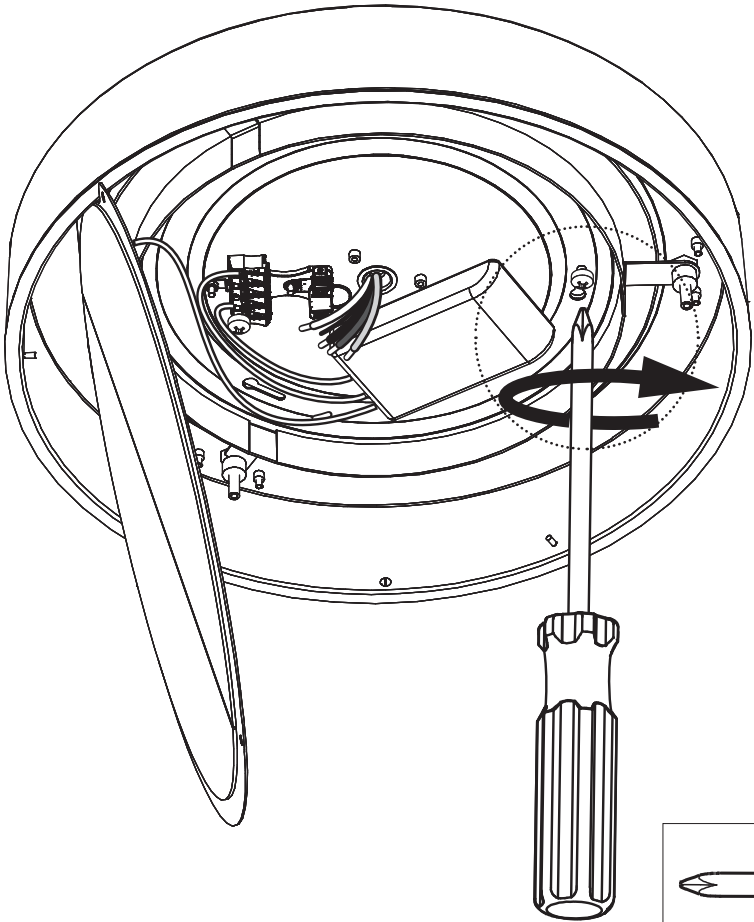
$\pm 0.5\text{cm}$
 $\pm 0.20''$
Max. $\varnothing 0,9\text{ cm}$
 $\varnothing 0.35''$



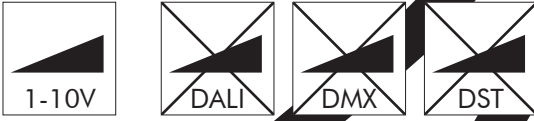
8



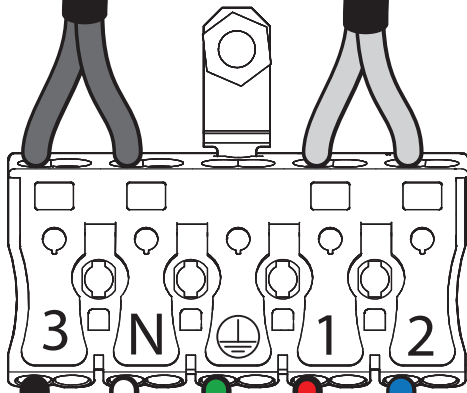
9



10a

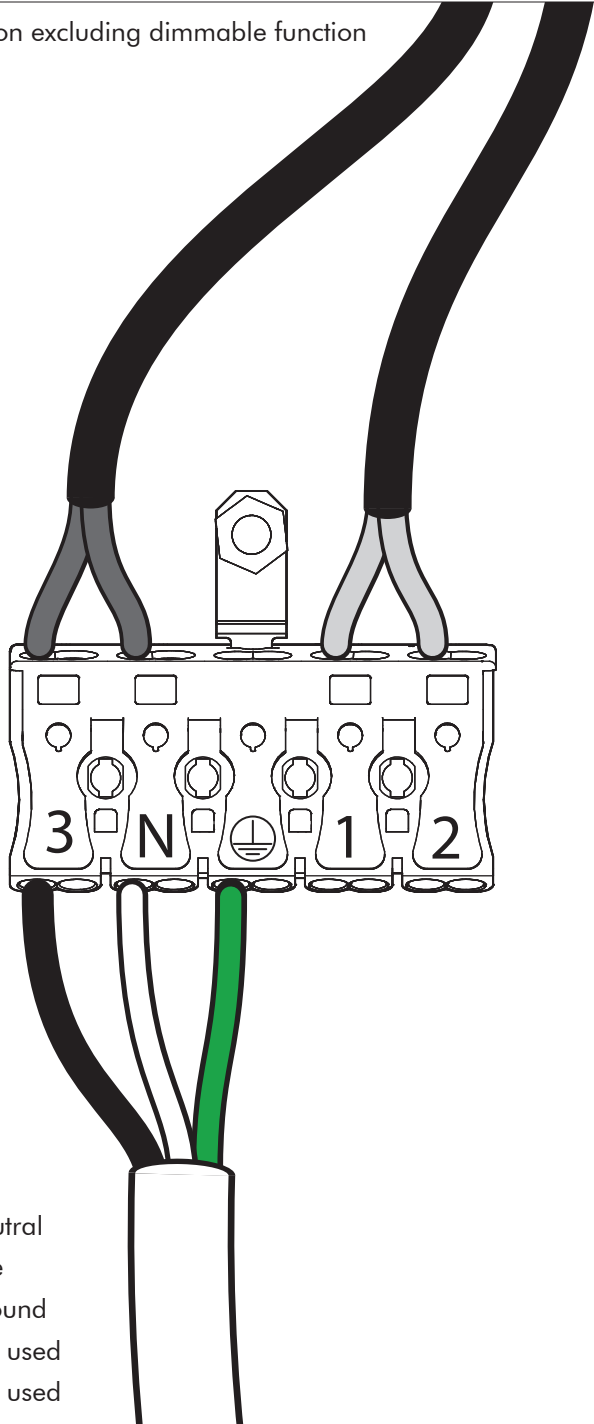


Connection including dimmable function



- N Neutral
- 3 Line
- 0 Ground
- 1 1 DIM +
- 2 2 DIM -

10b Connection excluding dimmable function

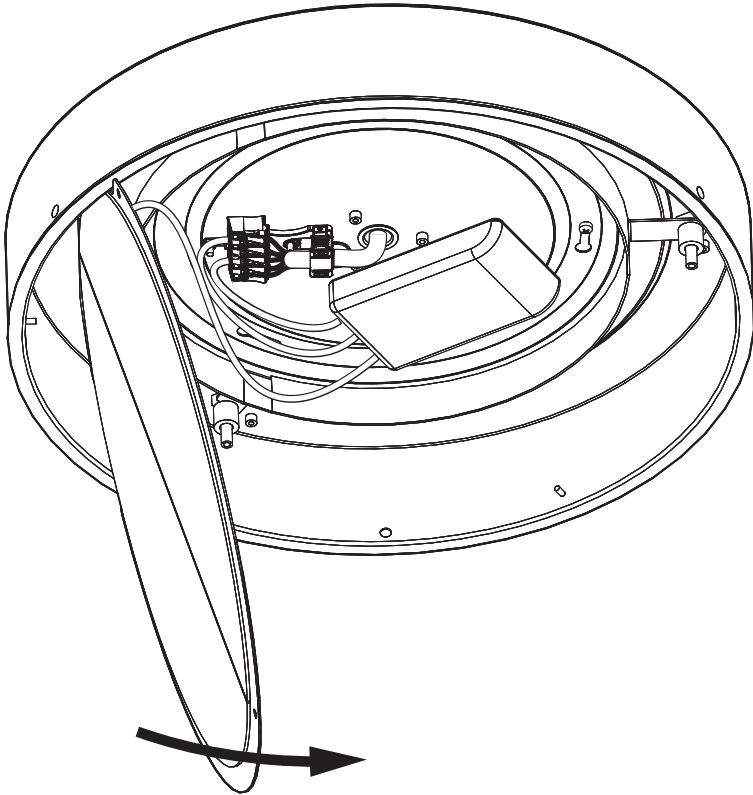


- N Neutral
- 3 Line
- 0 Ground
- 1 Not used
- 2 Not used

11



**DO NOT
TOUCH LED**

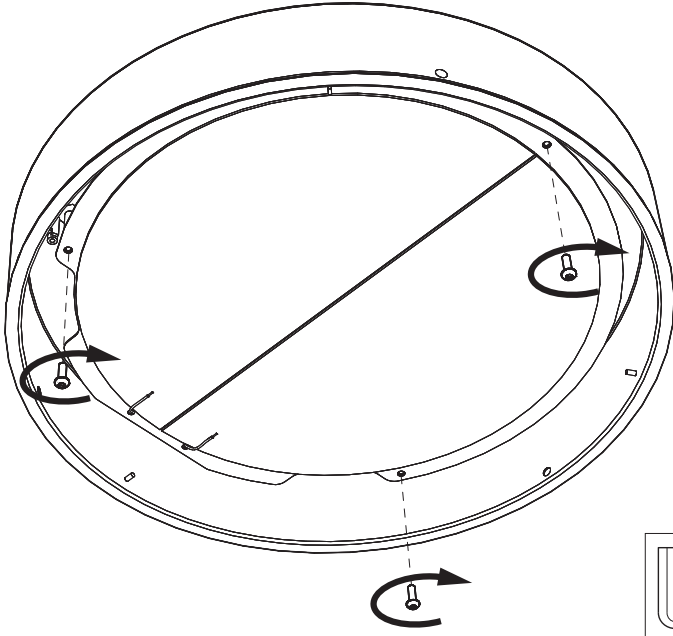


! Make sure wires are not pinched in-between during this step !

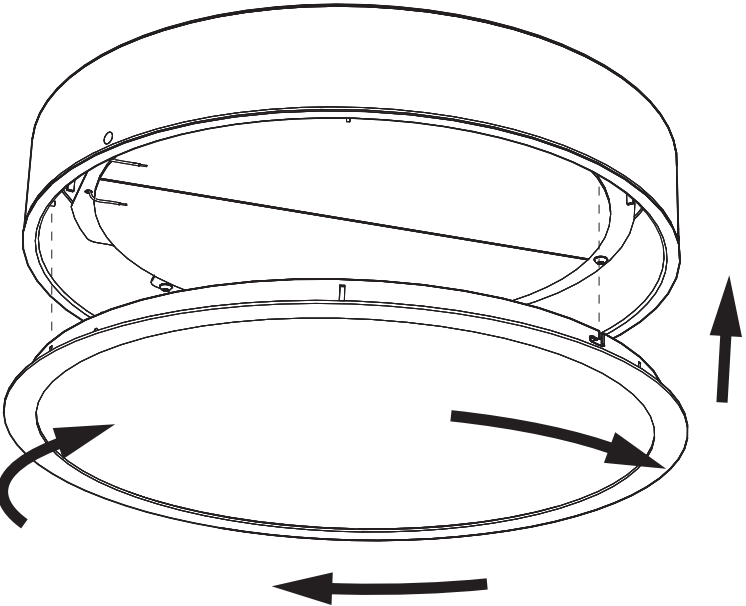
! Assurez-vous que les fils ne sont pas pincés pendant cette étape !

12

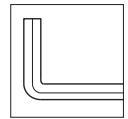
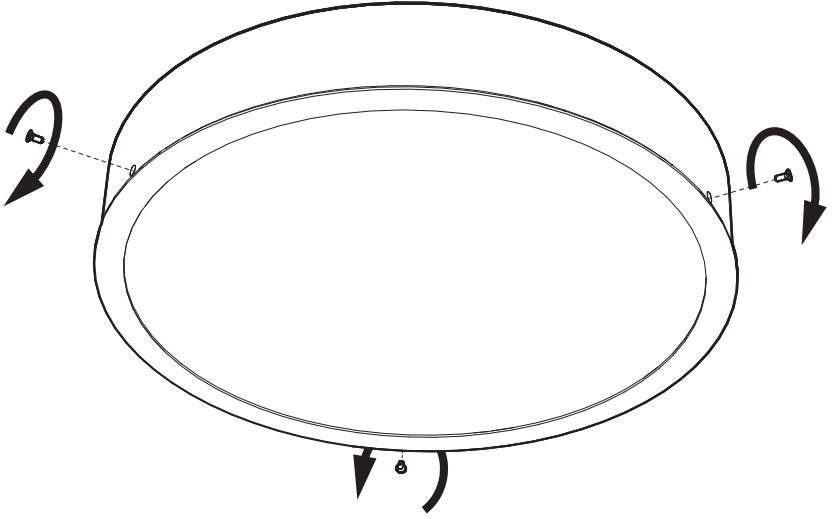
12



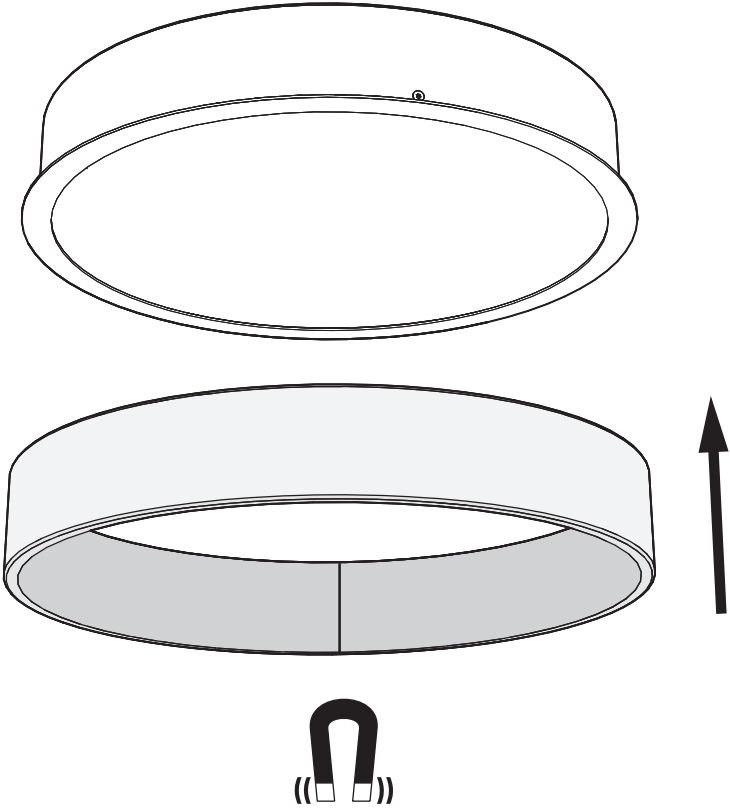
13



14



15



BuzziSpace Group NV
Italiëlei 8, 2000 Antwerp
Belgium

☎ +32 (0)3 846 10 00

✉ info@buzzi.space

🌐 www.buzzi.space



Doc nr.: A-0000007512/01

Last update: 30/11/2023