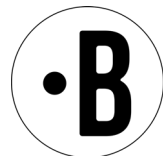
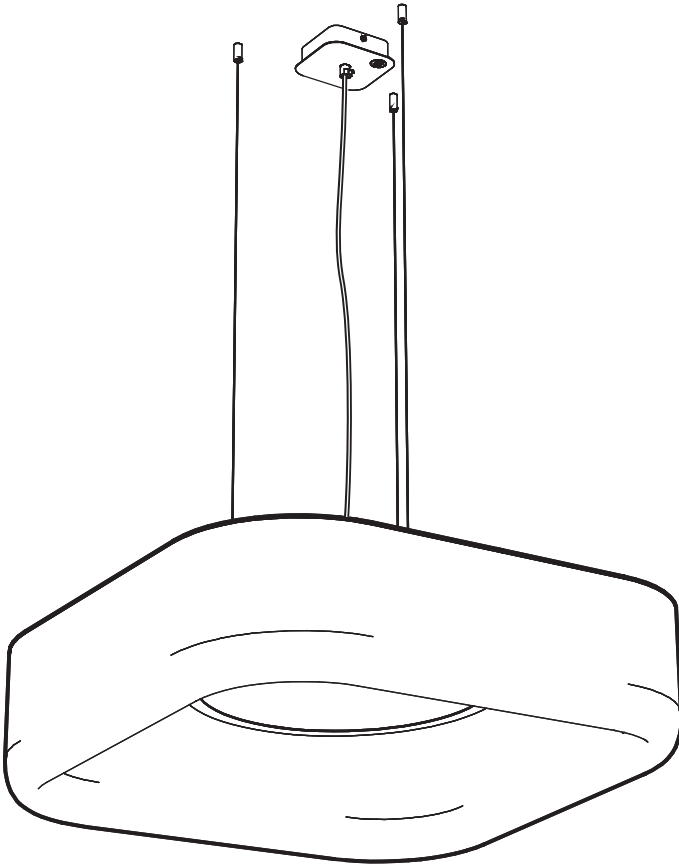
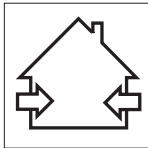


BuzziJet Square Ceiling Suspended S|M
Ceiling Mounted S|M

INSTALLATION MANUAL
120V



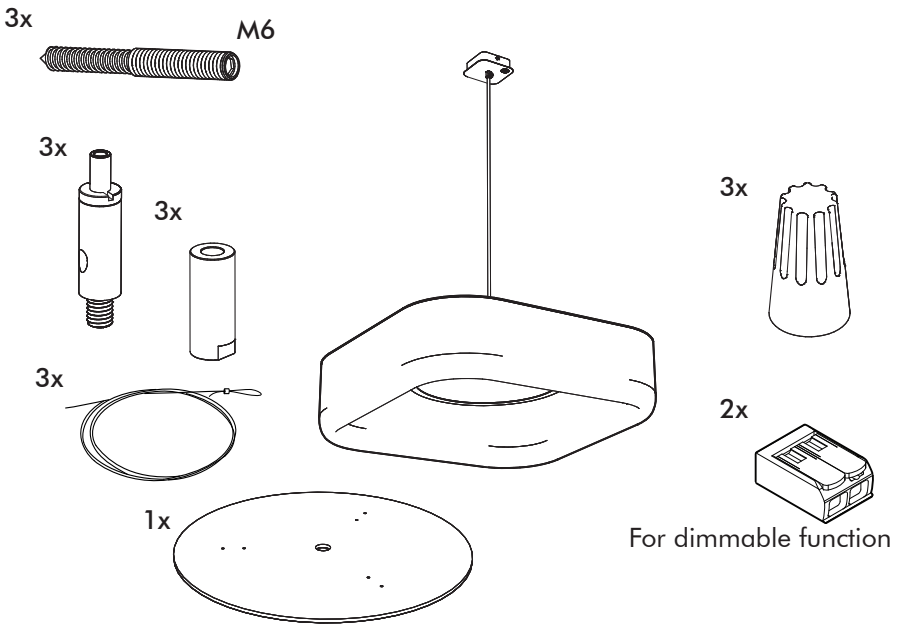
Technical info



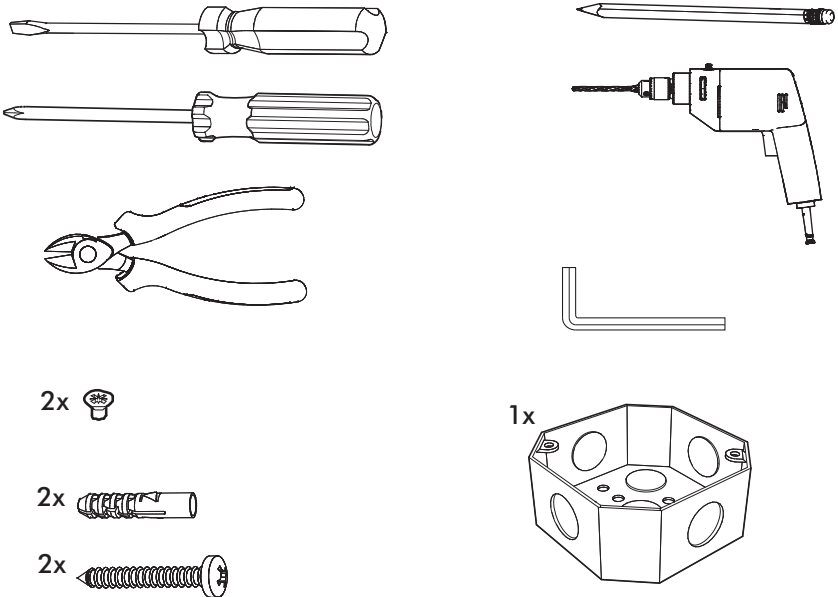
OR

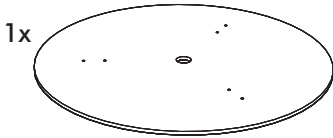
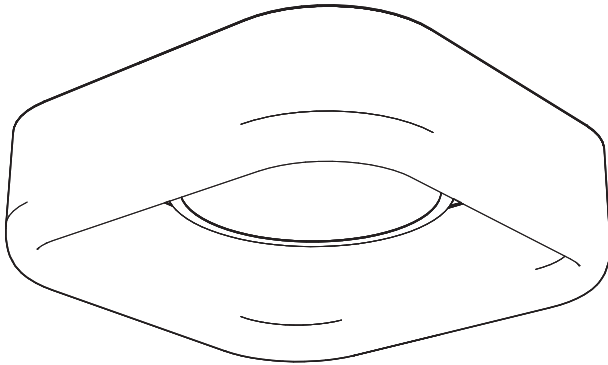


⚠ The light source of this luminaire is not replaceable; when the light source reaches its end of life the whole luminaire shall be replaced.

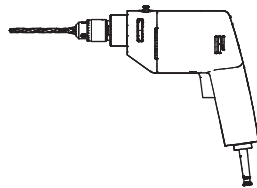
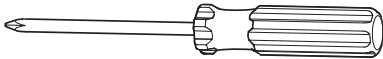


Excluded

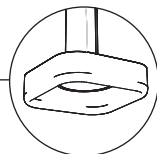




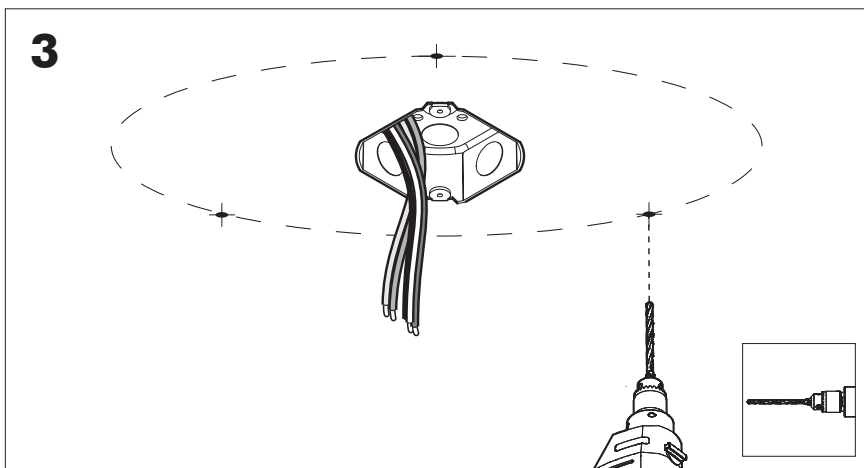
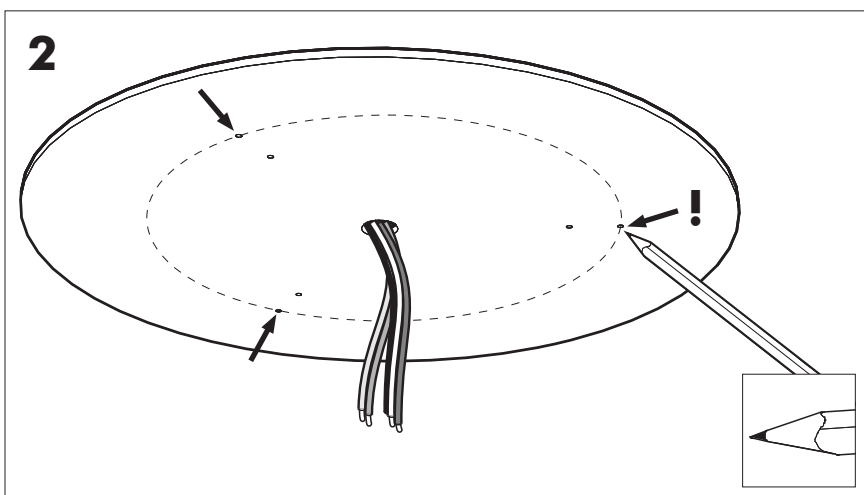
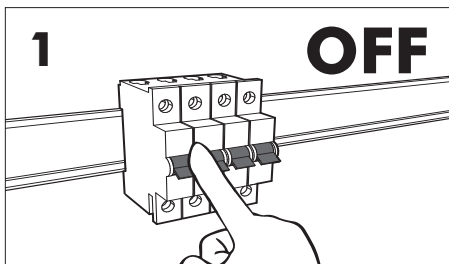
Excluded



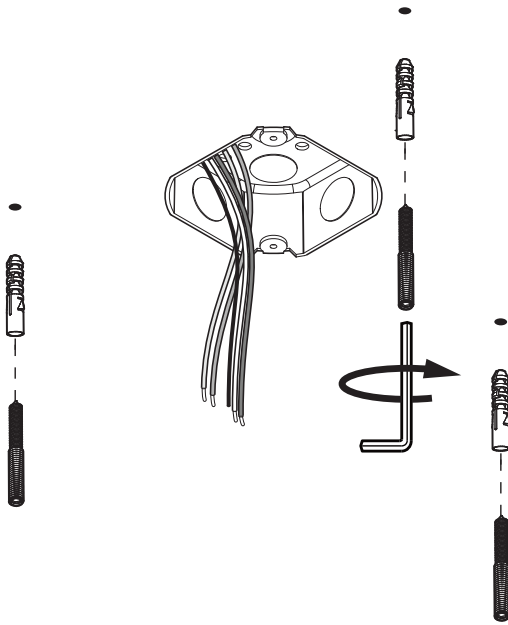
BuzziJet Square Ceiling Suspended Straight



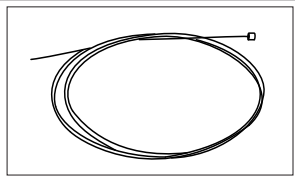
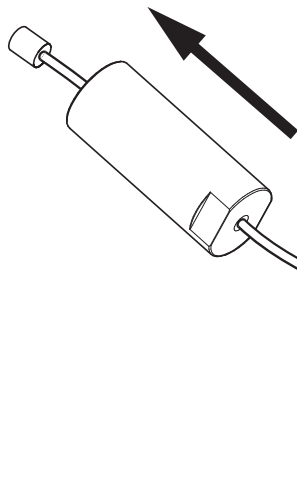
2 PERS. 



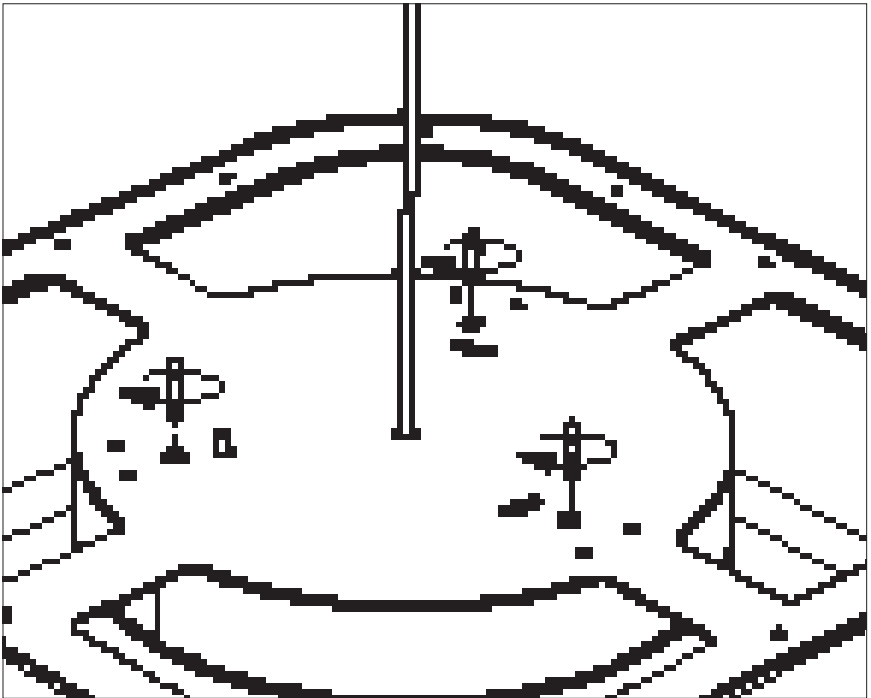
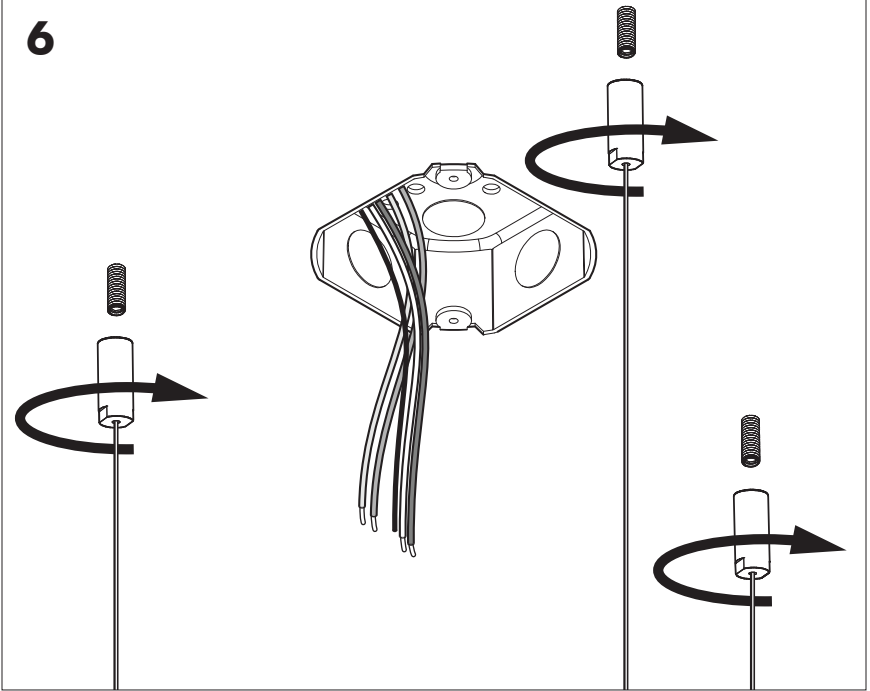
4



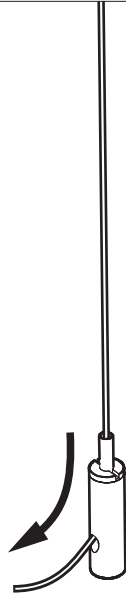
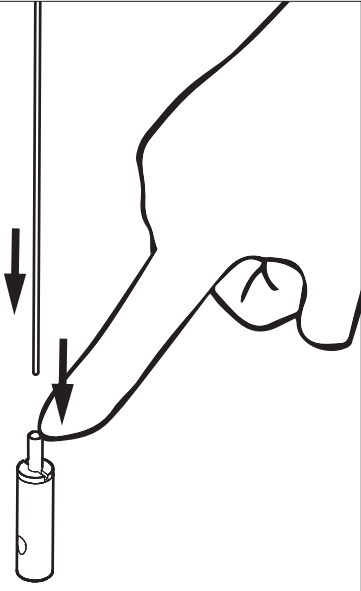
5



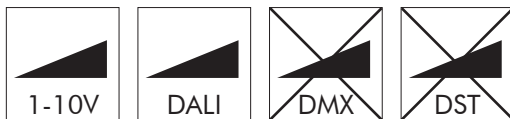
6



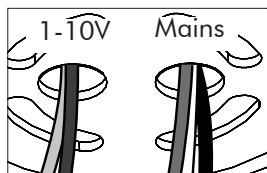
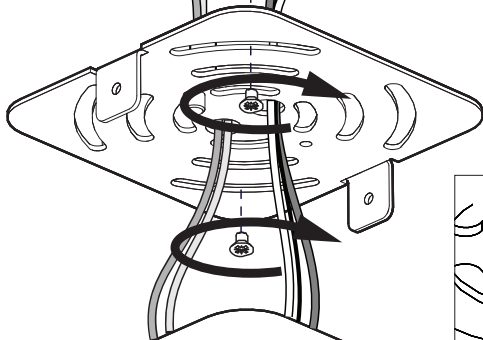
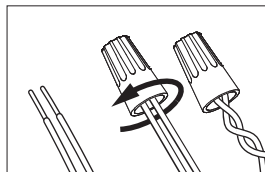
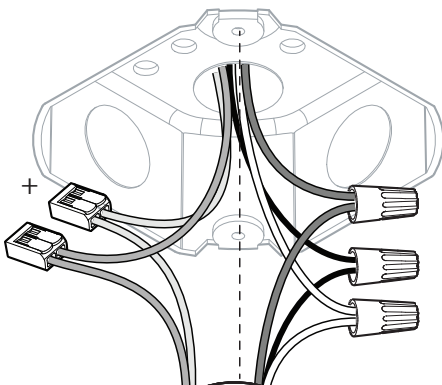
8



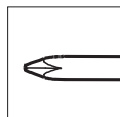
9a



Connection including dimmable function

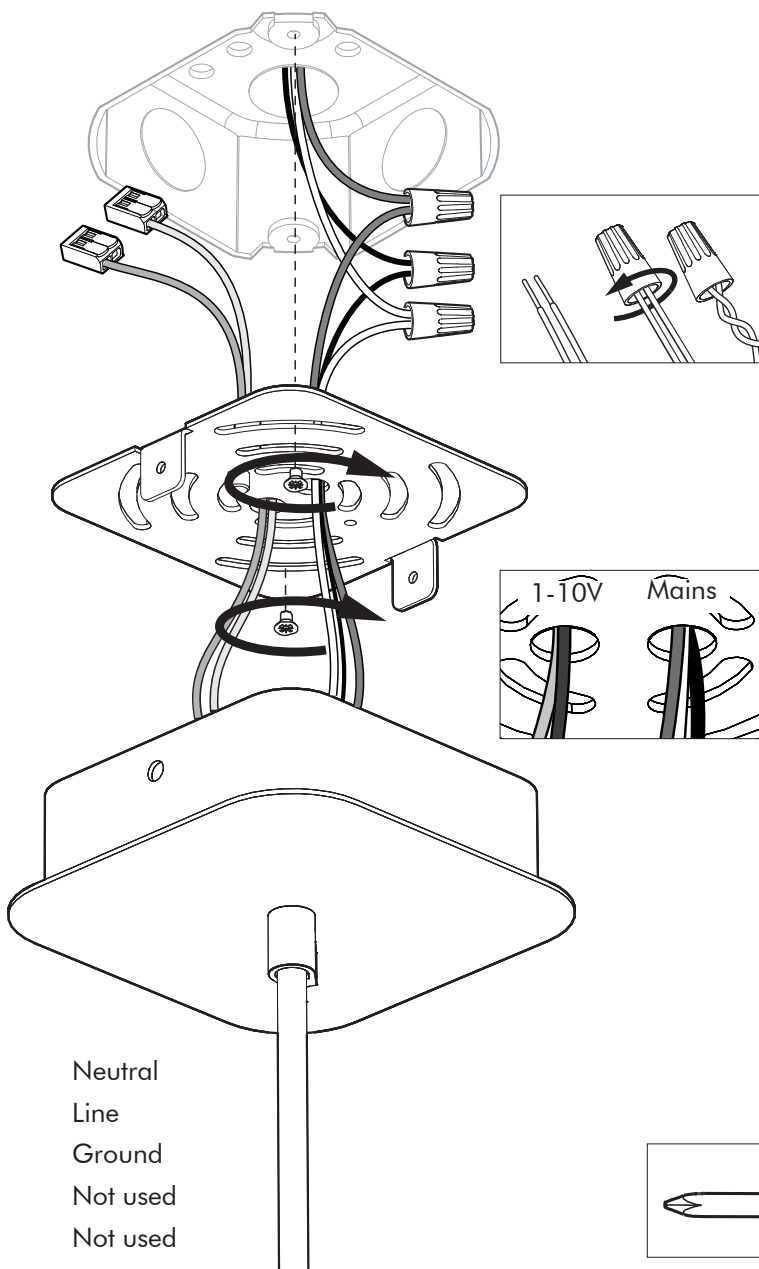


- | | |
|--------|---------|
| White | Neutral |
| Black | Line |
| Green | Ground |
| Red | DIM - |
| Purple | DIM + |

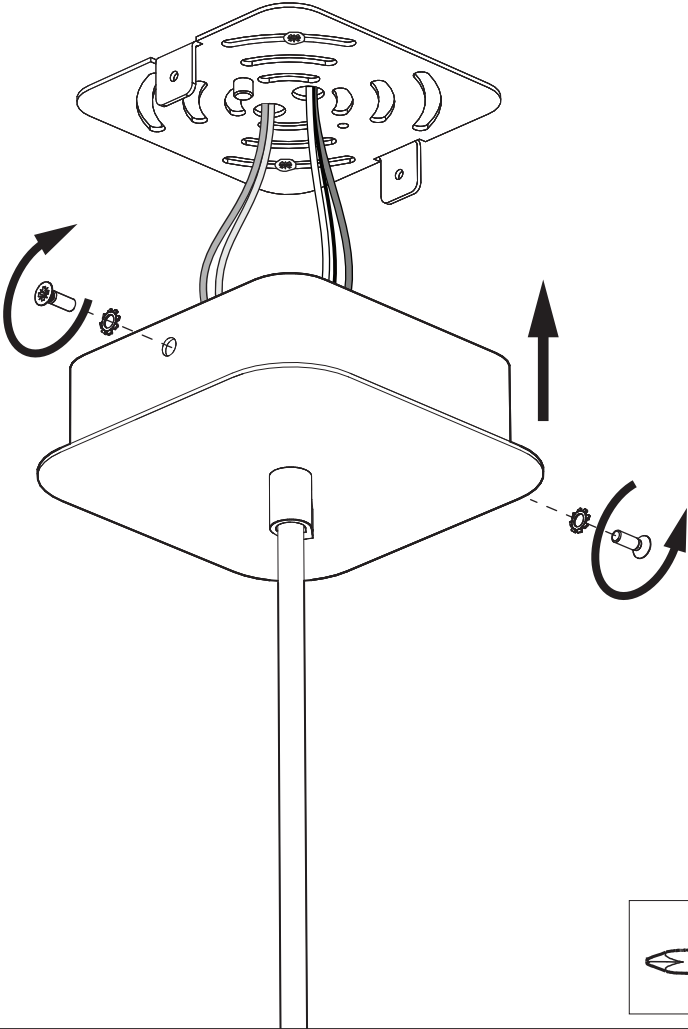


9b

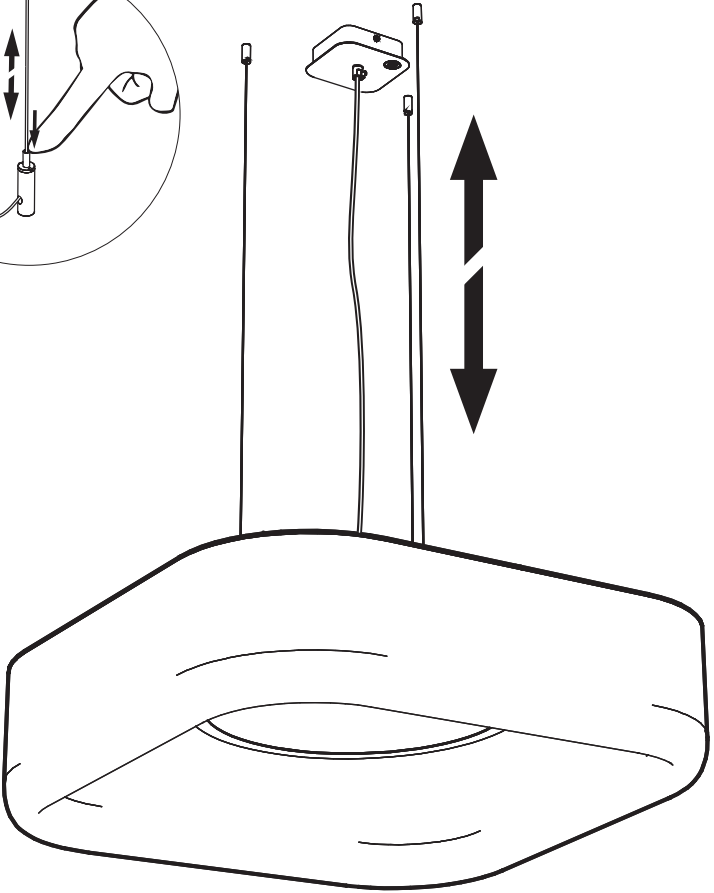
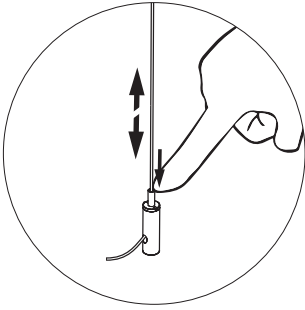
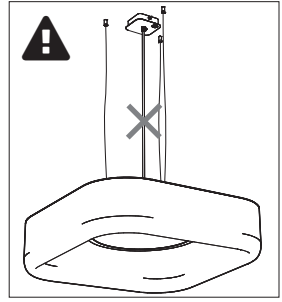
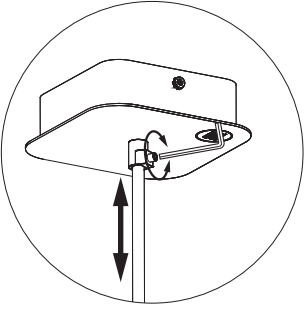
Connection excluding dimmable function



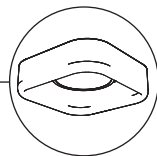
10



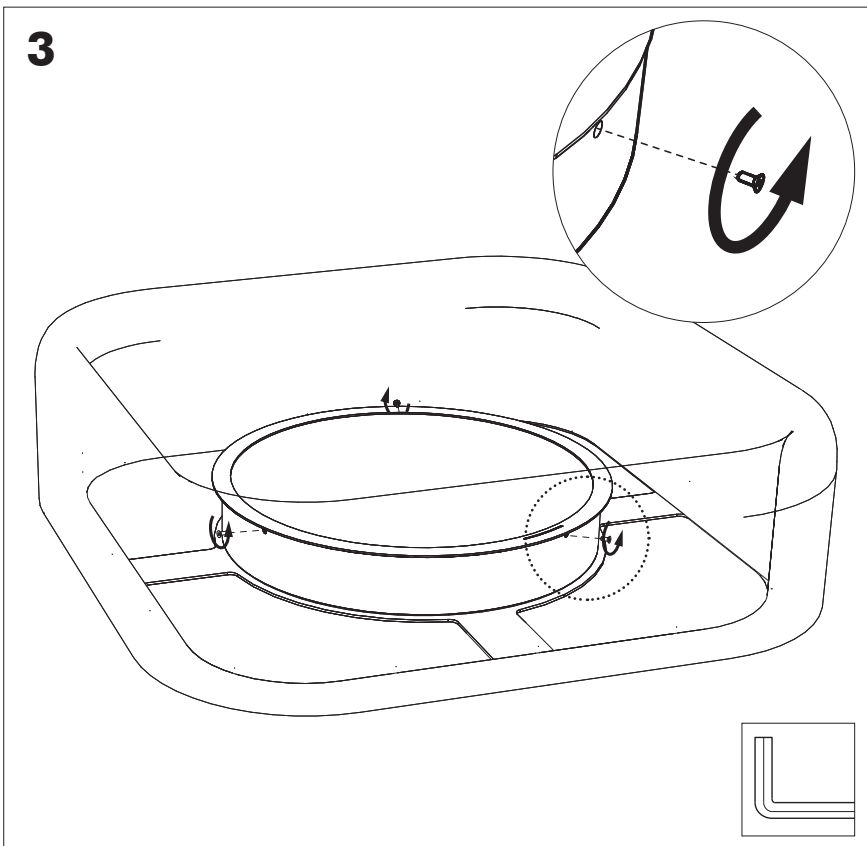
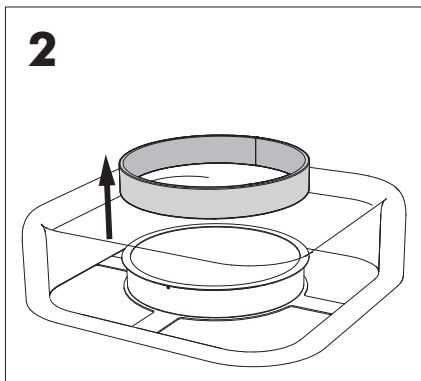
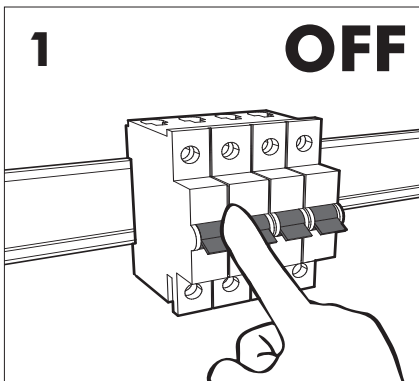
!



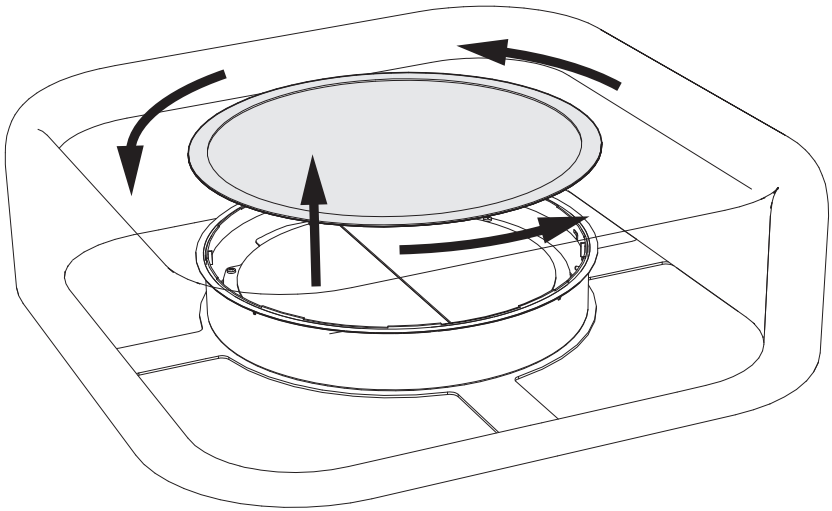
BuzziJet Square Ceiling Mounted



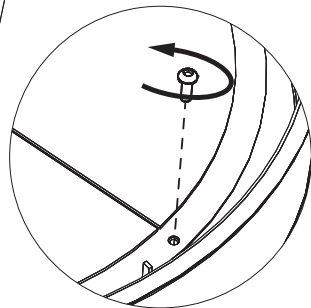
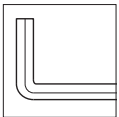
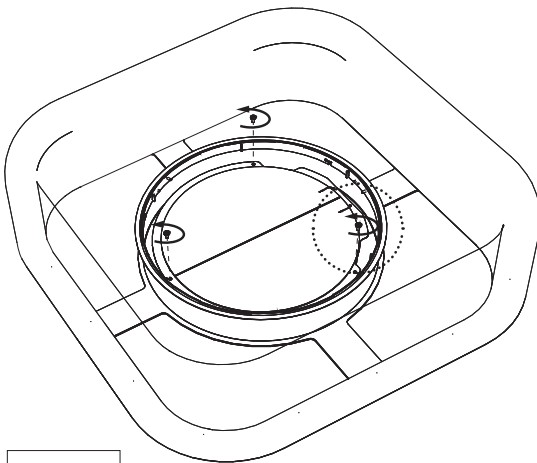
1 PERS.



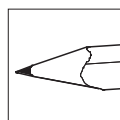
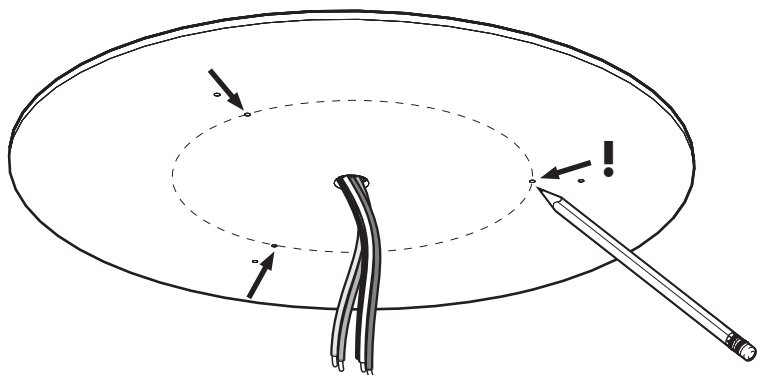
4



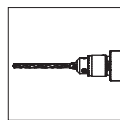
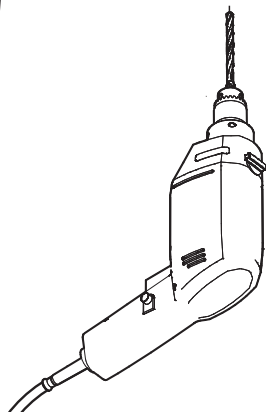
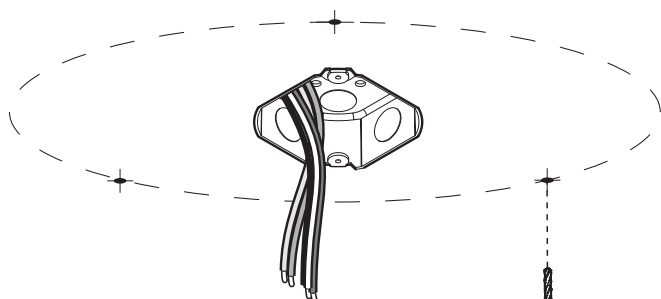
5



6

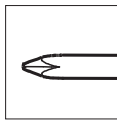
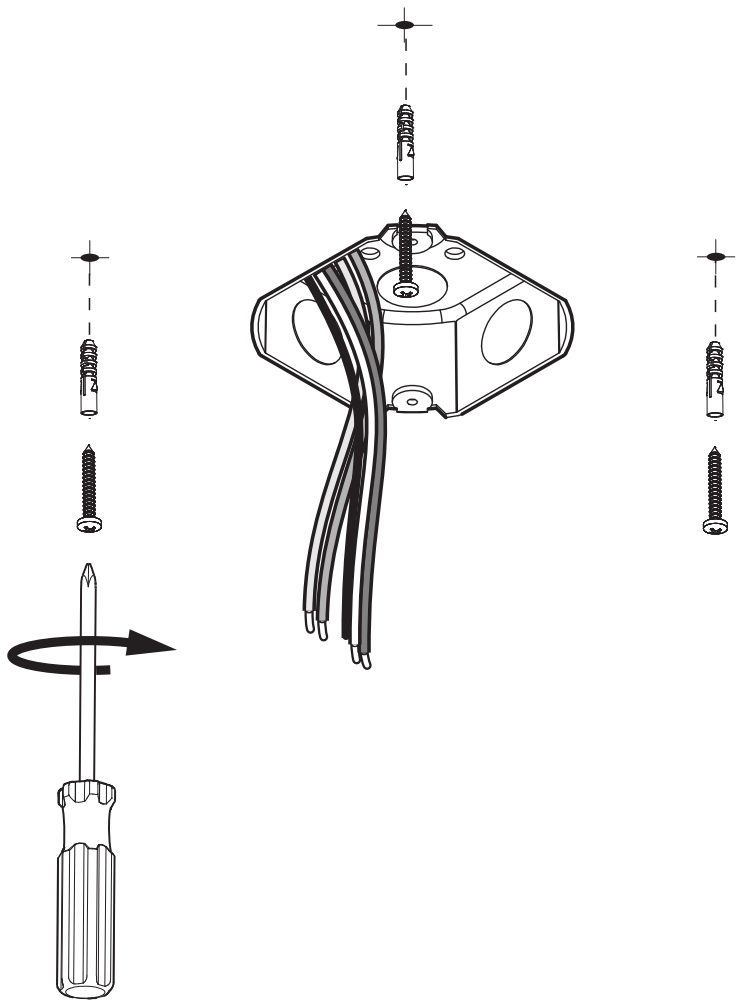


7

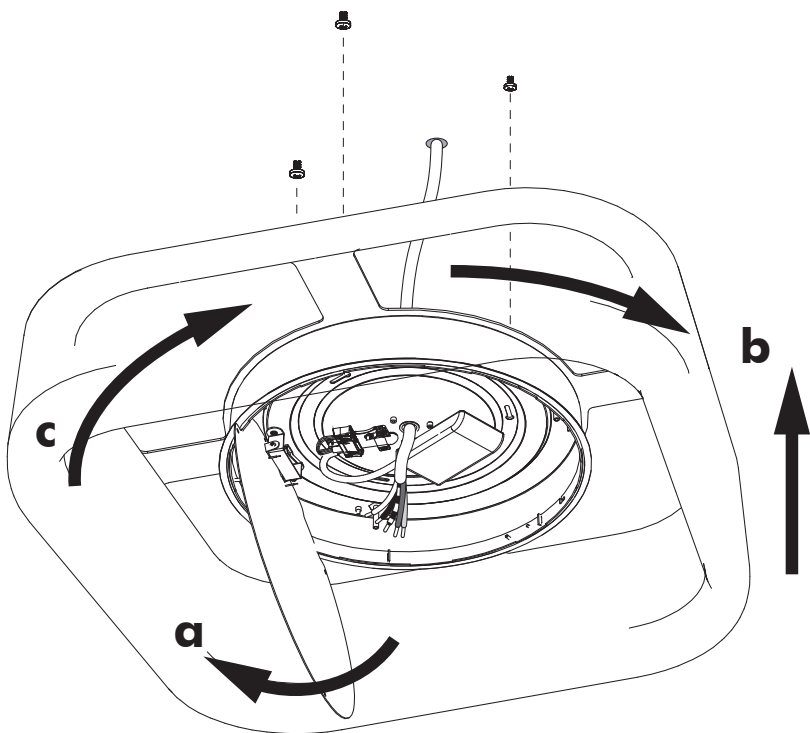
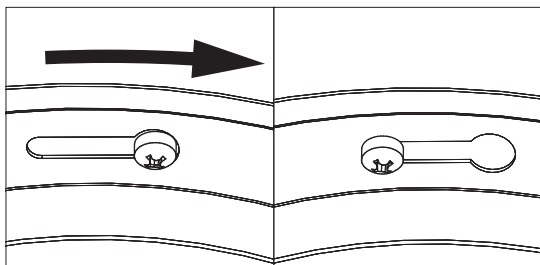


8

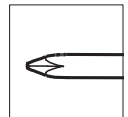
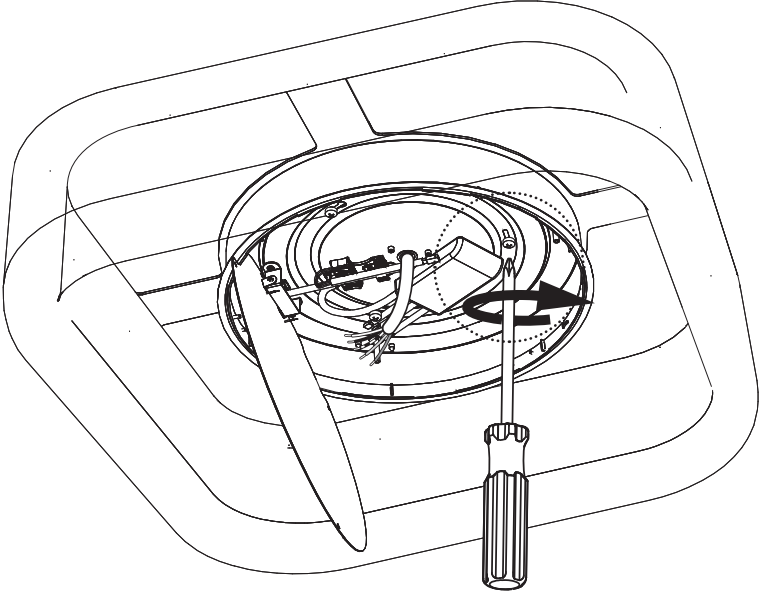
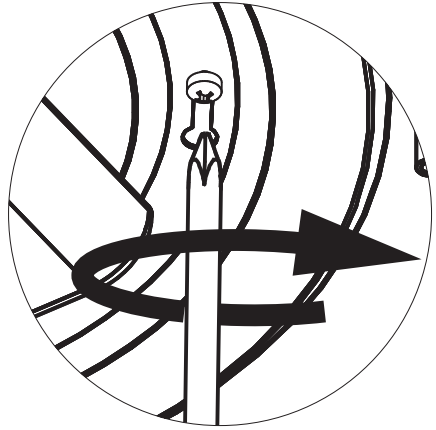
$\pm 0.5\text{cm}$
 $\pm 0.20''$
Max. $\varnothing 0,9\text{ cm}$
 $\varnothing 0.35''$



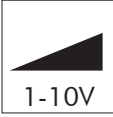
9



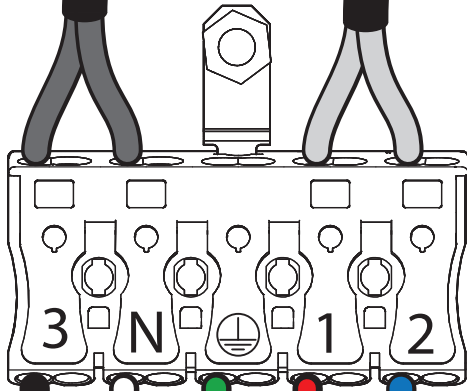
10



11a

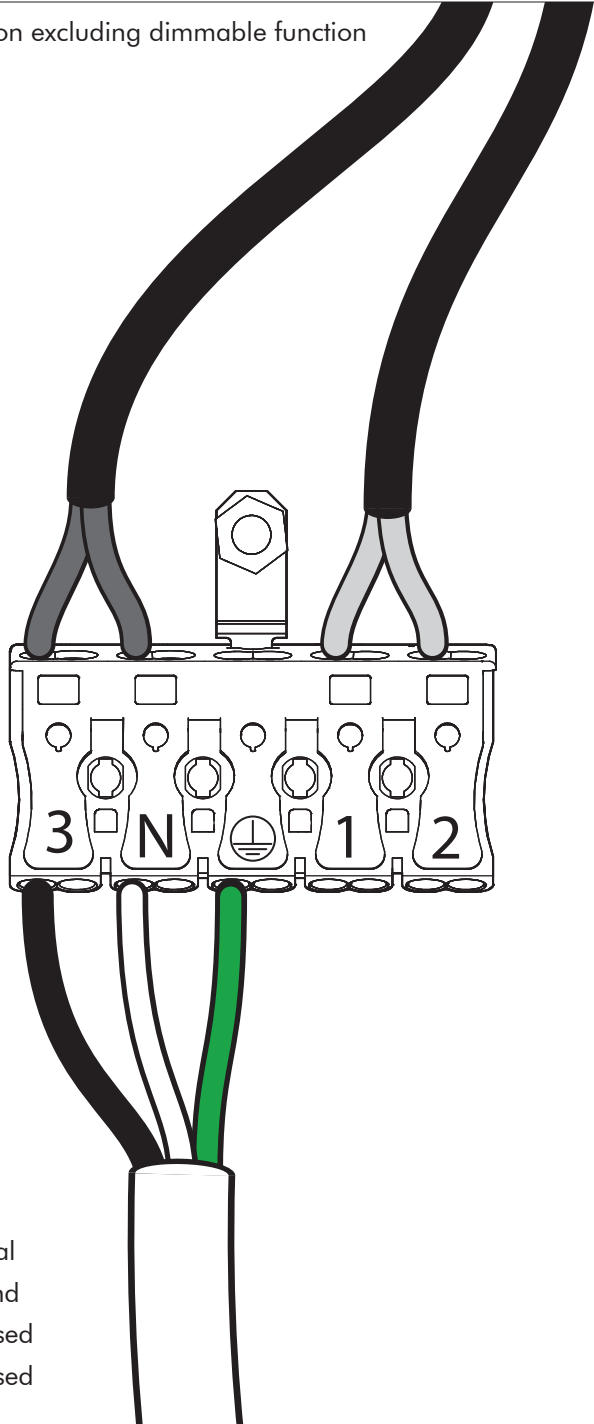


Connection including dimmable function



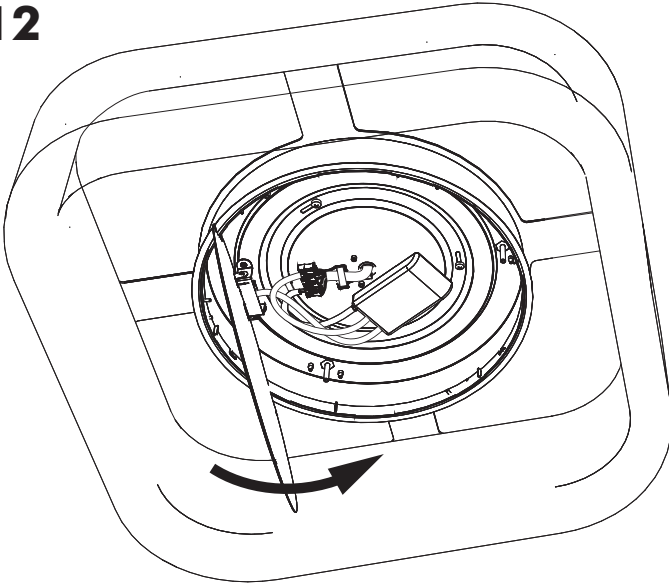
- N Line
- 3 Neutral
- 0 Ground
- 1 1 DIM +
- 2 2 DIM -

11b Connection excluding dimmable function



- N Line
- 3 Neutral
- 0 Ground
- 1 Not used
- 2 Not used

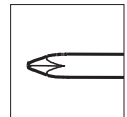
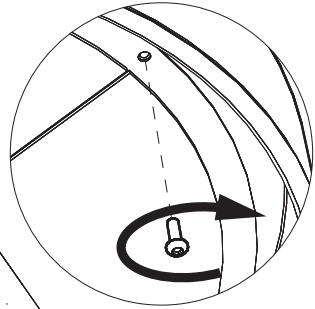
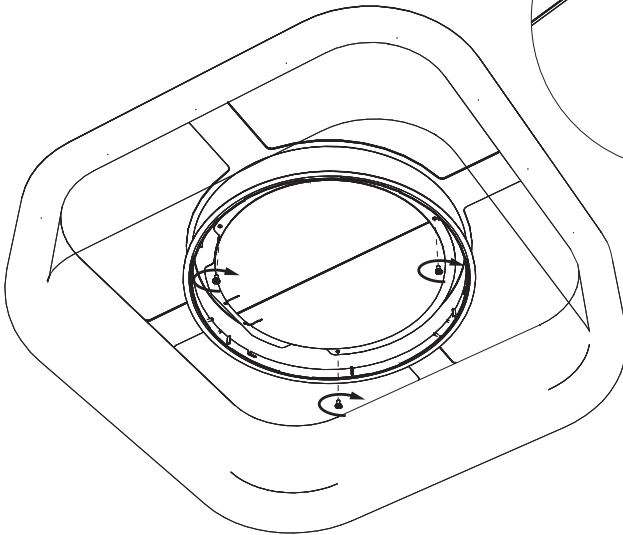
12



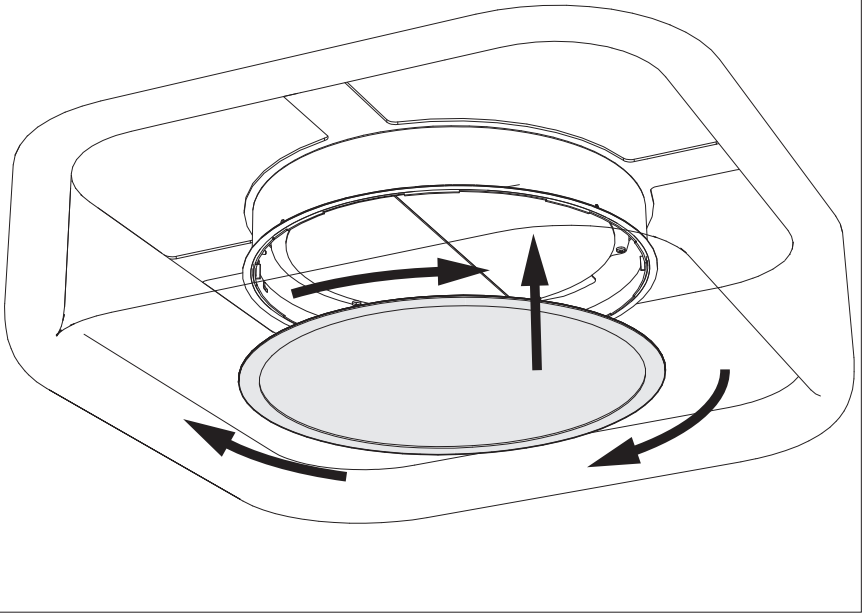
**DO NOT
TOUCH LED**

! Make sure wires are not pinched in-between during this step !
! Assurez-vous que les fils ne sont pas pincés pendant cette étape !

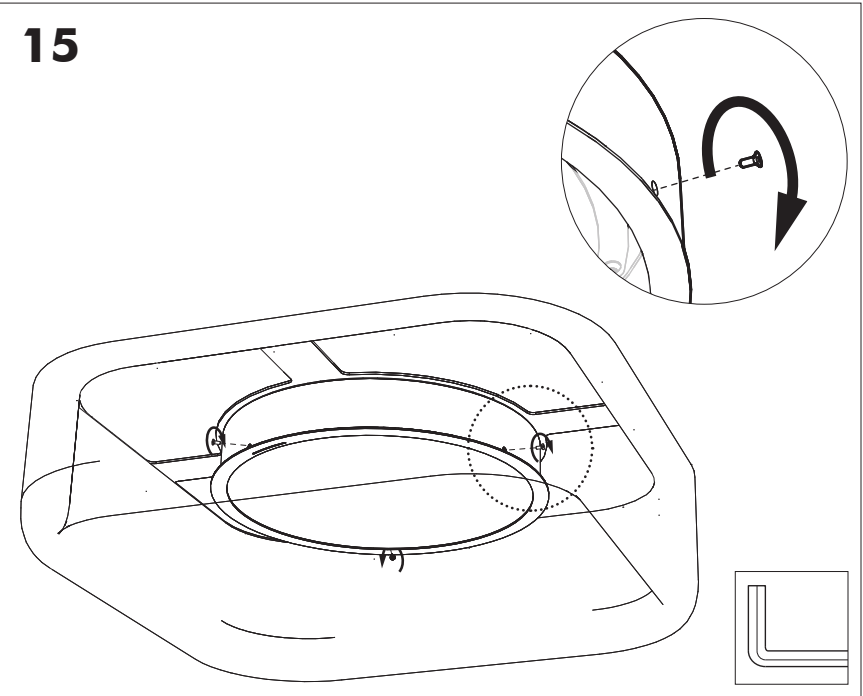
13



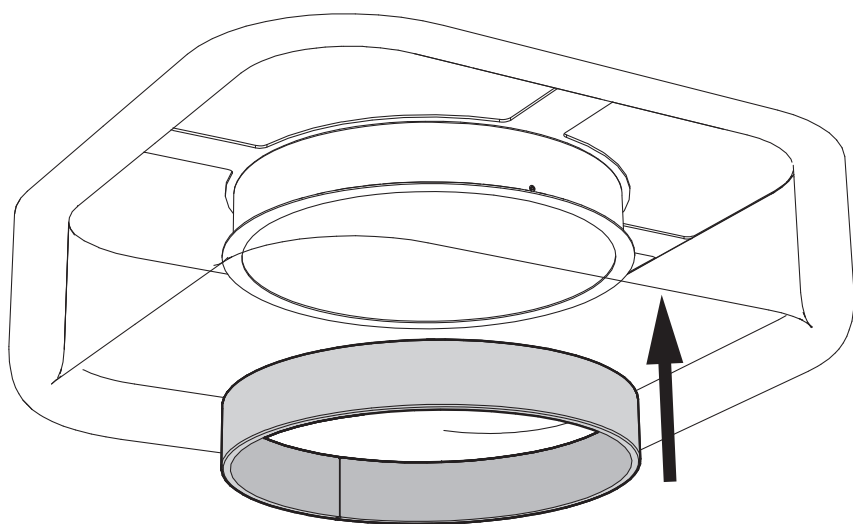
14



15



16

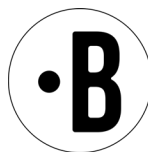


BuzziSpace Group NV
Italiëlei 8, 2000 Antwerp
Belgium

☎ +32 (0)3 846 10 00

✉ info@buzzi.space

🌐 www.buzzi.space



Doc nr.: A-0000007883/01
Last update: 30/11/2023