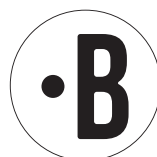
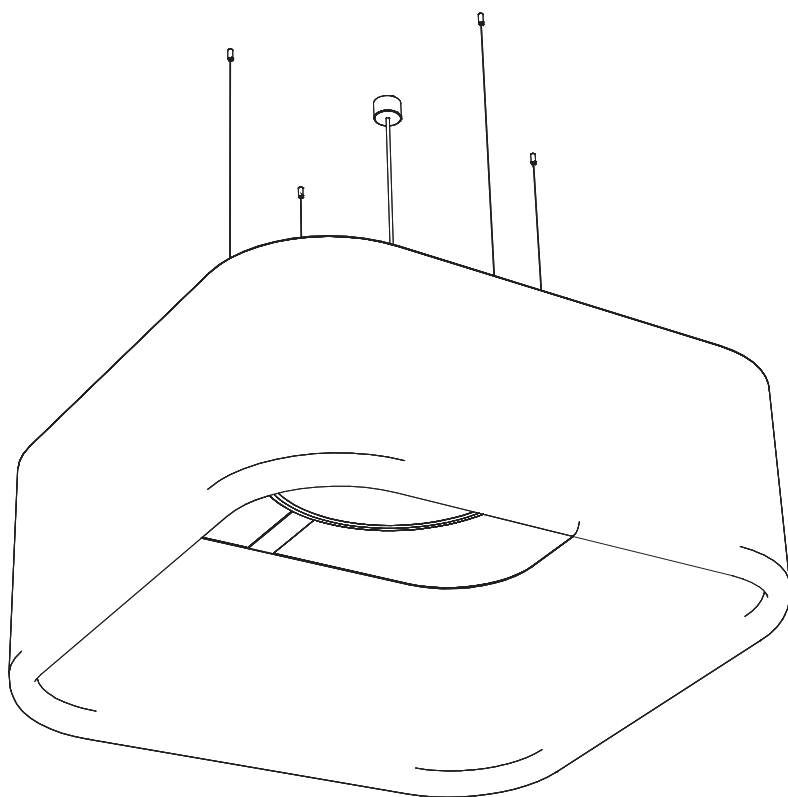


# BuzziJet Square Ceiling Suspended XL | XXL

INSTALLATION MANUAL

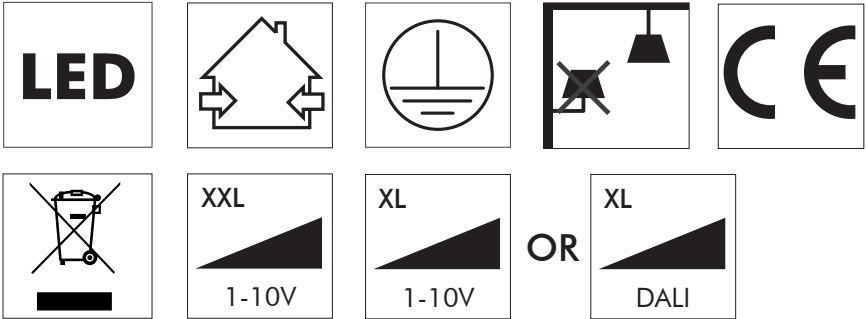
XL 220V-240V

XXL 230V



## Technical info

---



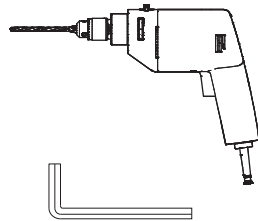
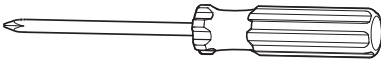
## Environmental Protection

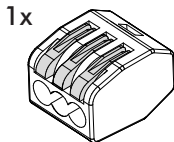
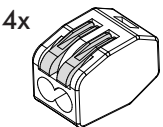
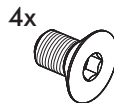
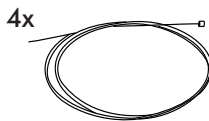
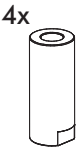
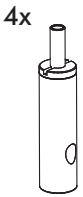
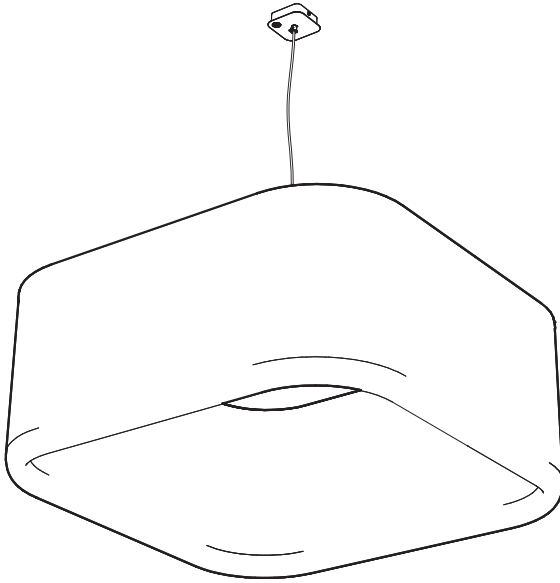
Waste electrical products should not be disposed of with household waste. Please recycle where facilities exist. Check with your Local Authority or retailer for recycling advice.

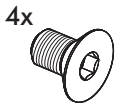
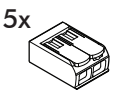
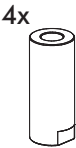
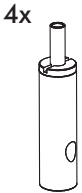
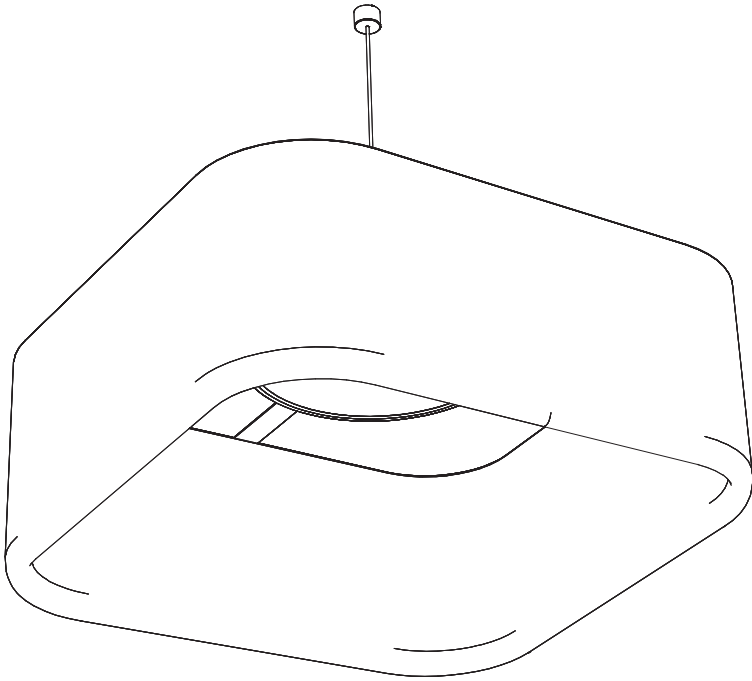
**⚠** The light source of this luminaire is not replaceable; when the light source reaches its end of life the whole luminaire shall be replaced.

## Excluded

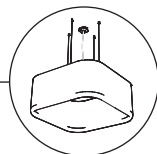
---



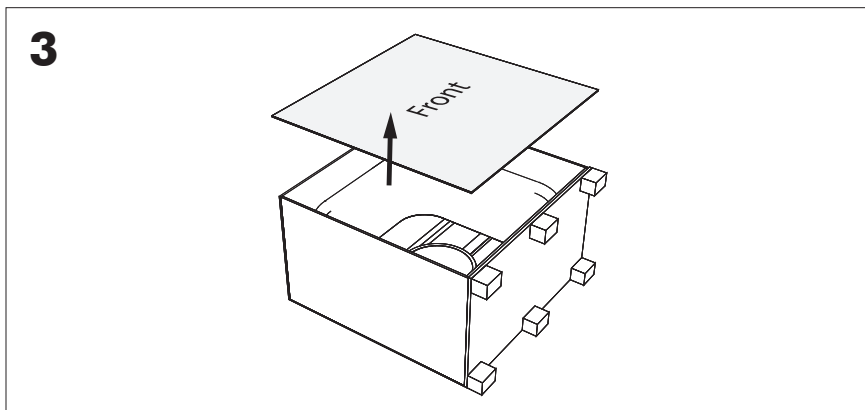
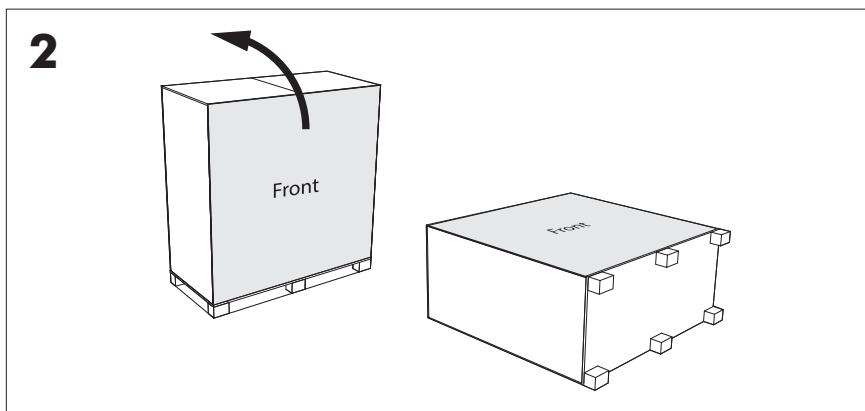
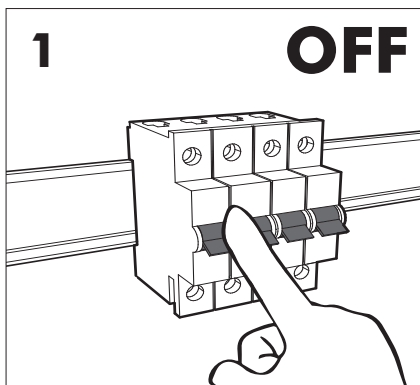




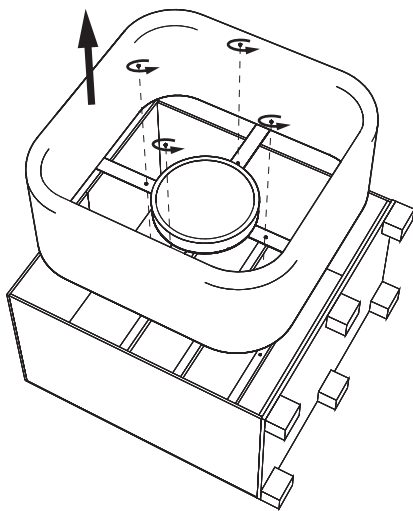
# BuzziJet Square Ceiling Suspended XL



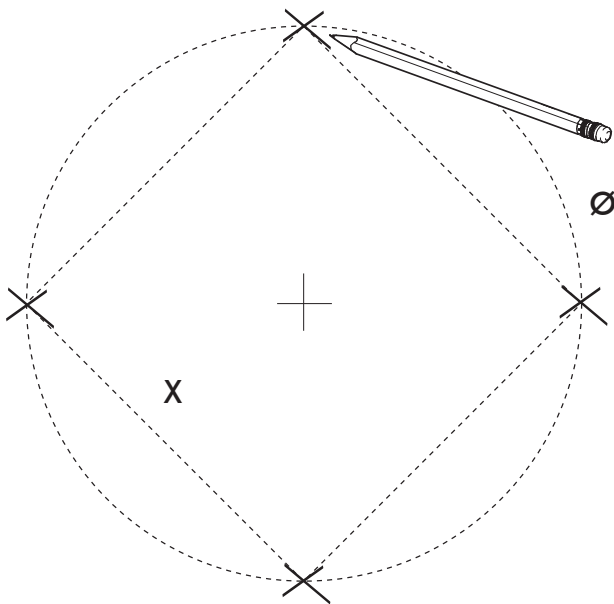
2 PERS. 



4



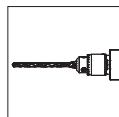
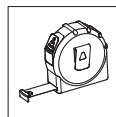
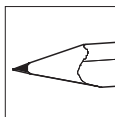
5



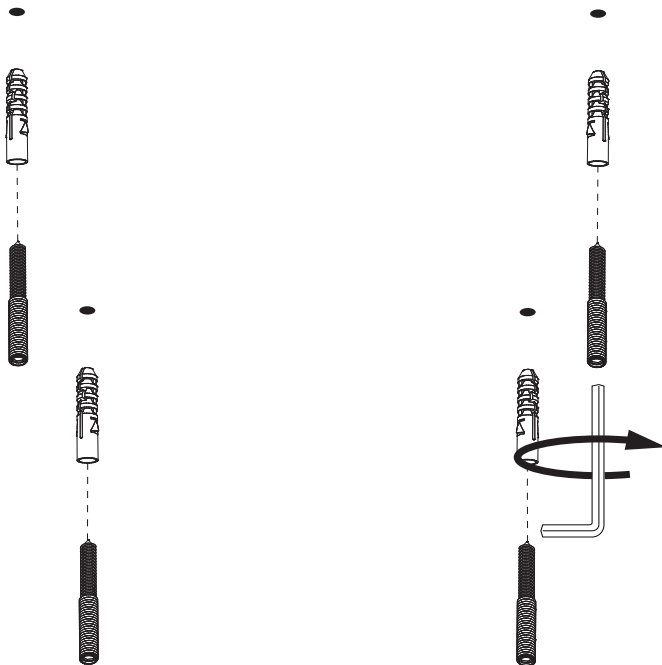
**XL**

X: 42,5 cm

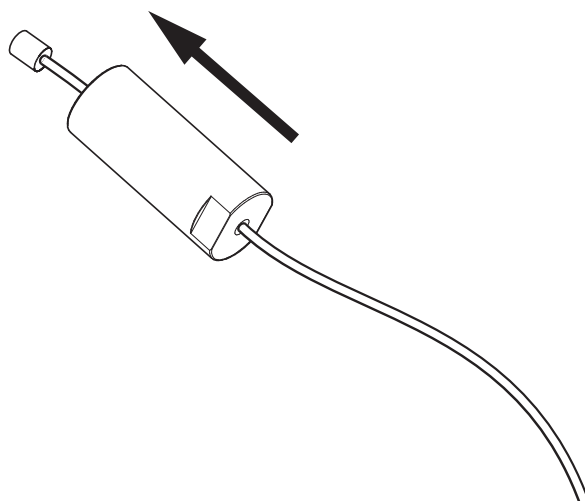
Ø: 60 cm



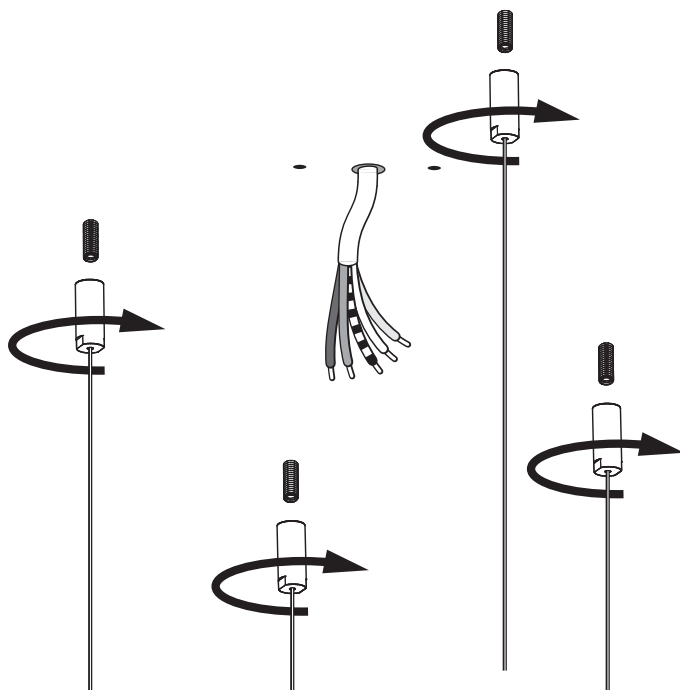
6



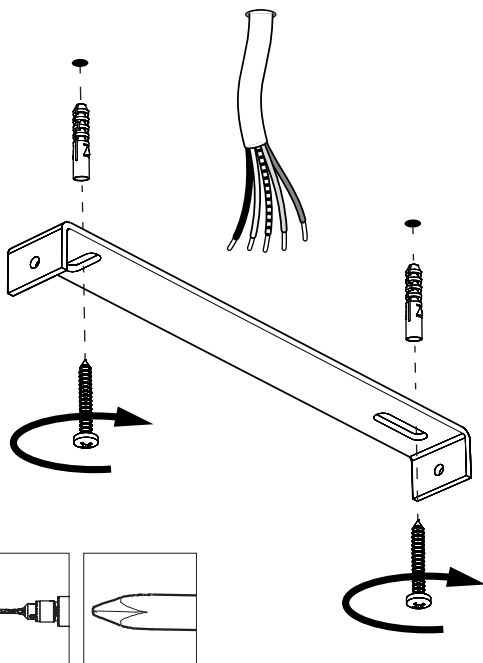
7



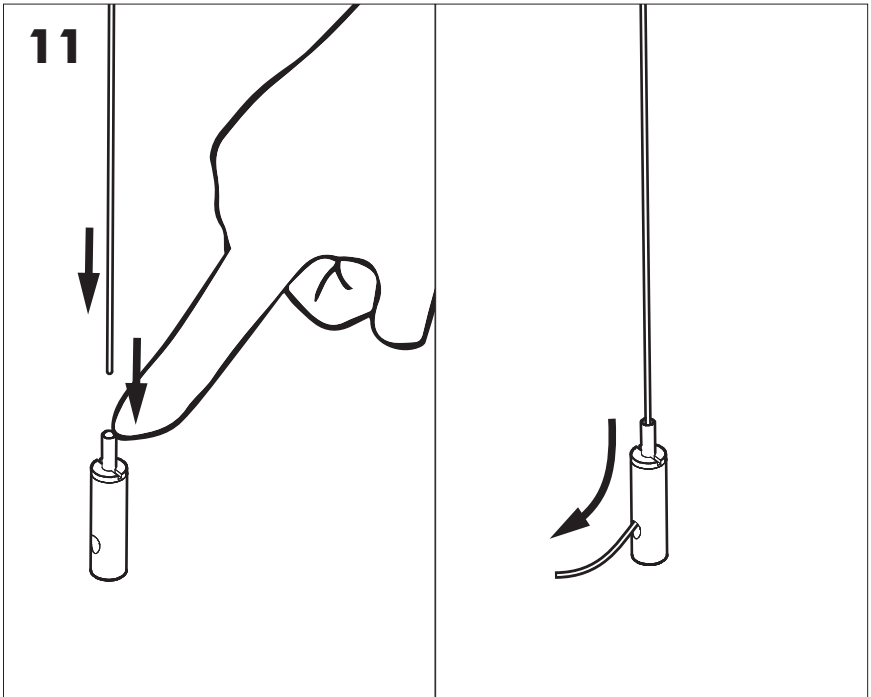
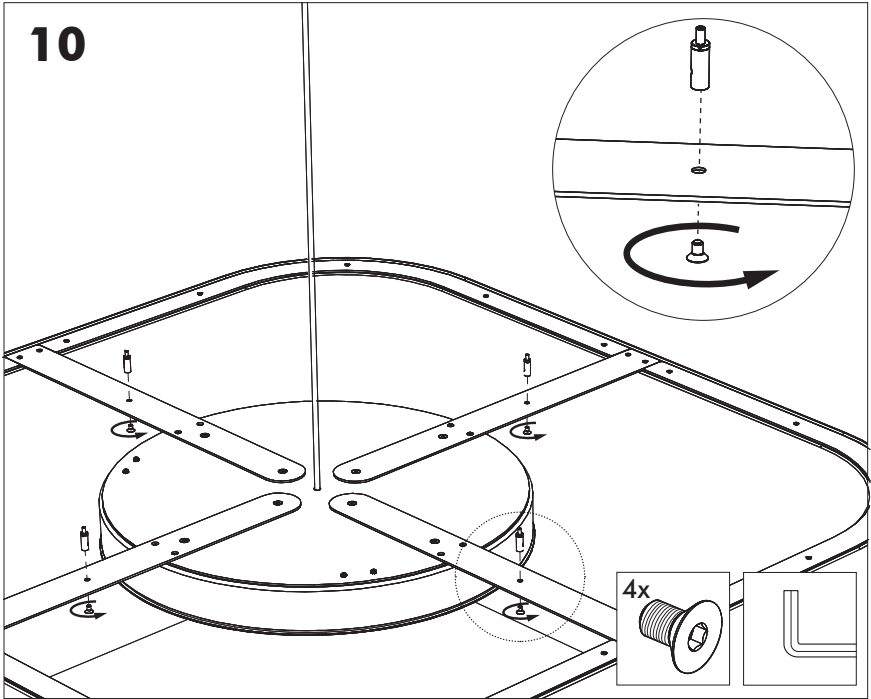
8



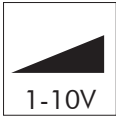
9







# 12a



Connection including dimmable function

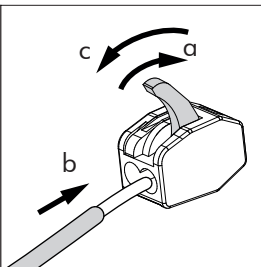


Dim+

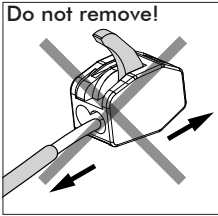
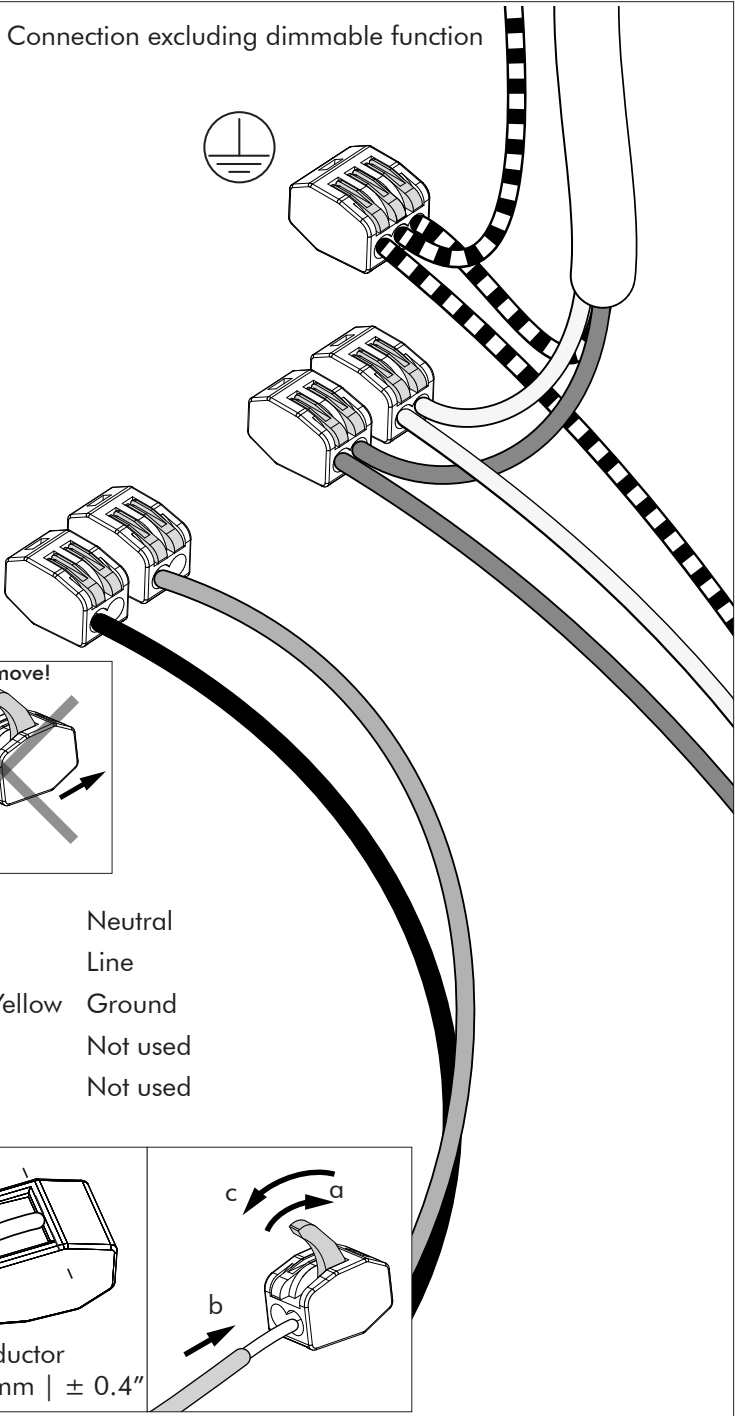
Dim-

- |              |         |
|--------------|---------|
| Blue         | Neutral |
| Brown        | Line    |
| Green/Yellow | Ground  |
| White        | DIM -   |
| Black        | DIM +   |

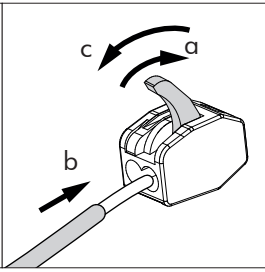
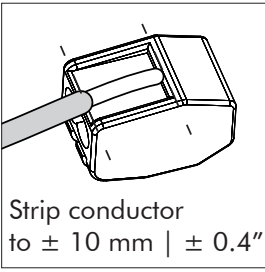
Strip conductor  
to  $\pm 10\text{ mm}$  |  $\pm 0.4''$



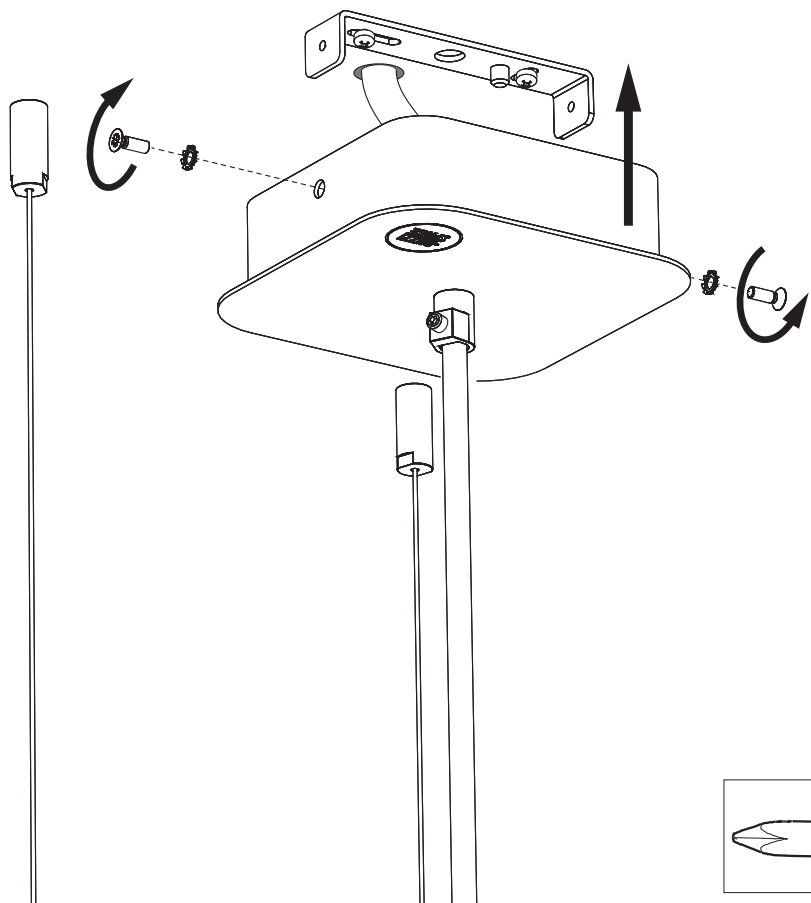
# 12b Connection excluding dimmable function

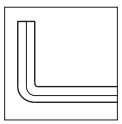
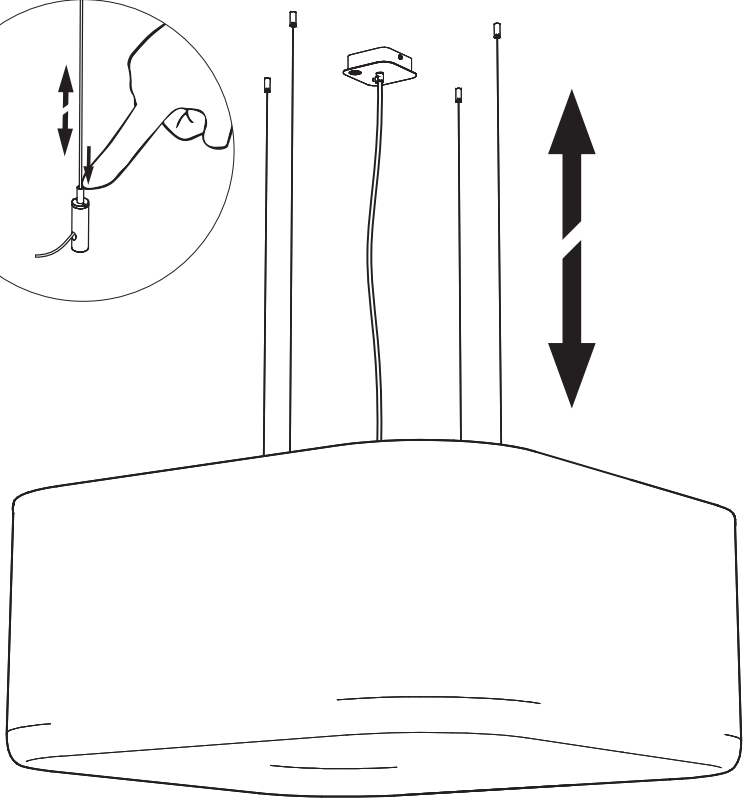
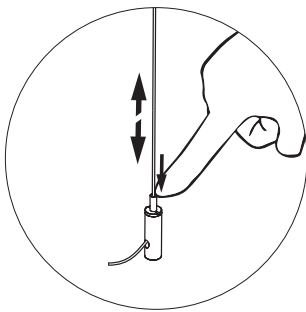
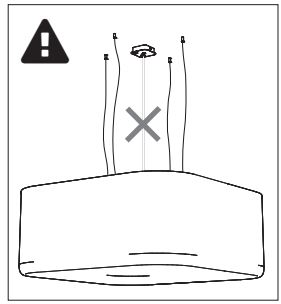
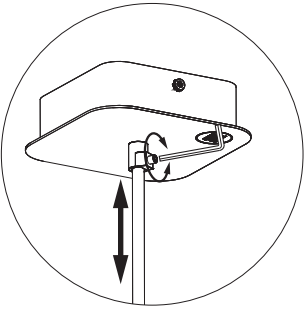


Blue	Neutral
Brown	Line
Green/Yellow	Ground
White	Not used
Black	Not used

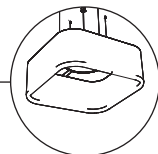


13

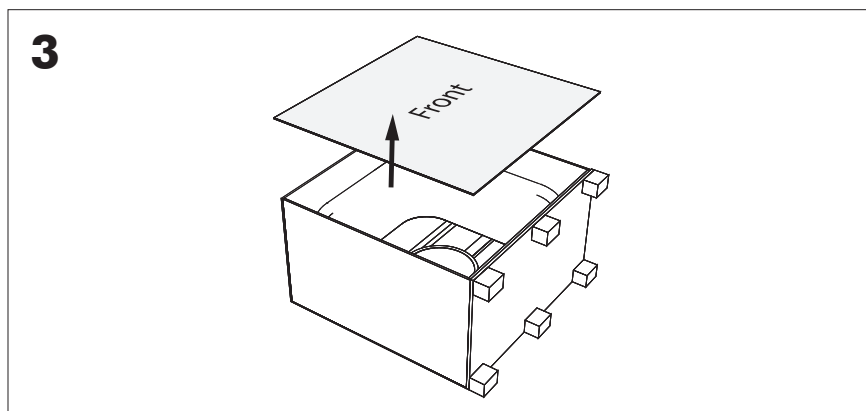
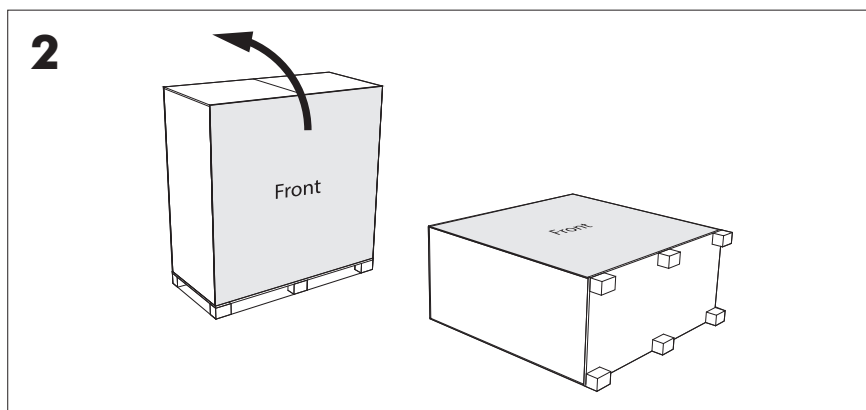
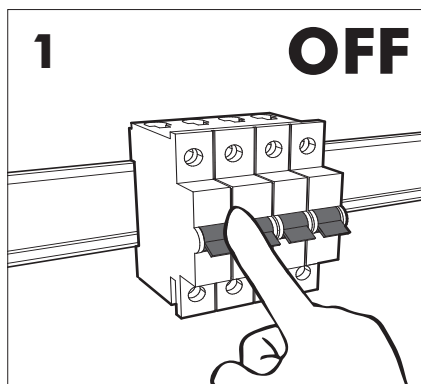




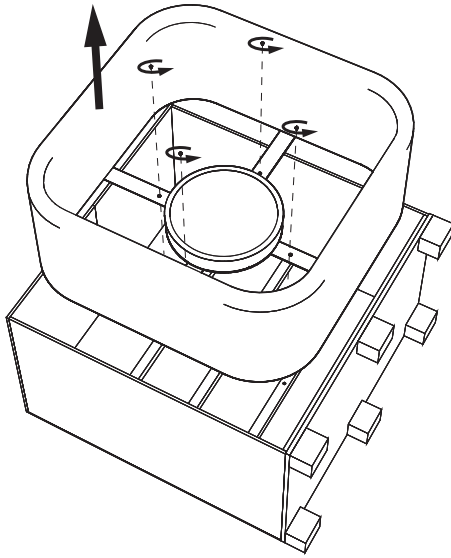
# BuzziJet Square Ceiling Suspended XXL



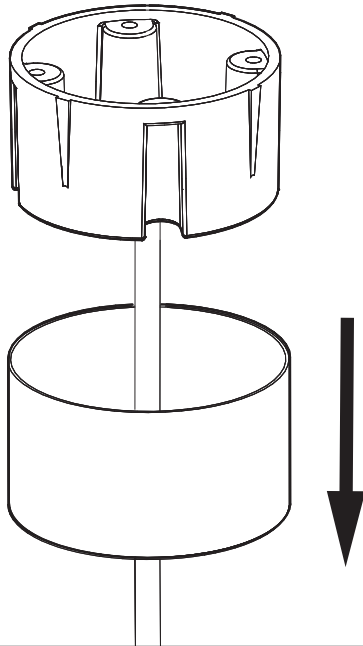
2 PERS. 



**4**

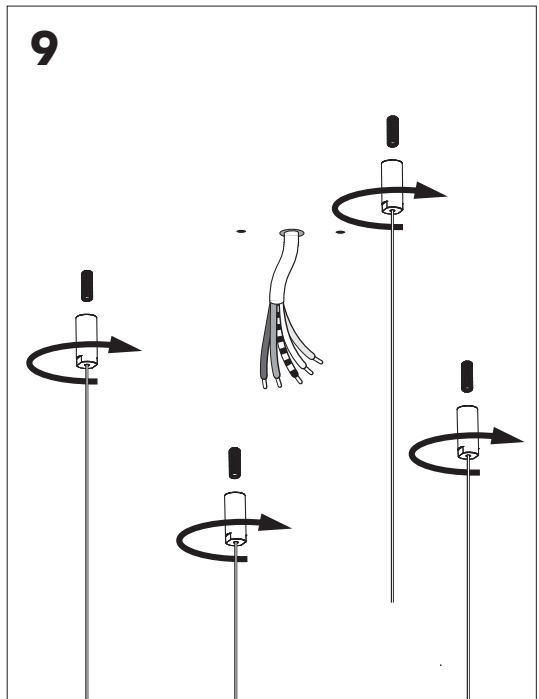
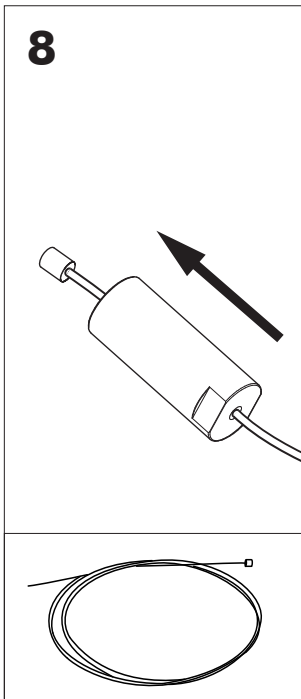
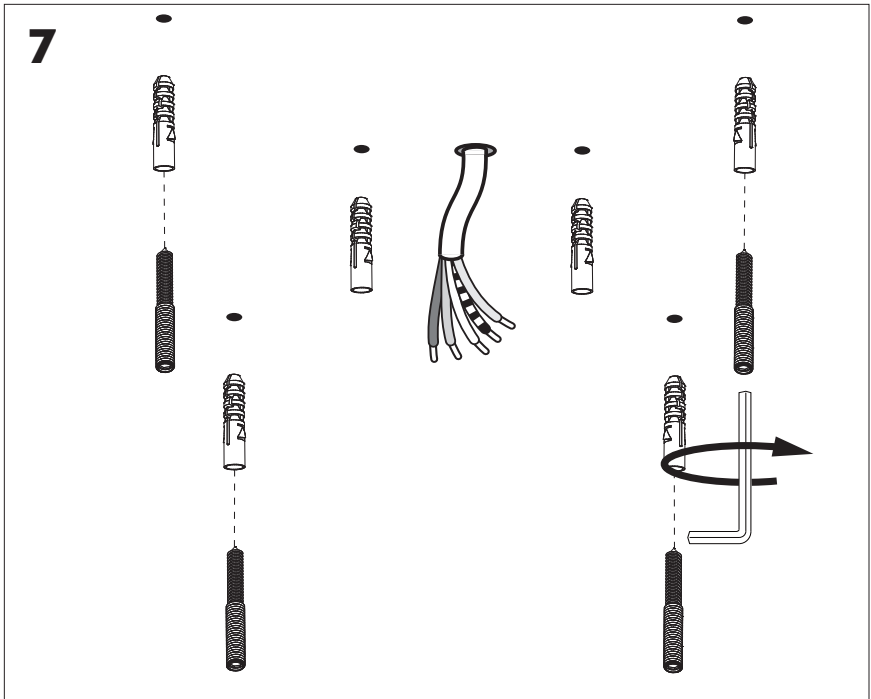


**5**

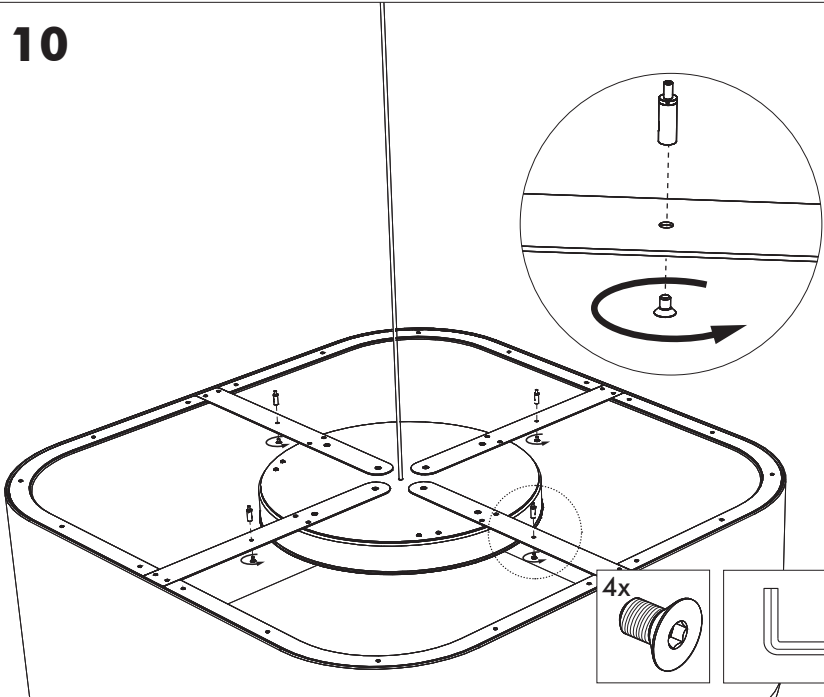




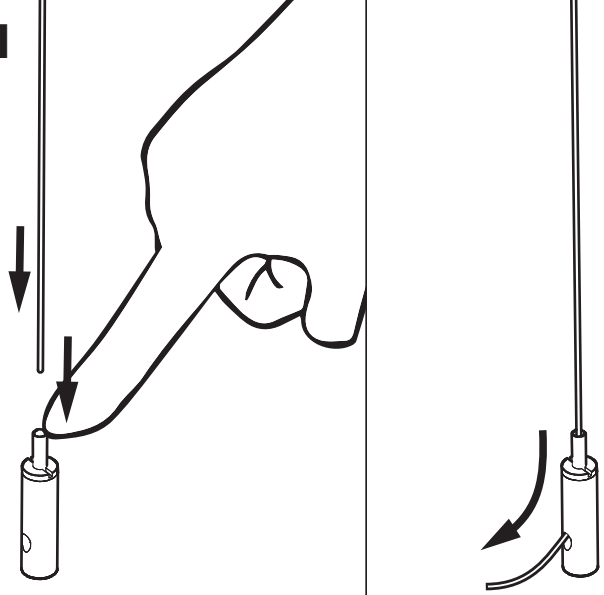




10



11



# 12a



1-10V

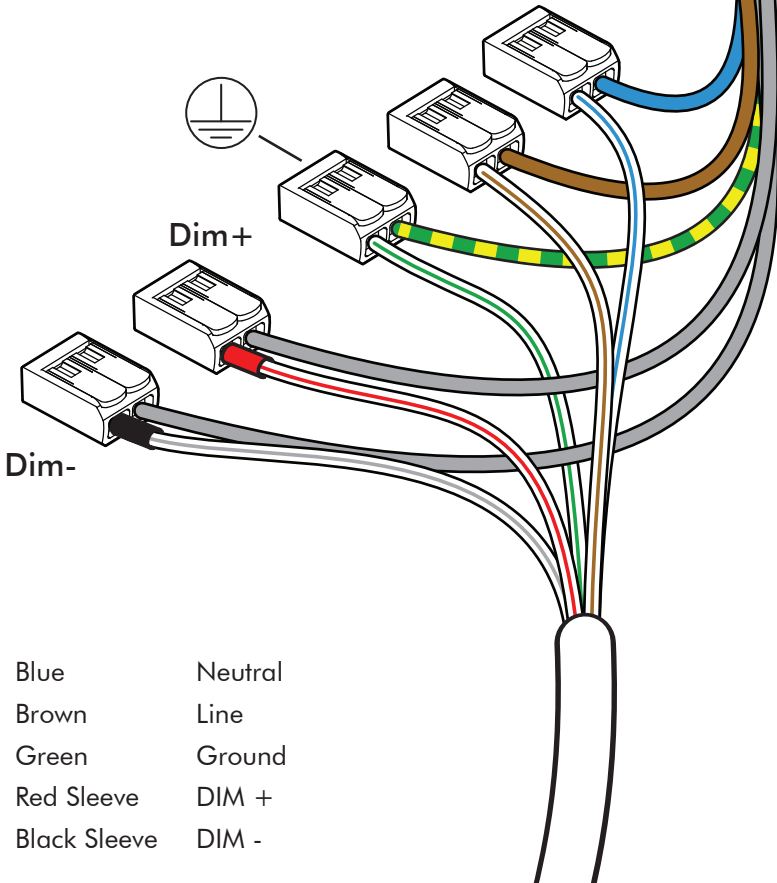


DMX



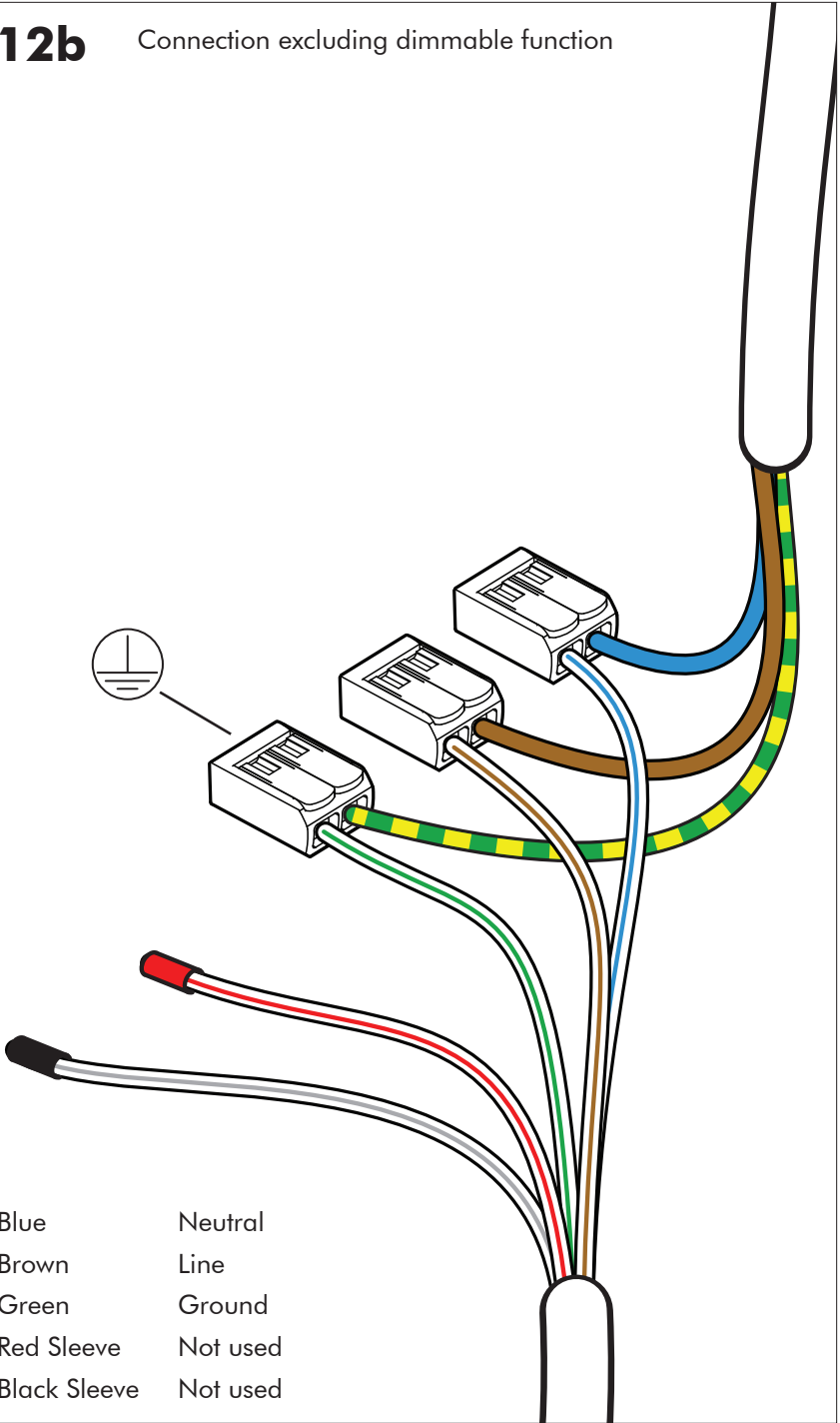
DST

Connection including dimmable function

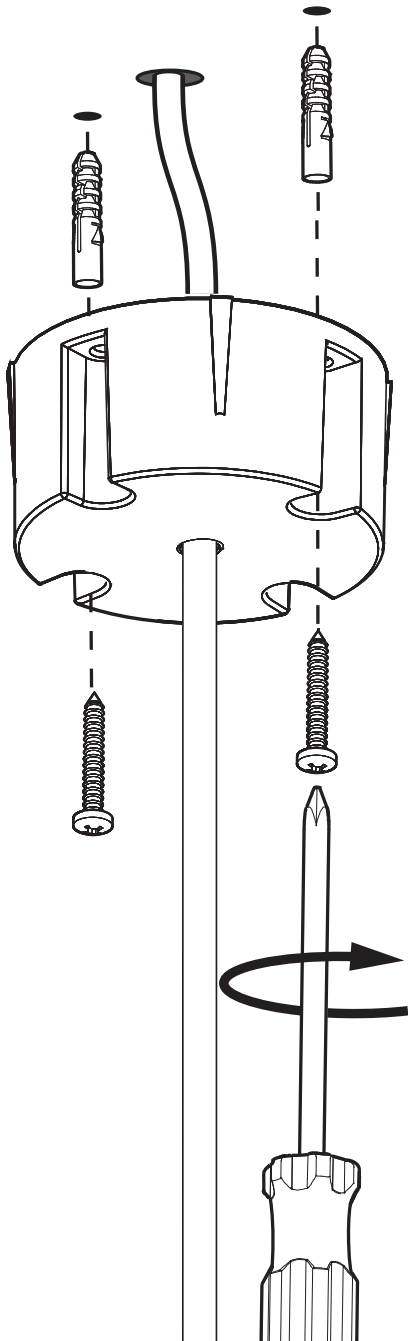


# 12b

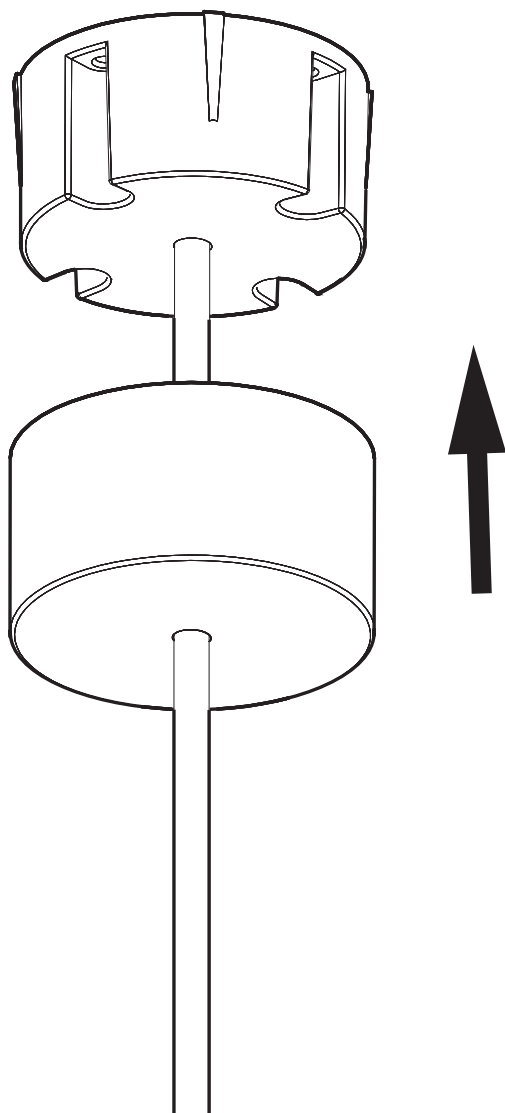
Connection excluding dimmable function

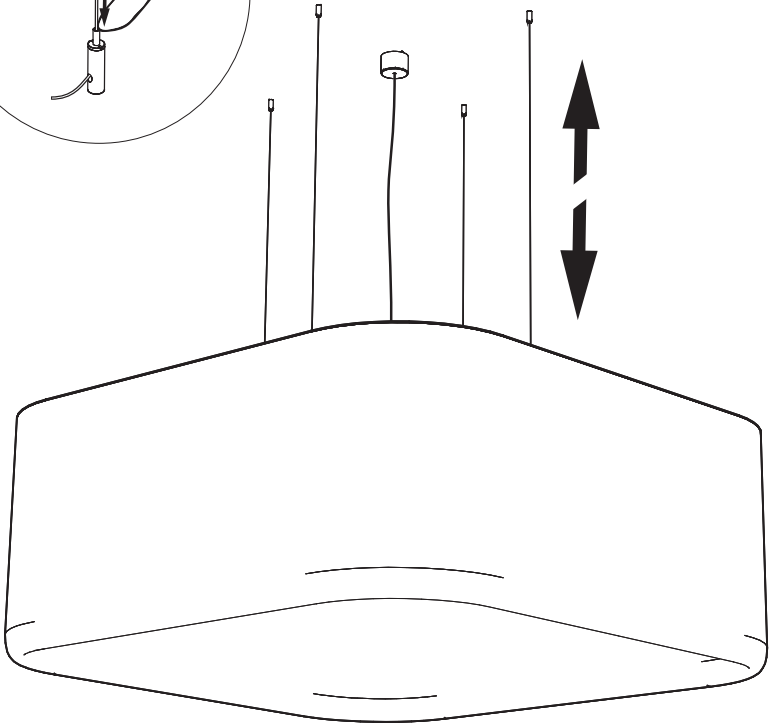
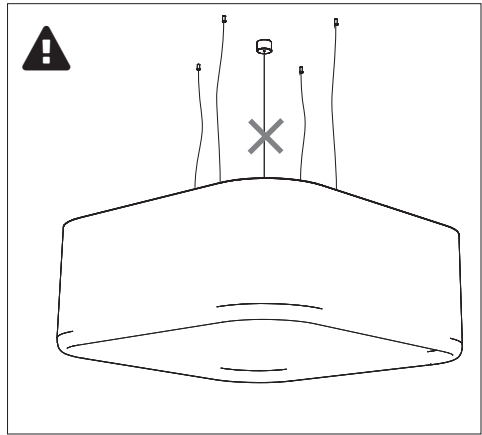
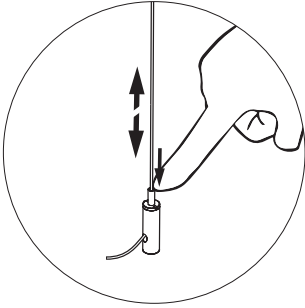
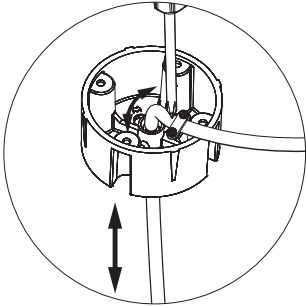


13



14



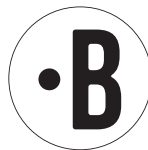


BuzziSpace Group NV  
Italiëlei 8, 2000 Antwerp  
Belgium

☎ +32 (0)3 846 10 00

✉ [info@buzzi.space](mailto:info@buzzi.space)

🌐 [www.buzzi.space](http://www.buzzi.space)



A-0000007884/01  
Last update: 30/11/2023