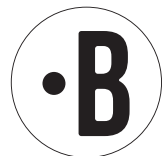
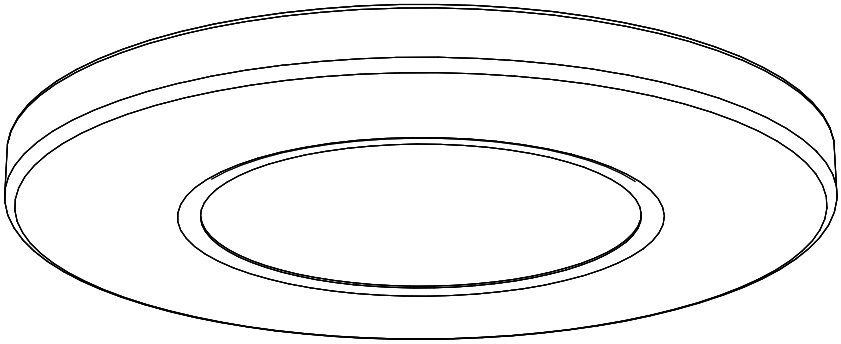


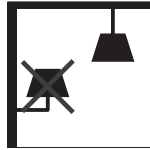
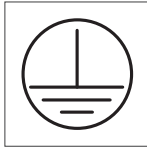
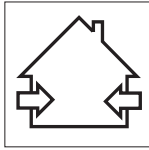
BuzziMoon Ceiling Mounted

INSTALLATION MANUAL

110V-120V



Technical info

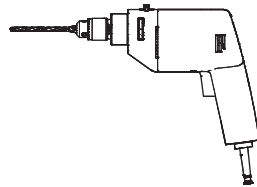
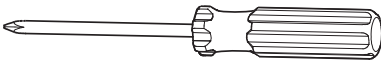


OR

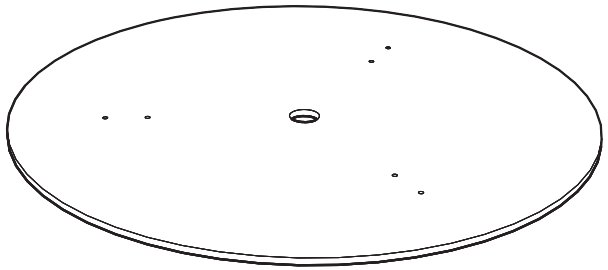
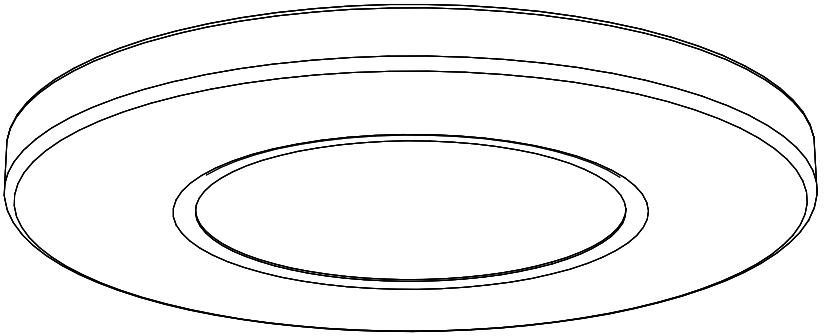


⚠ The light source of this luminaire is not replaceable; when the light source reaches its end of life the whole luminaire shall be replaced.

Excluded

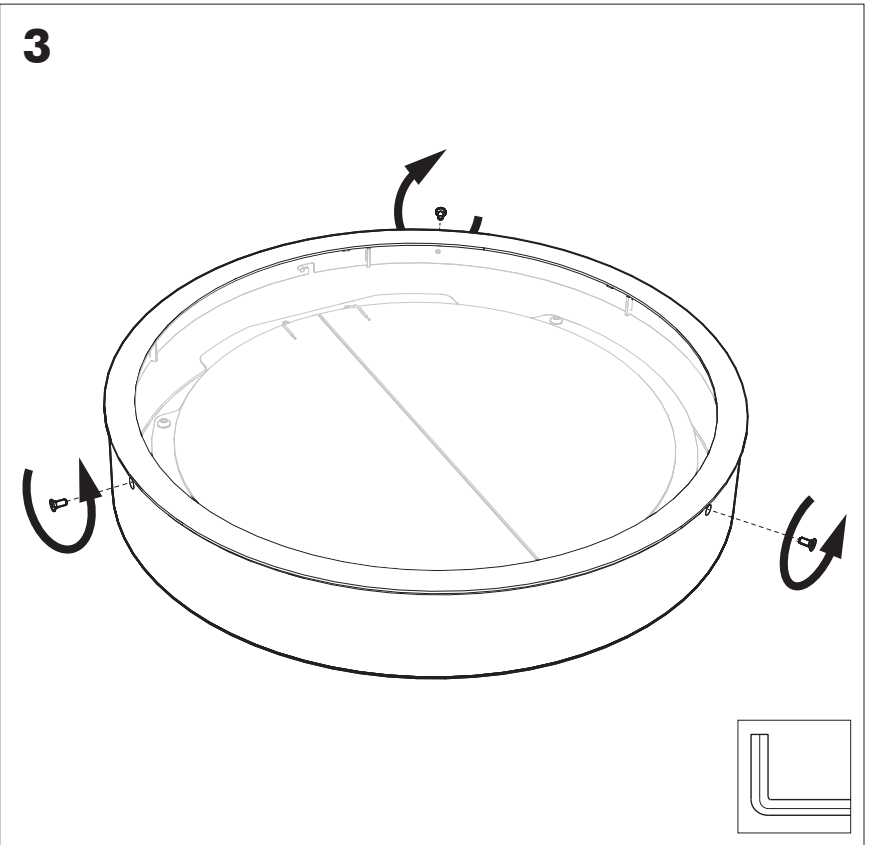
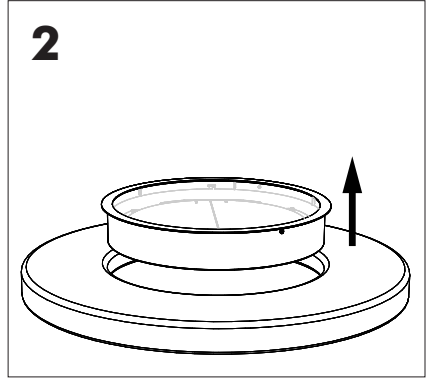
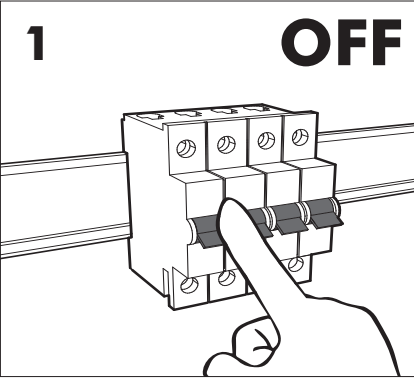
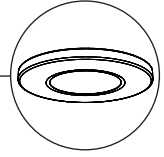


Included BuzziMoon Ceiling Mounted

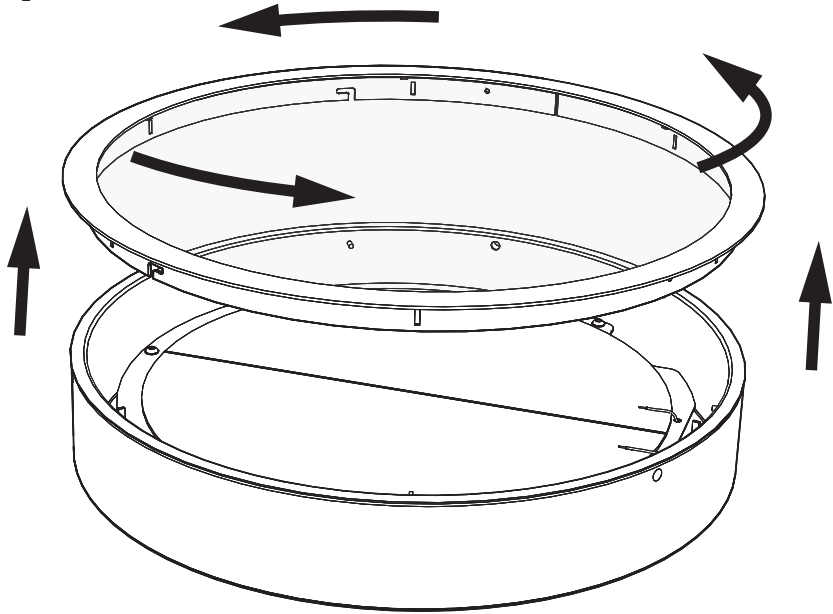


BuzziMoon Ceiling Mounted

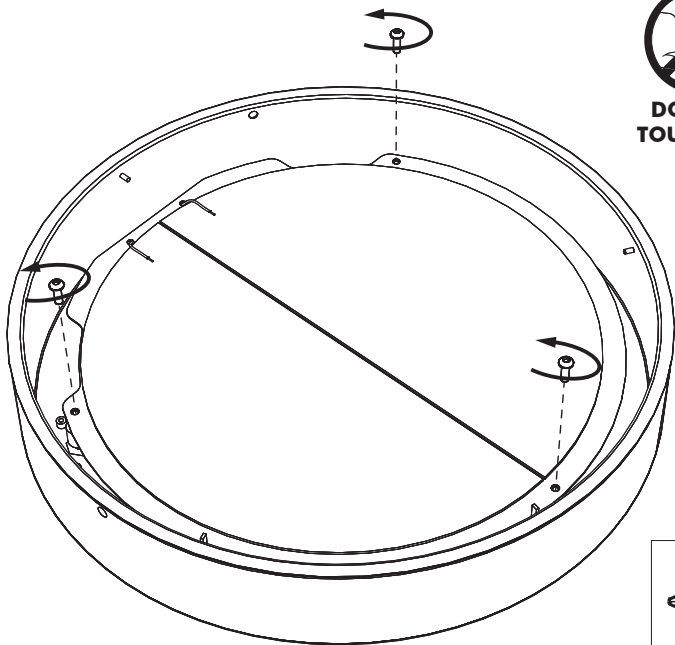
1 PERS. 



4

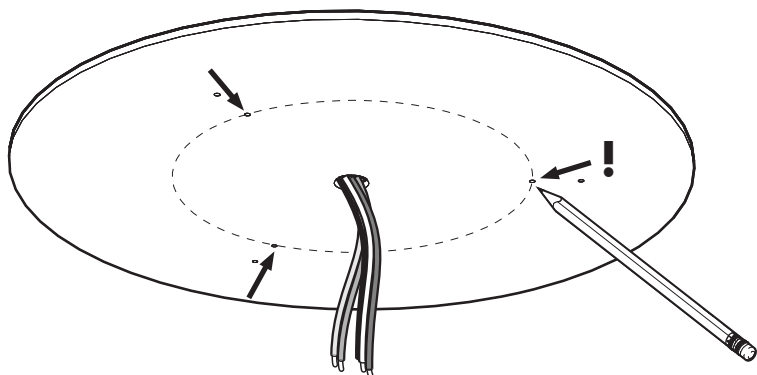


5

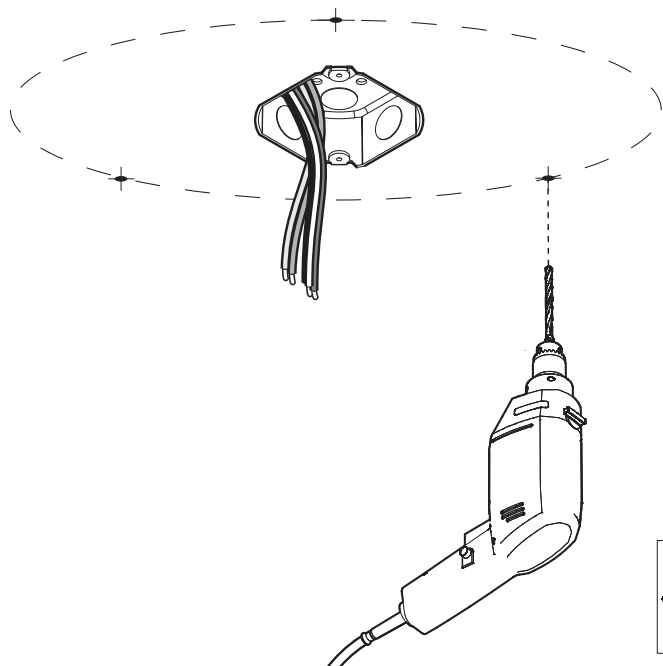



**DO NOT
TOUCH LED**

6

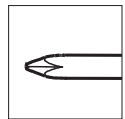
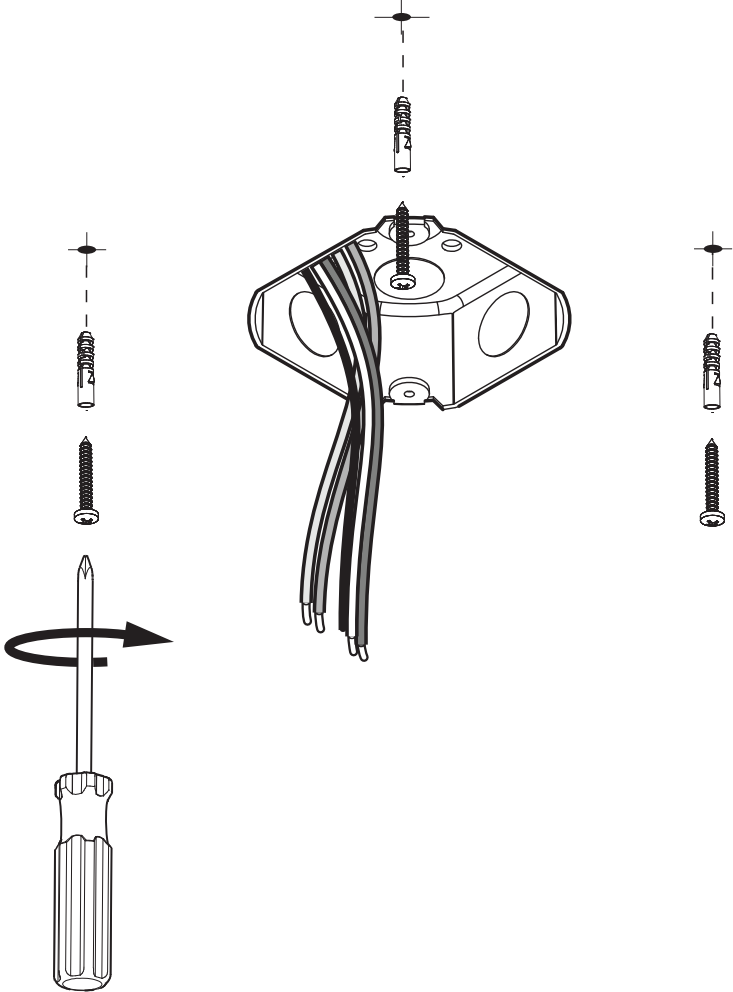


7

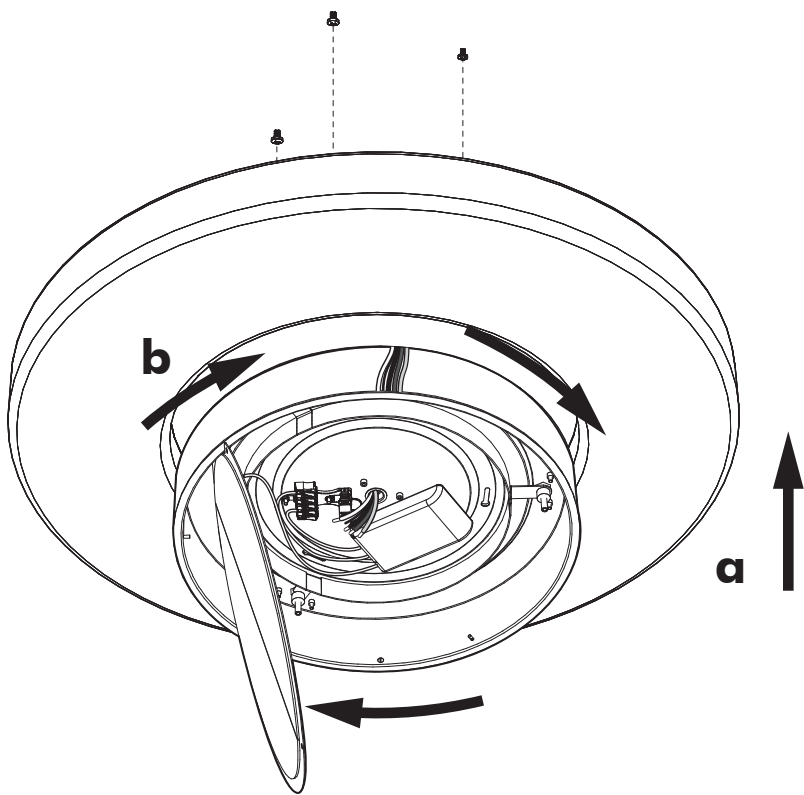
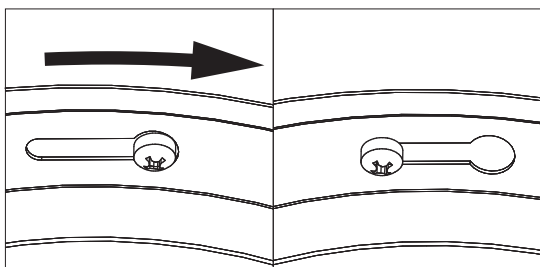


8

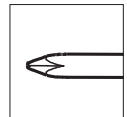
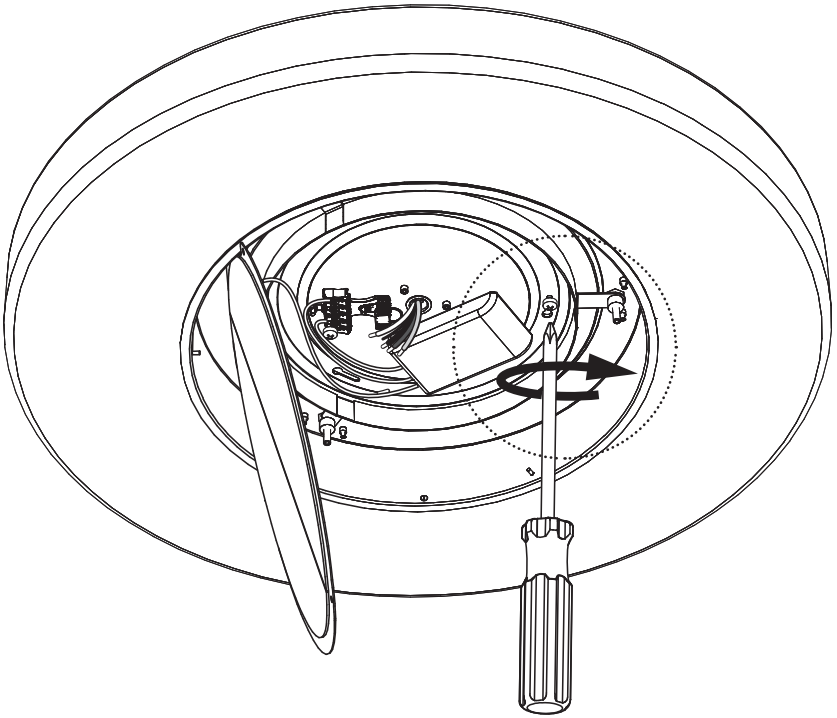
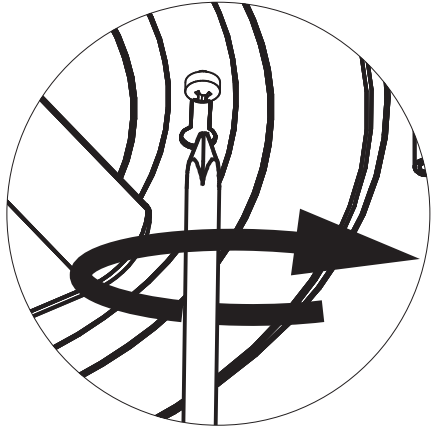
$\pm 0.5\text{cm}$
 $\pm 0.20''$
Max. $\varnothing 0,9\text{ cm}$
 $\varnothing 0.35''$



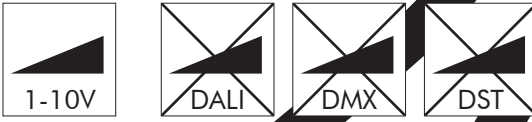
9



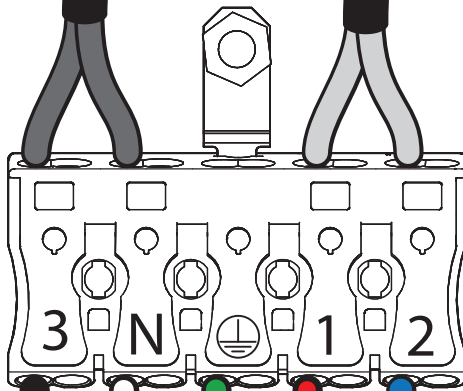
10



11a

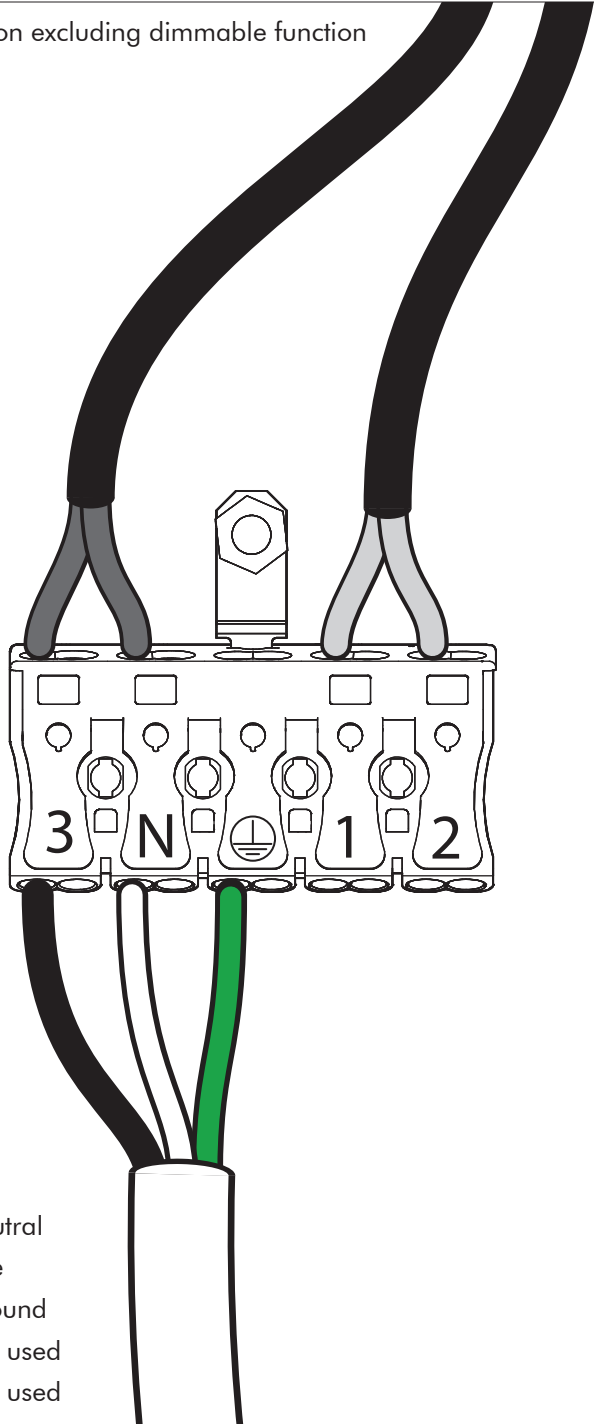


Connection including dimmable function



- N Neutral
- 3 Line
- 0 Ground
- 1 1 DIM +
- 2 2 DIM -

11b Connection excluding dimmable function

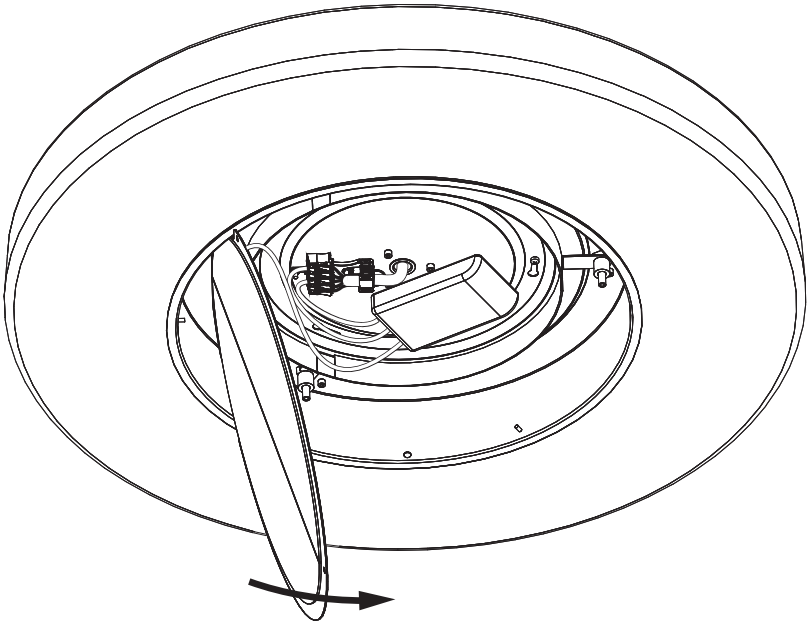


- N Neutral
- 3 Line
- 0 Ground
- 1 Not used
- 2 Not used

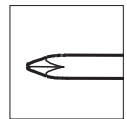
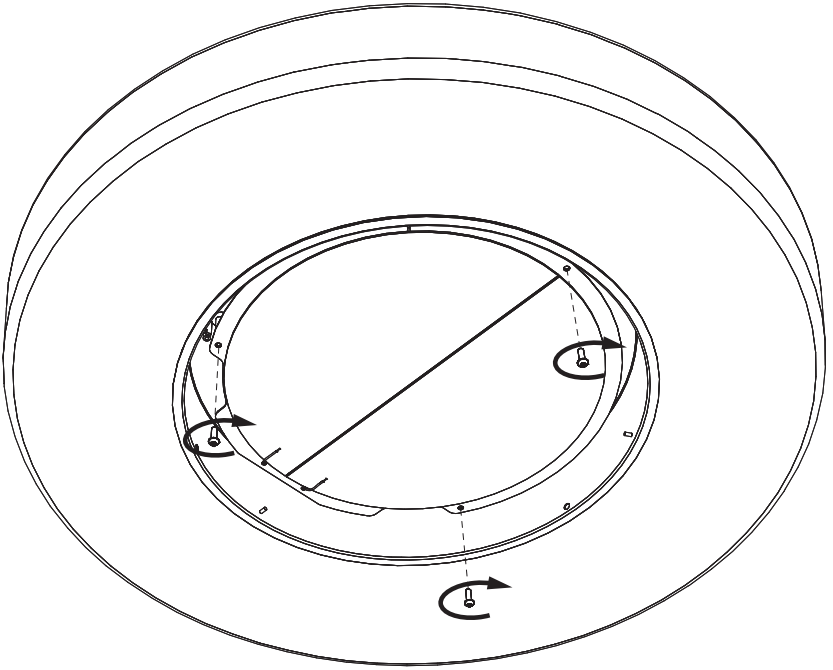
12



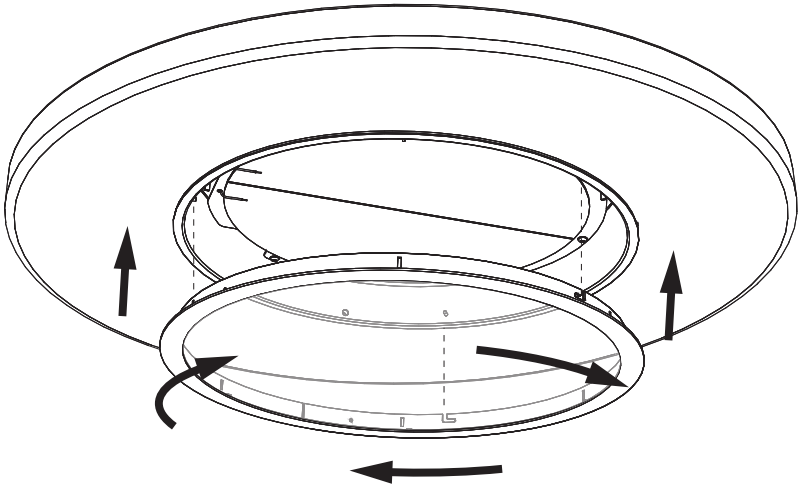
**DO NOT
TOUCH LED**



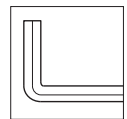
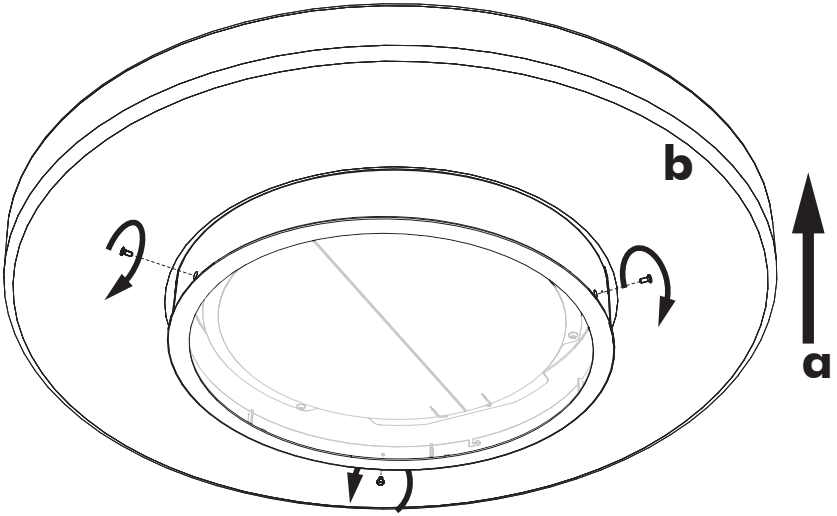
13



14



15

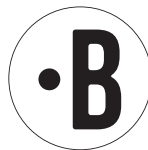


BuzziSpace Group NV
Italiëlei 8, 2000 Antwerp
Belgium

☎ +32 (0)3 846 10 00

✉ info@buzzi.space

🌐 www.buzzi.space



A-000007551/01

Last update: 30/11/2023