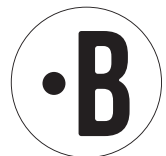
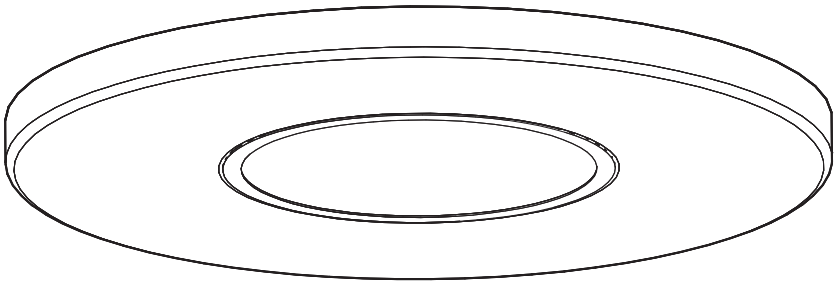
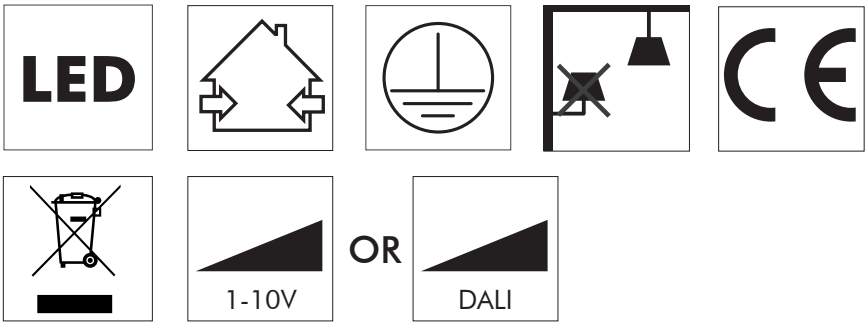


BuzziMoon Round Ceiling Mounted

INSTALLATION MANUAL
220-240V



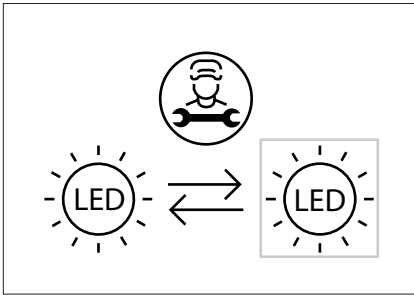
Technical info



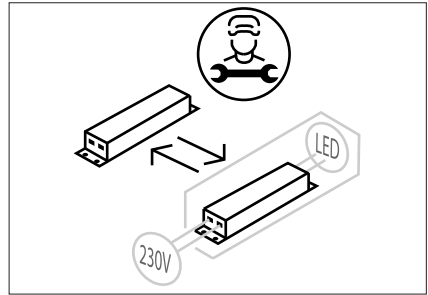
Environmental Protection

Waste electrical products should not be disposed of with household waste. Please recycle where facilities exist. Check with your Local Authority or retailer for recycling advice.

If the external flexible cable or cord of this luminaire is damaged, it shall be exclusively replaced by the manufacturer or his service agent or a similar qualified person in order to avoid a hazard.

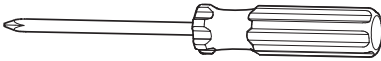


Replaceable (LED only) light source by a professional.



Replaceable control gear by a professional

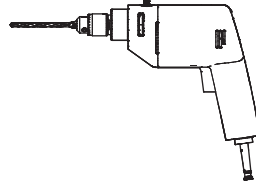
Excluded



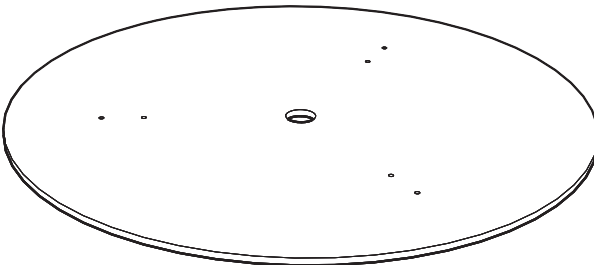
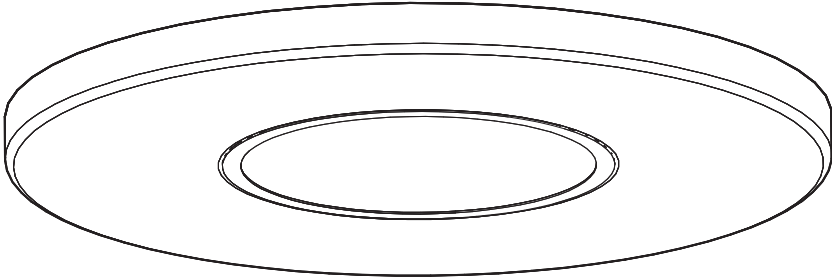
3x



3x

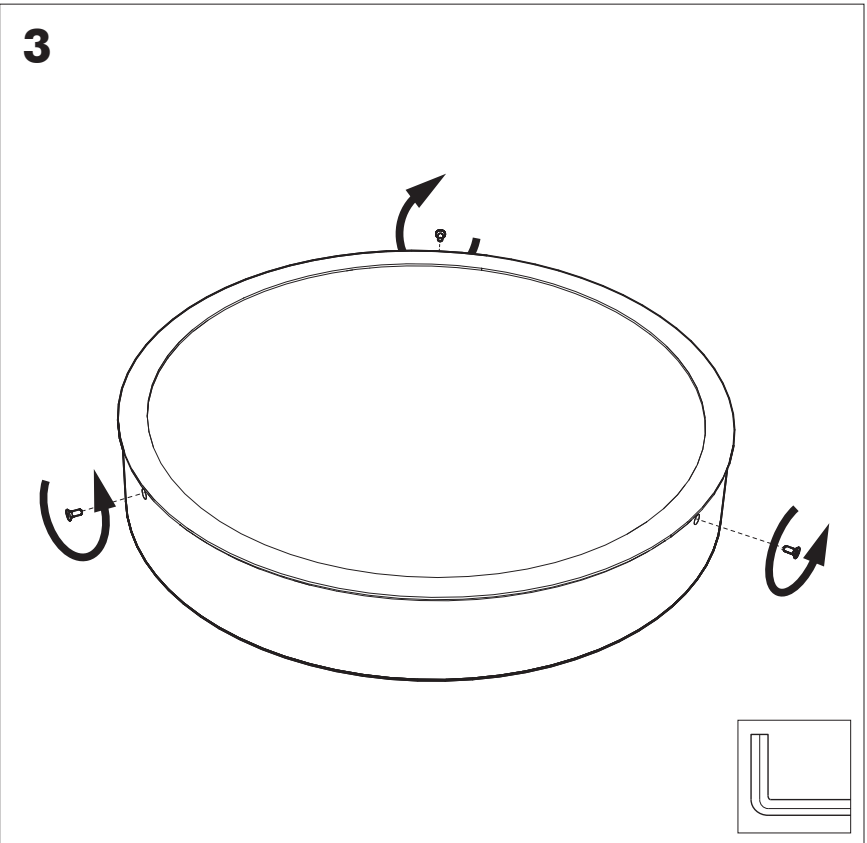
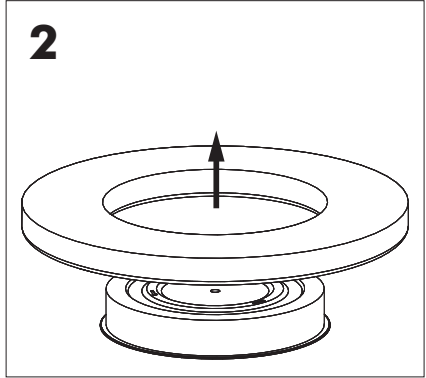
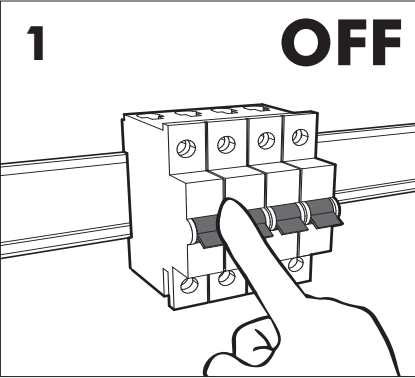
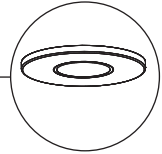


Included BuzziMoon Round Ceiling Mounted

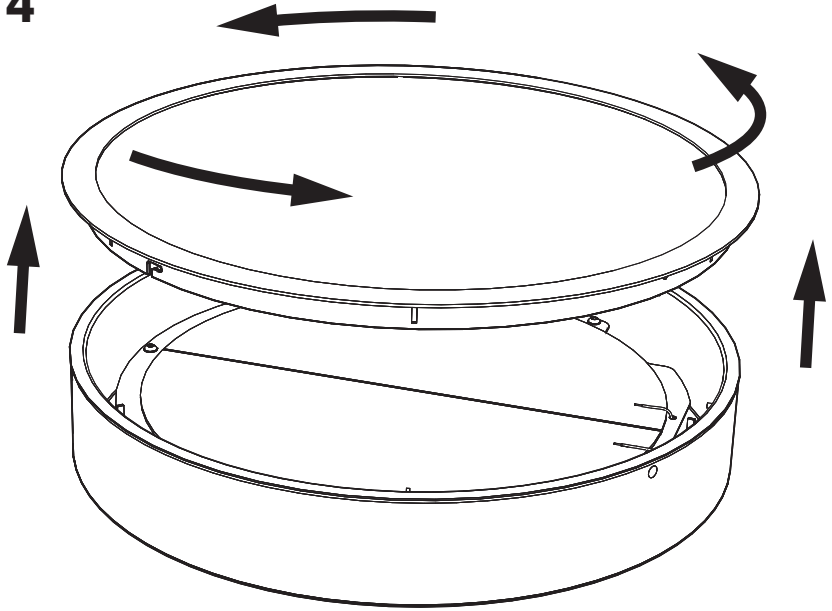


BuzziMoon Round Ceiling Mounted

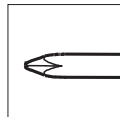
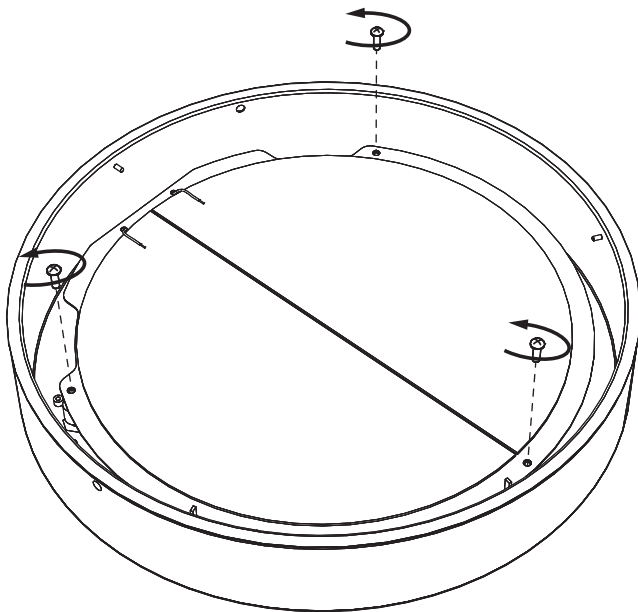
1 PERS. 



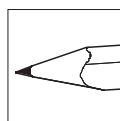
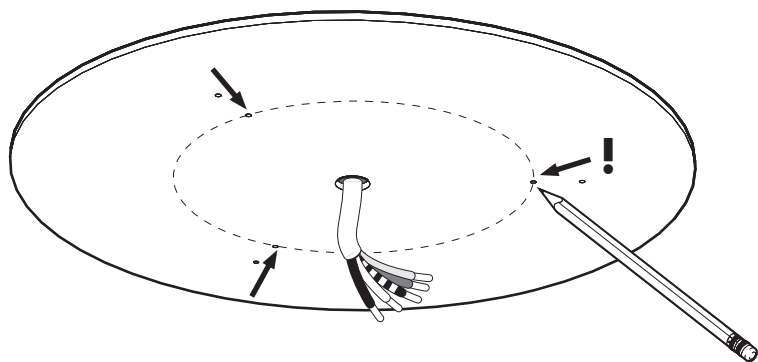
4



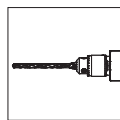
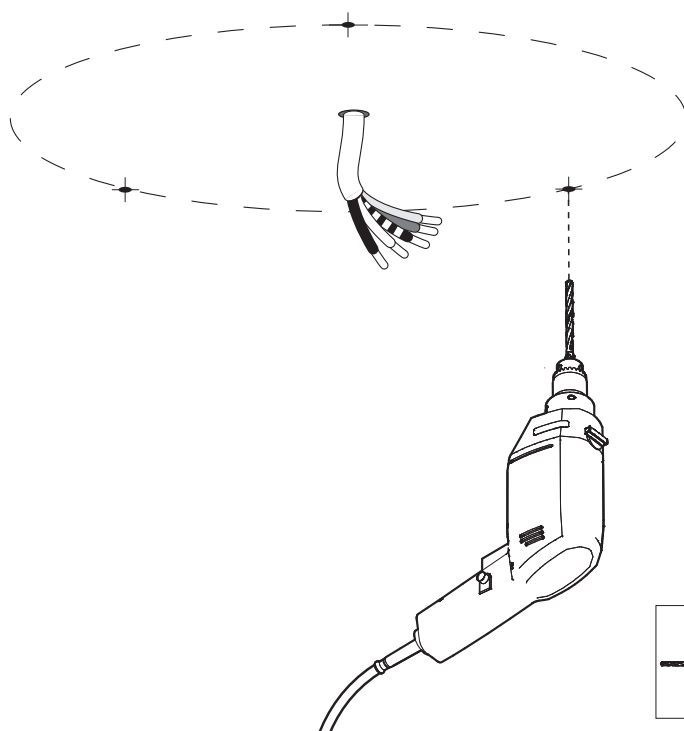
5



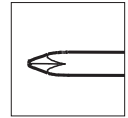
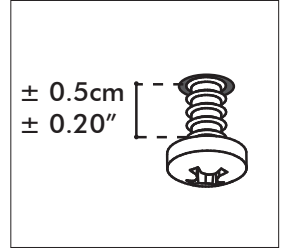
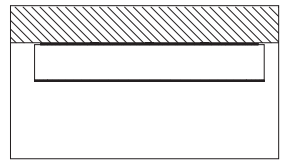
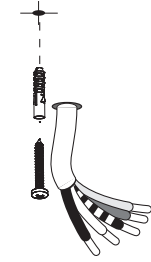
6



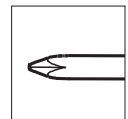
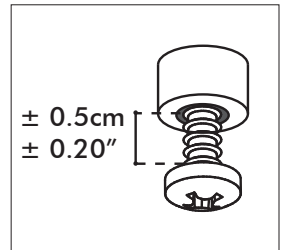
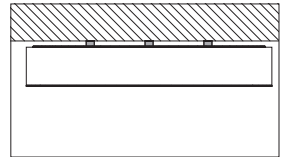
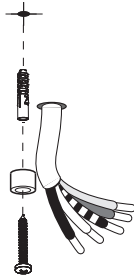
7



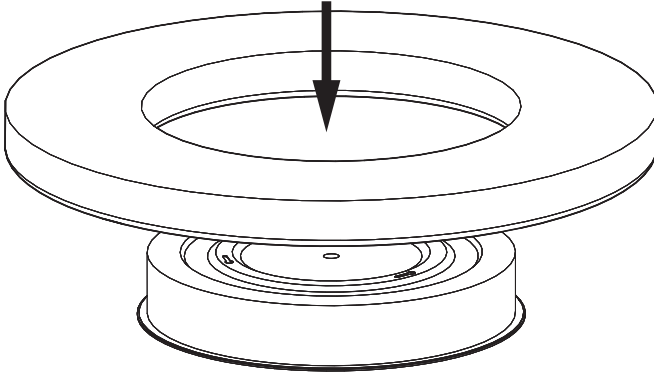
8a



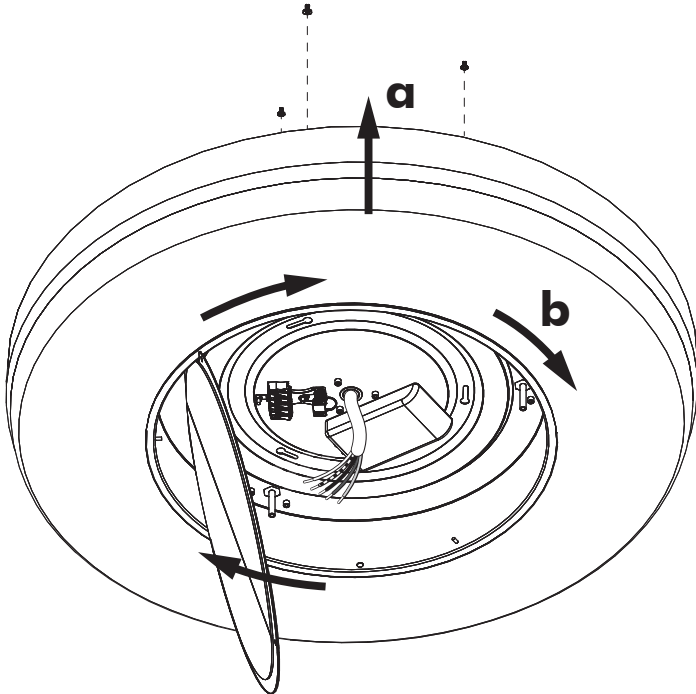
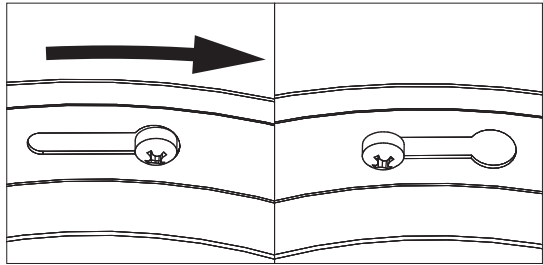
8b



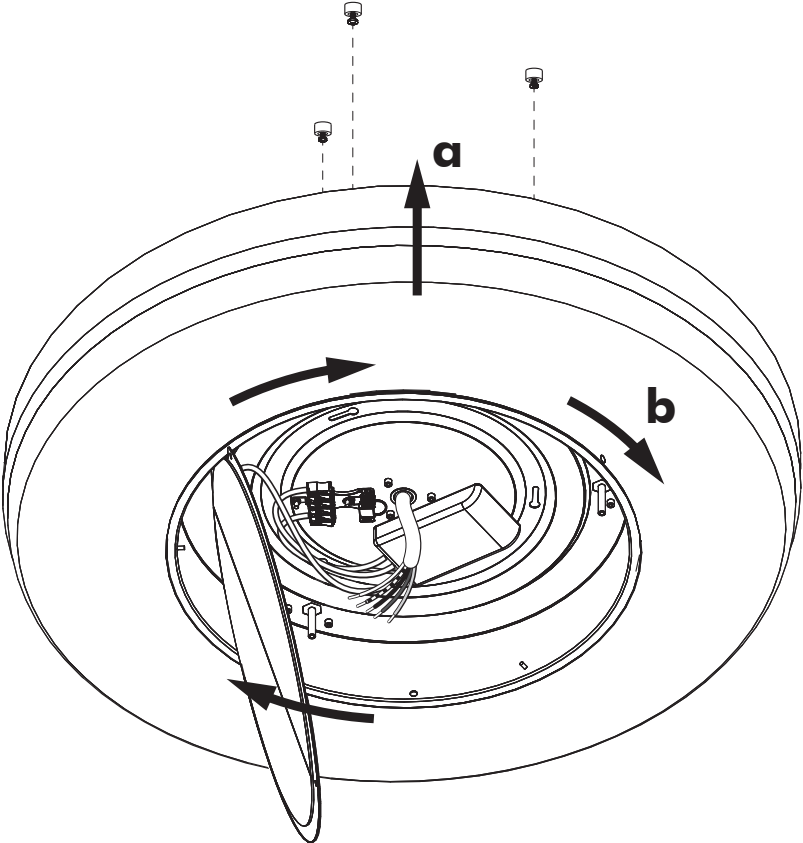
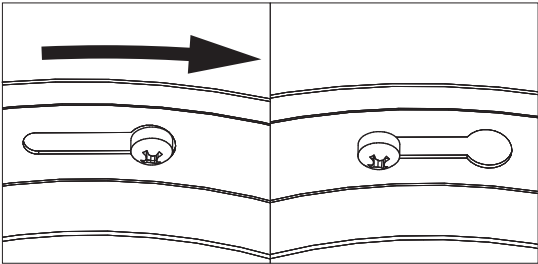
9



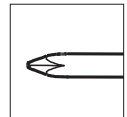
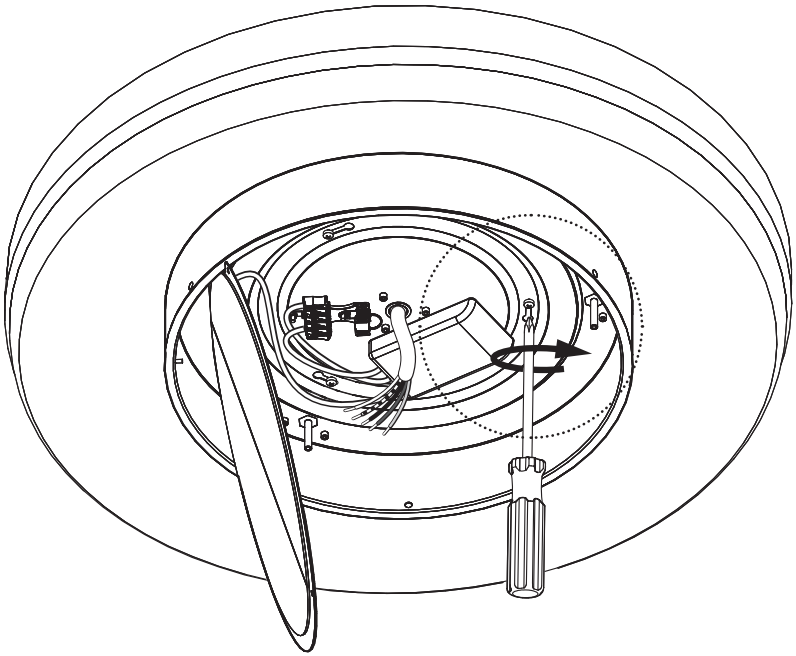
10a



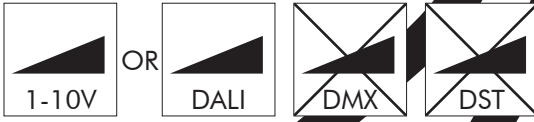
10b



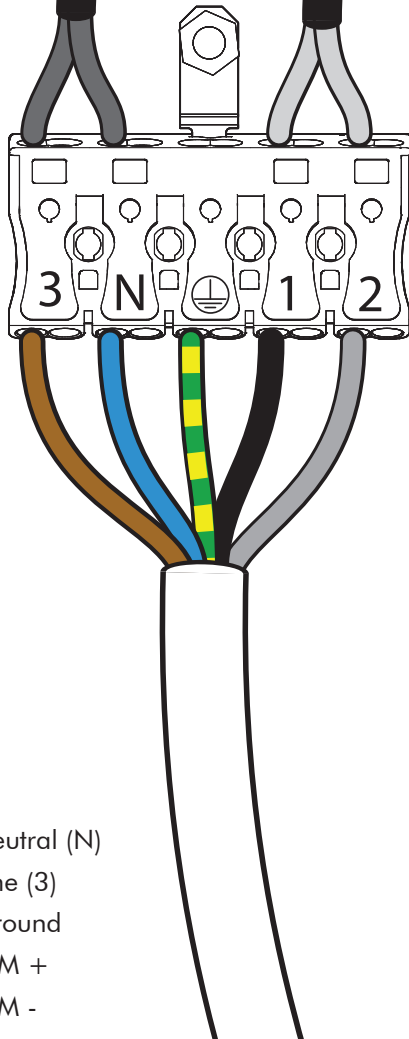
11



12a

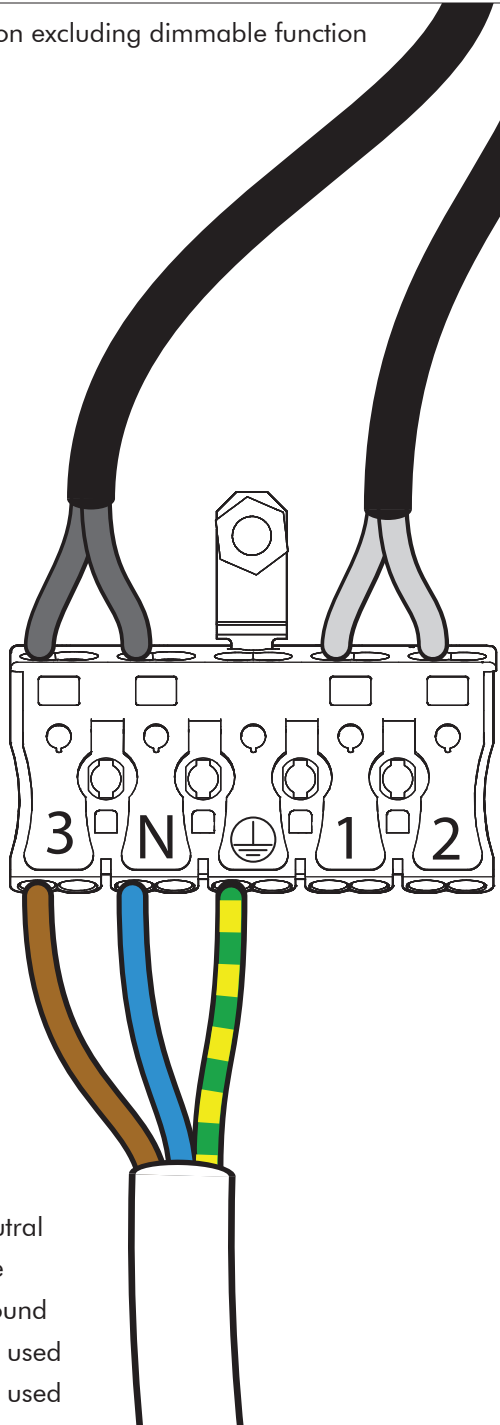


Connection including dimmable function



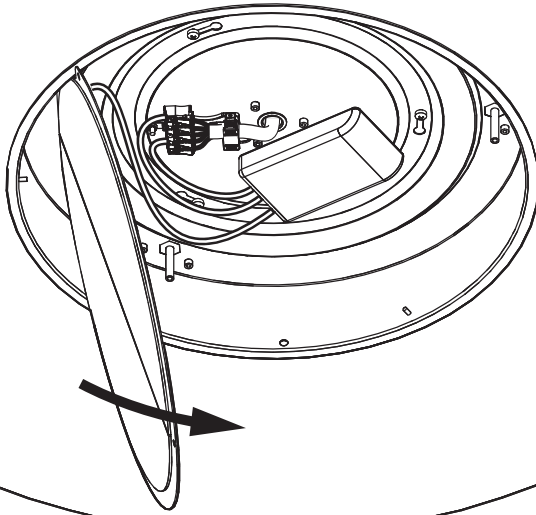
- | | |
|-------|-------------|
| Blue | Neutral (N) |
| Brown | Line (3) |
| Green | Ground |
| Black | DIM + |
| Grey | DIM - |

12b Connection excluding dimmable function



- | | |
|-------|----------|
| Blue | Neutral |
| Brown | Line |
| Green | Ground |
| 1 | Not used |
| 2 | Not used |

13

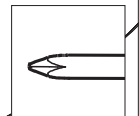
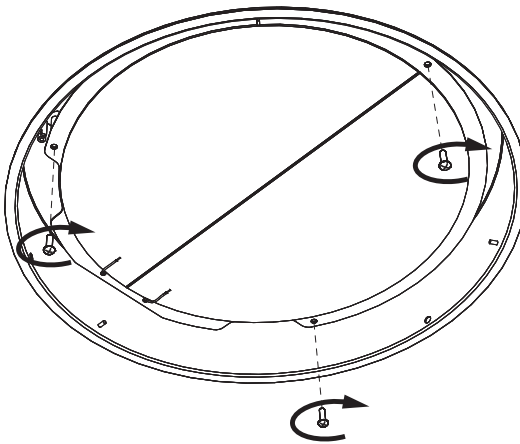


**DO NOT
TOUCH LED**

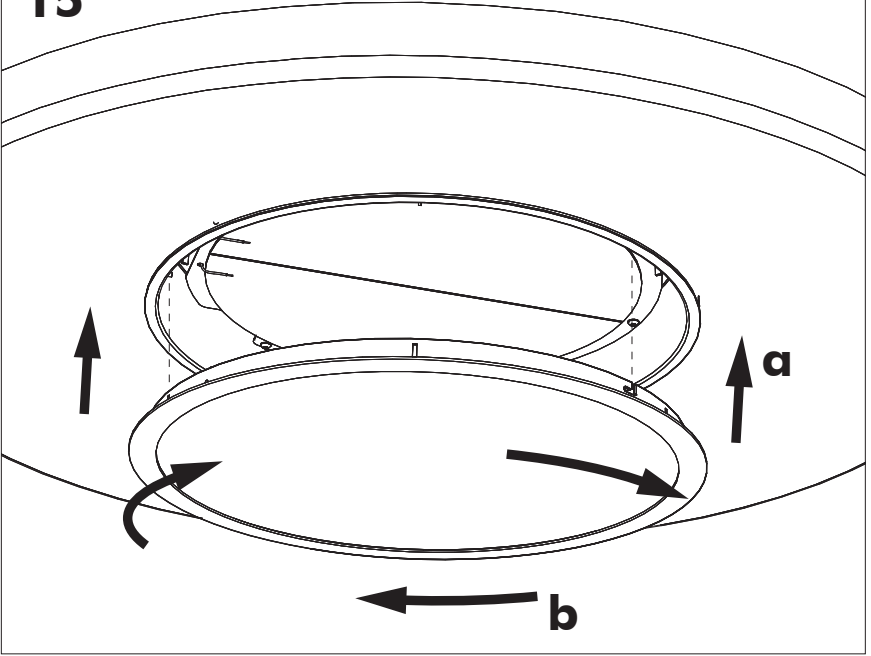
! Make sure wires are not pinched in-between during this step !

! Assurez-vous que les fils ne sont pas pincés pendant cette étape !

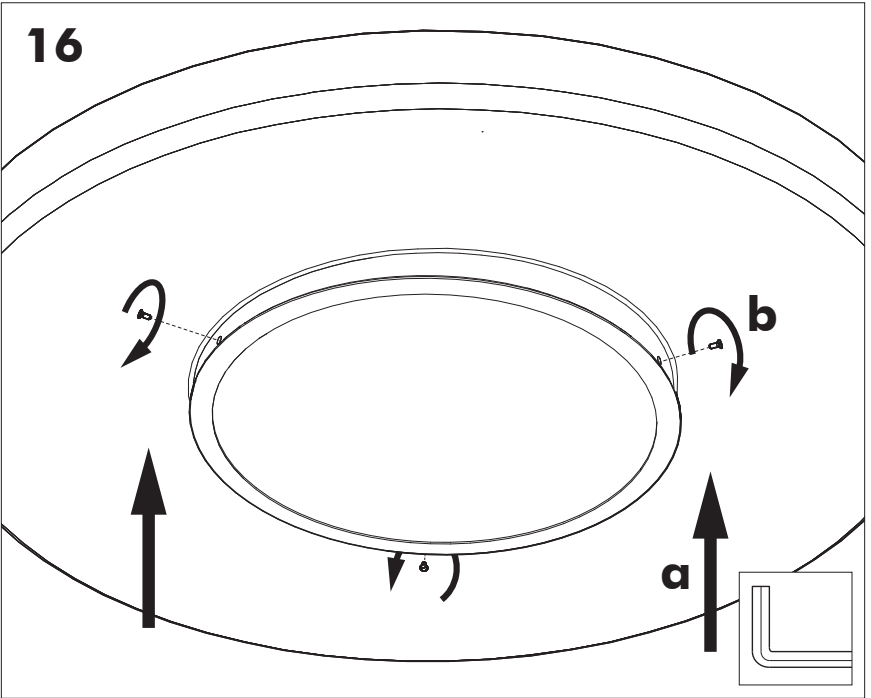
14



15



16



BuzziSpace Group NV
Italiëlei 8, 2000 Antwerp
Belgium

☎ +32 (0)3 846 10 00

✉ info@buzzi.space

🌐 www.buzzi.space



A-000007788/01
Last update: 30/11/2023