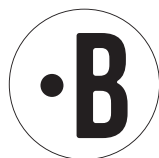
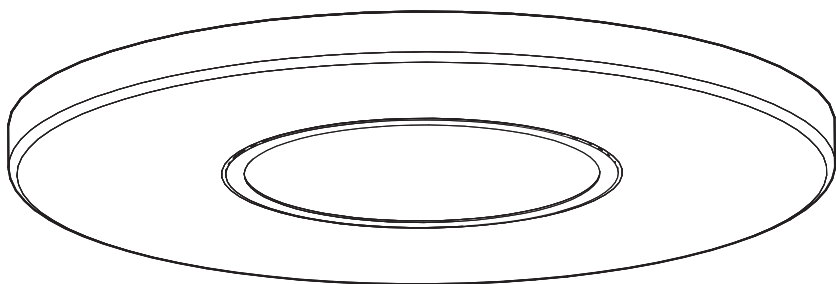


BuzziDisk Ceiling Mounted

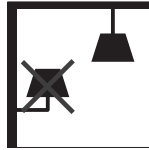
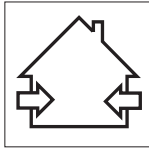
INSTALLATION MANUAL

MODE D' EMPLOI

120V



Technical info

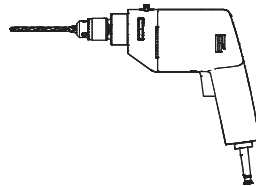
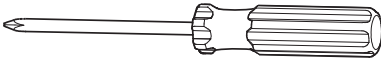


OR

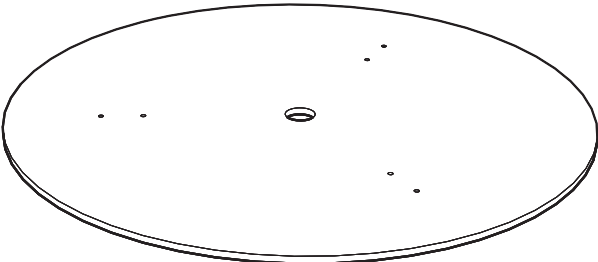
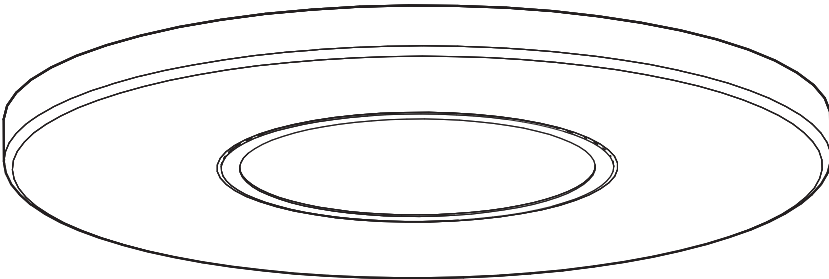


⚠ The light source of this luminaire is not replaceable; when the light source reaches its end of life the whole luminaire shall be replaced.

Excluded

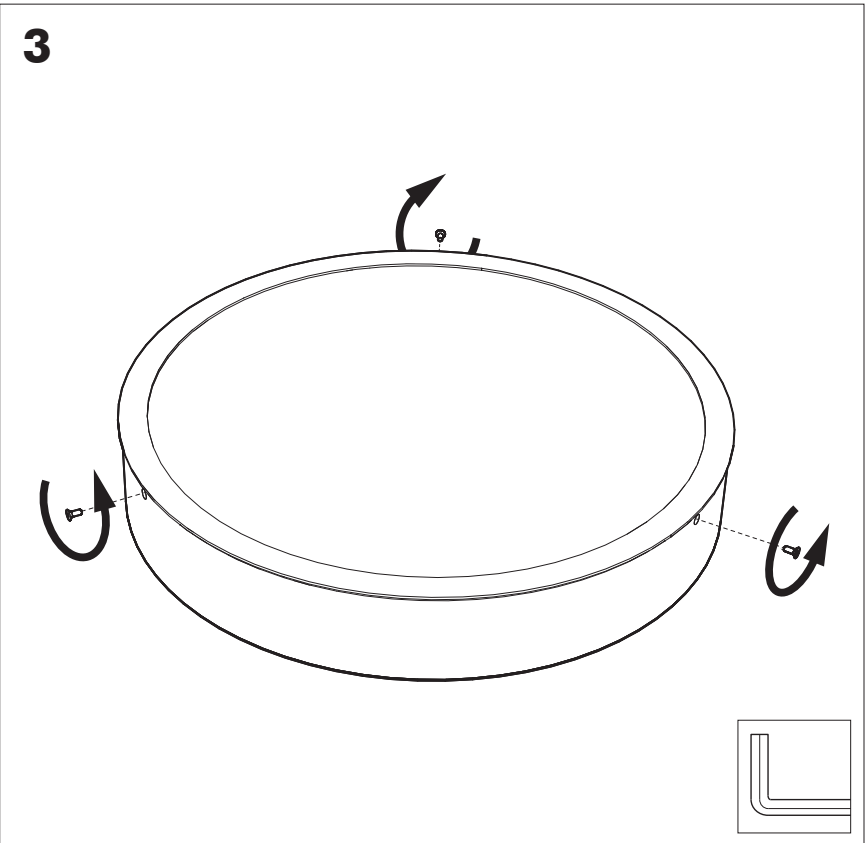
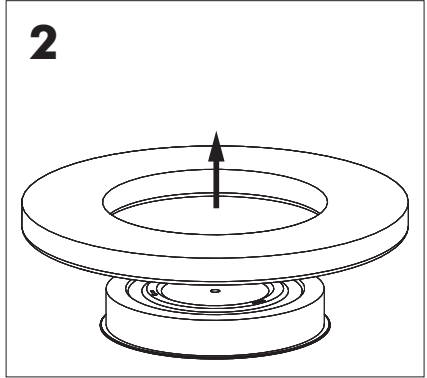
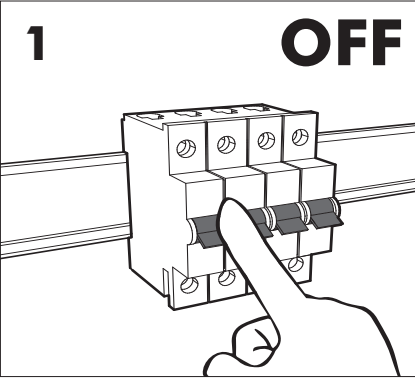
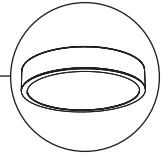


Included BuzziDisk Ceiling Mounted

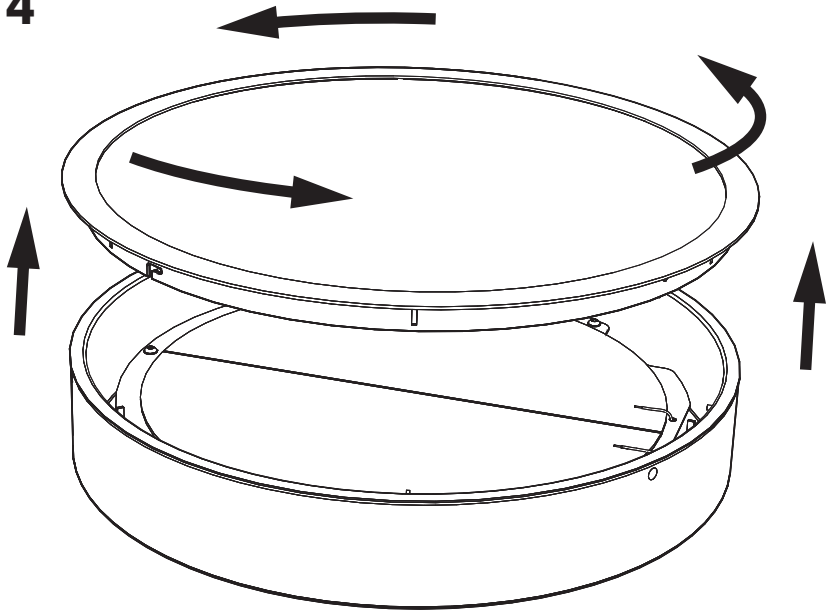


BuzziDisk Ceiling Mounted

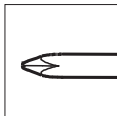
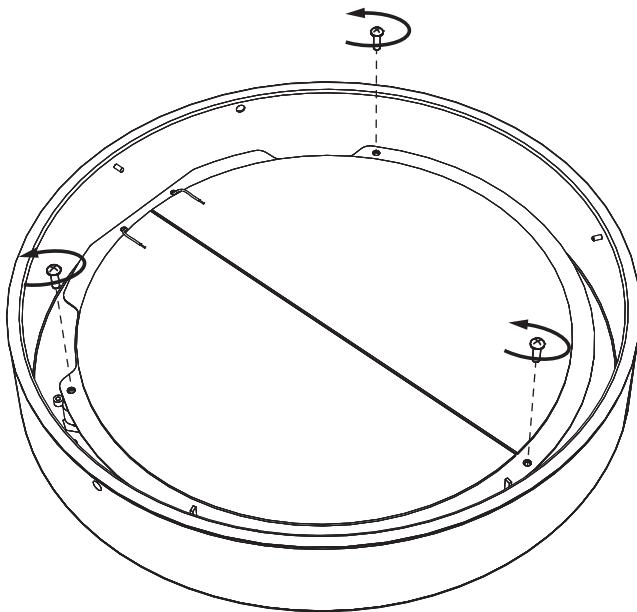
1 PERS. 



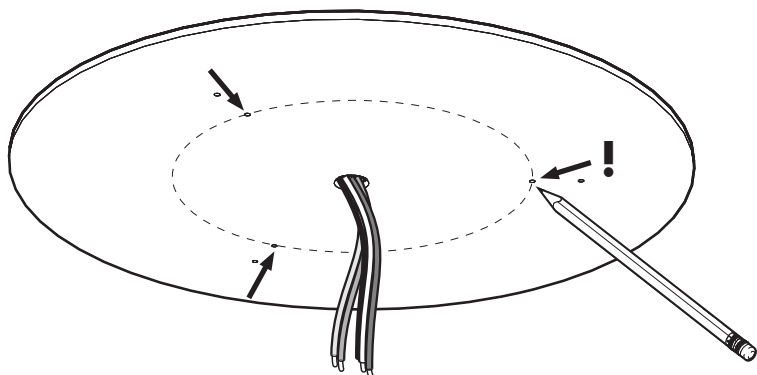
4



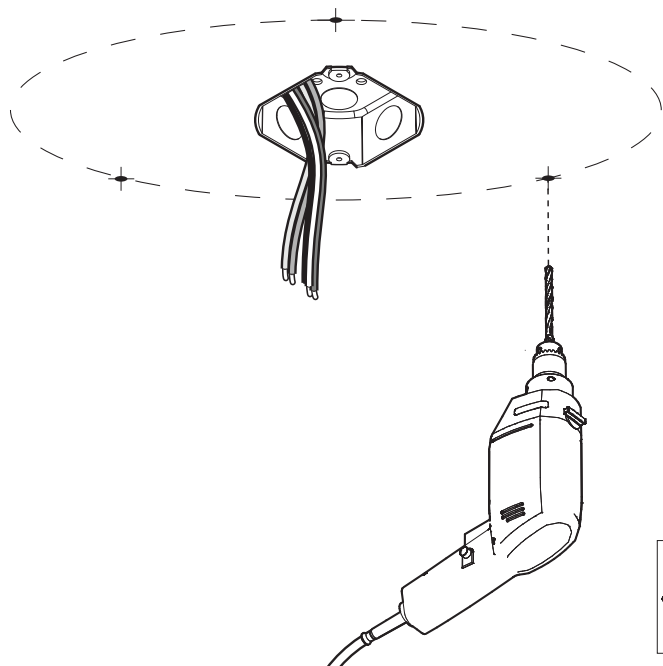
5



6

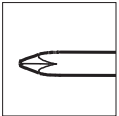
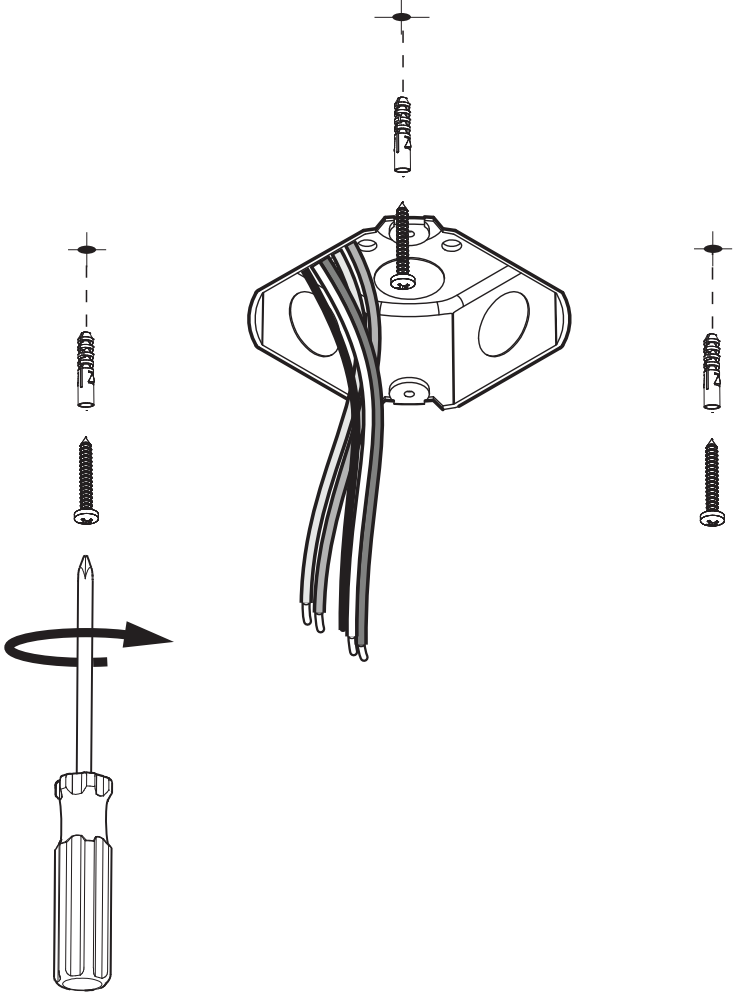


7

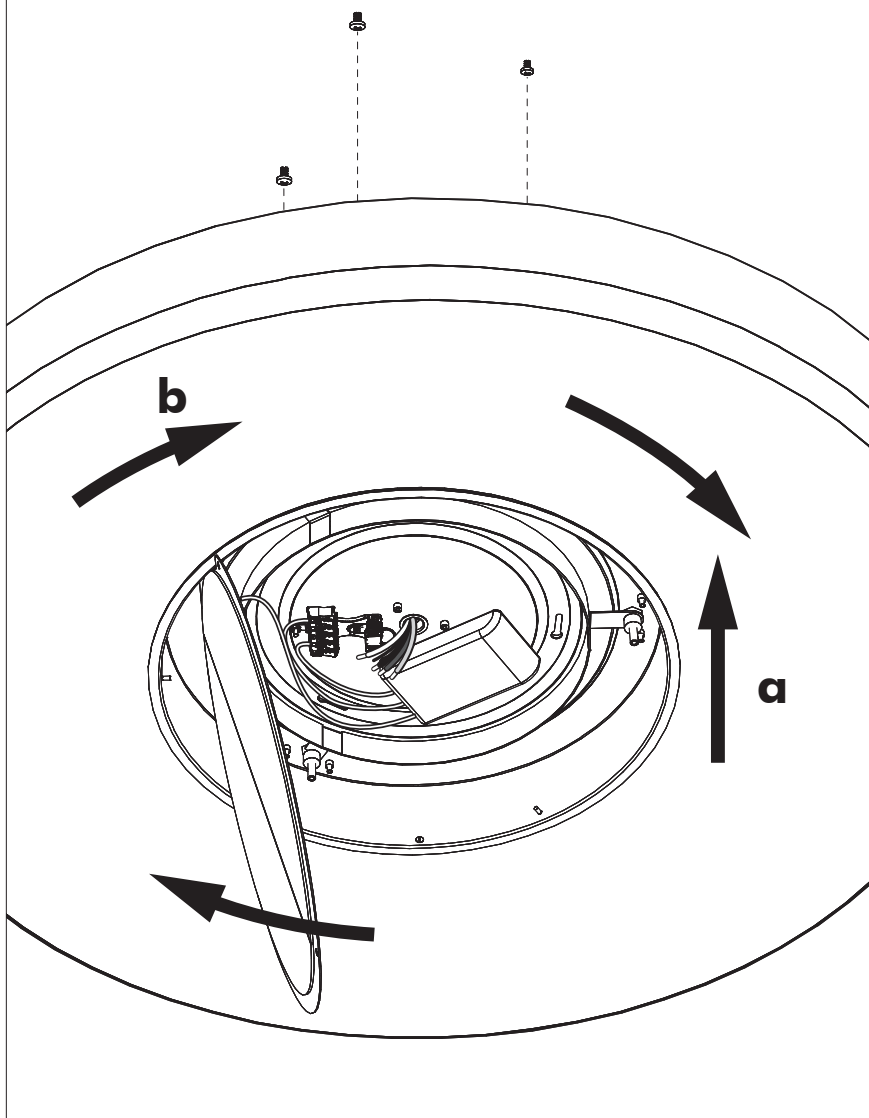
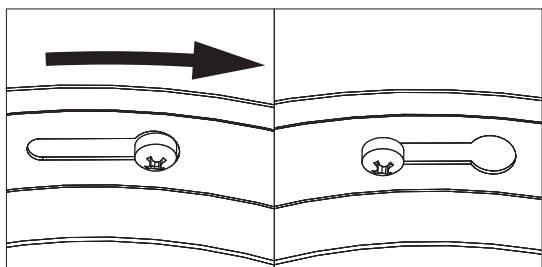


8

$\pm 0.5\text{cm}$
 $\pm 0.20''$
Max. $\varnothing 0,9\text{ cm}$
 $\varnothing 0.35''$

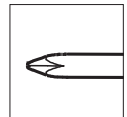
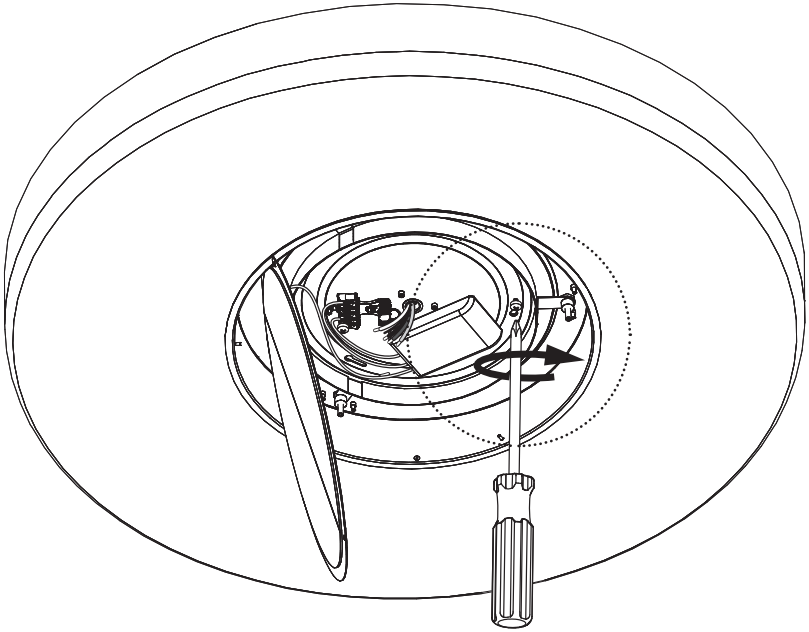


9



8

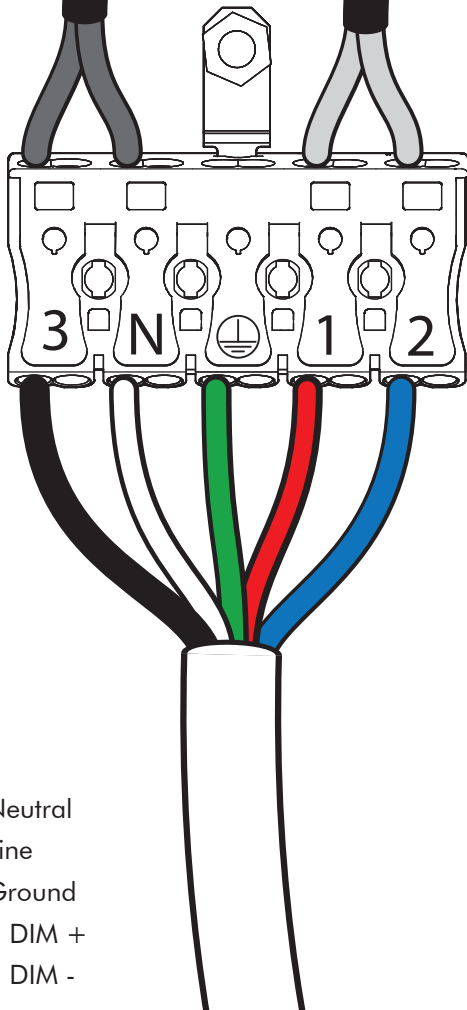
10



11a

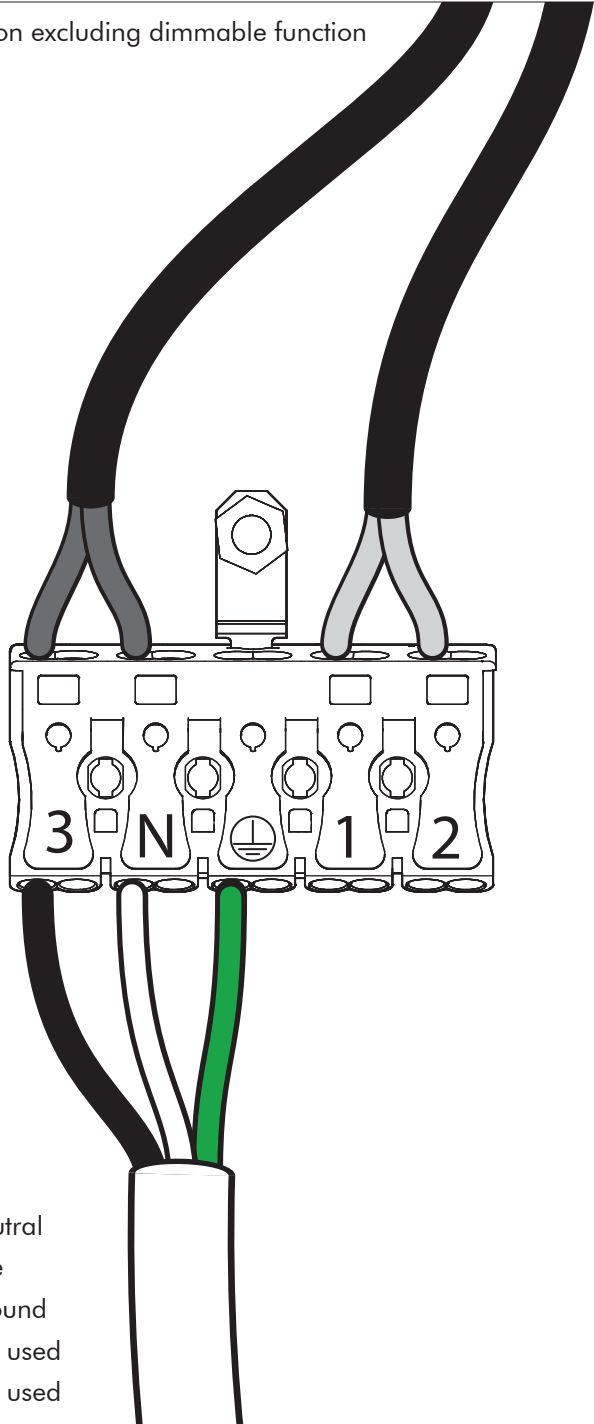


Connection including dimmable function



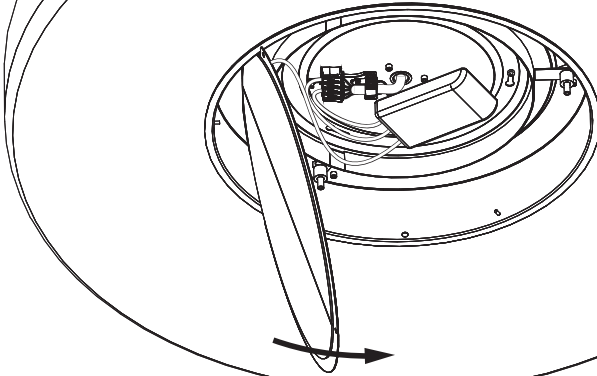
- N Neutral
- 3 Line
- 0 Ground
- 1 1 DIM +
- 2 2 DIM -

11b Connection excluding dimmable function



- N Neutral
- 3 Line
- 0 Ground
- 1 Not used
- 2 Not used

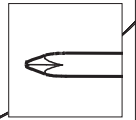
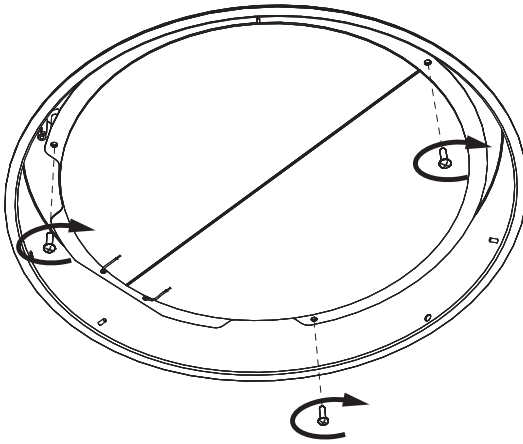
12



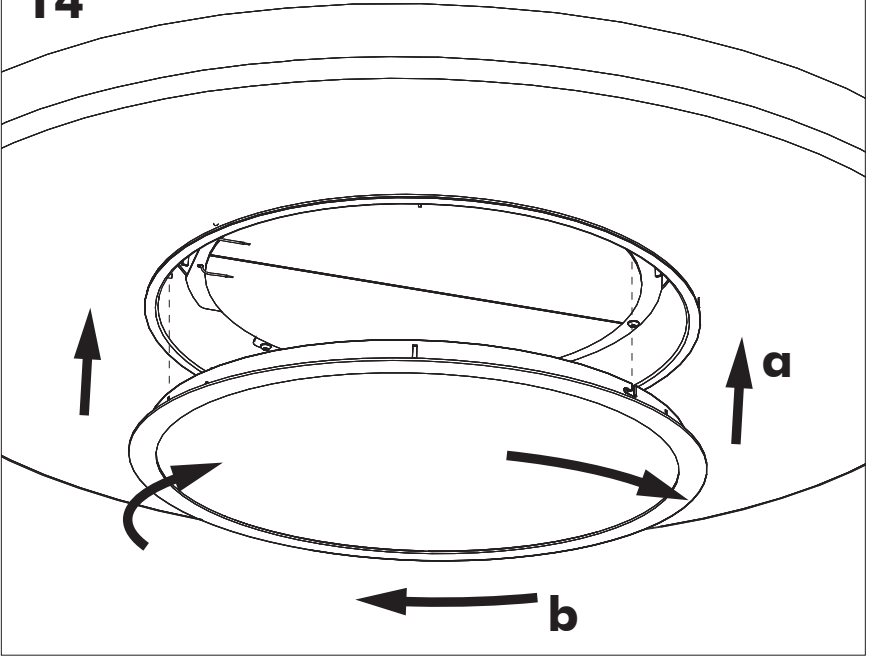
! Make sure wires are not pinched in-between during this step !

! Assurez-vous que les fils ne sont pas pincés pendant cette étape !

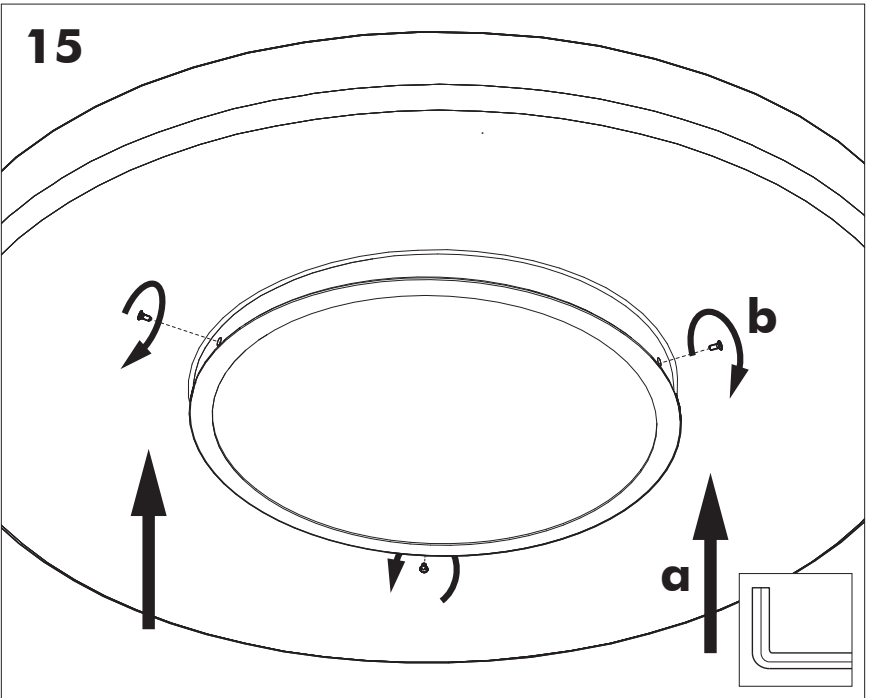
13



14



15



BuzziSpace Group NV
Italiëlei 8, 2000 Antwerp
Belgium

☎ +32 (0)3 846 10 00

✉ info@buzzi.space

🌐 www.buzzi.space



A-000007789/01

Last update: 30/11/2023