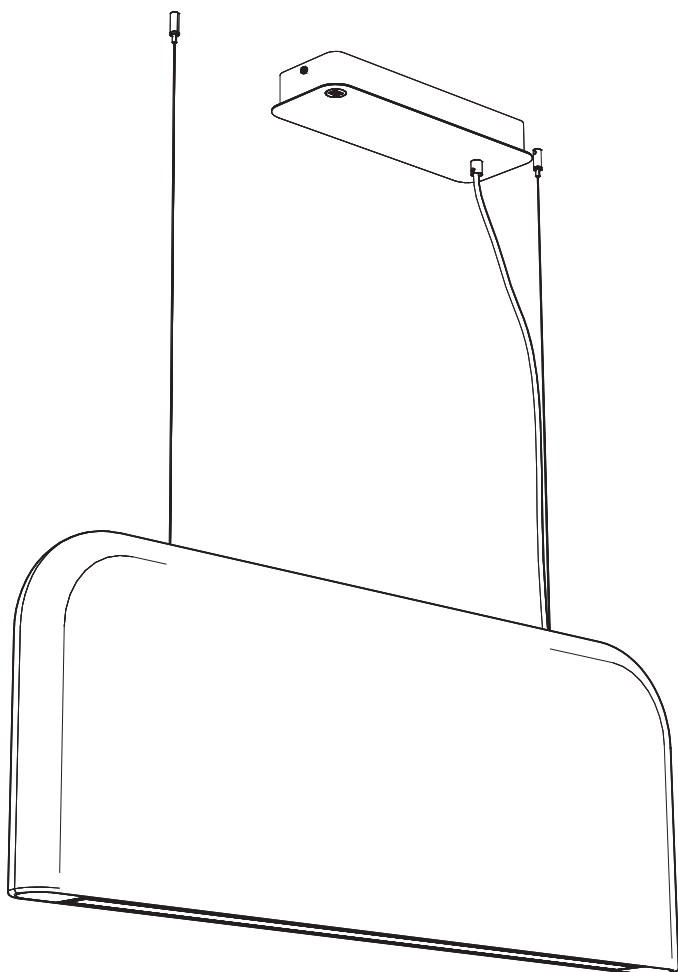


BuzziShield Light

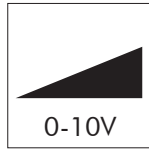
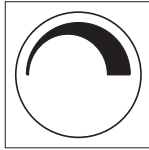
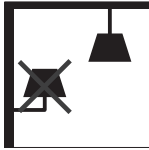
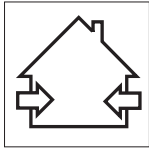
INSTALLATION MANUAL

MODE DE L'EMPLOI

100V-240V/277V

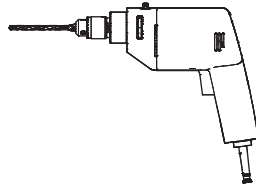
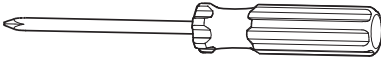
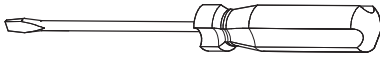


Technical info



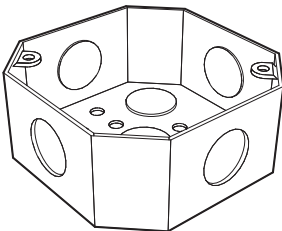
⚠ The light source contained in this luminaire shall only be replaced by the manufacturer or his service agent or a similar qualified person.

Excluded



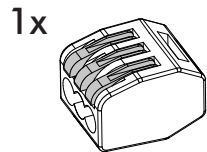
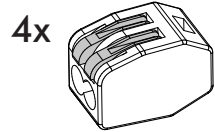
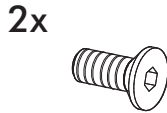
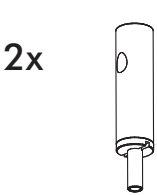
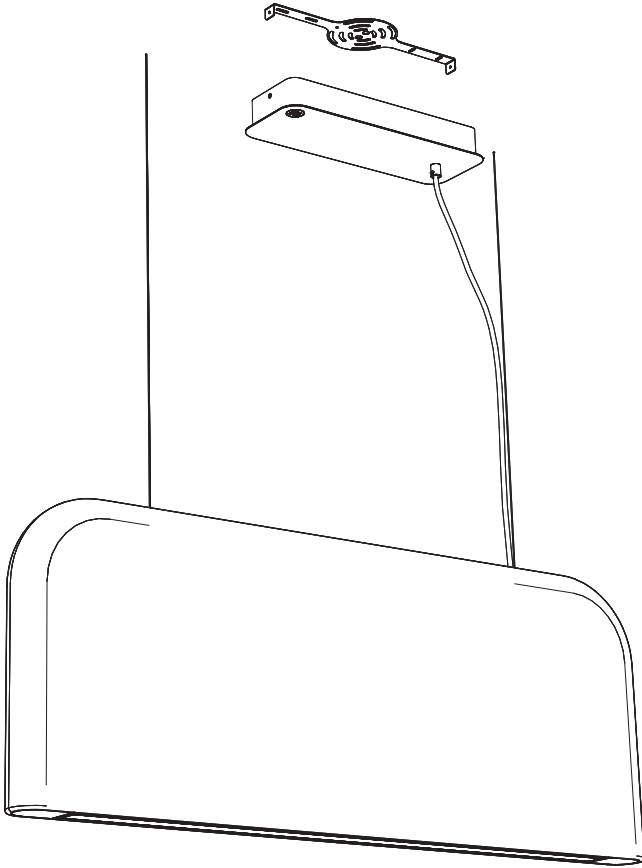
2x 

2x 



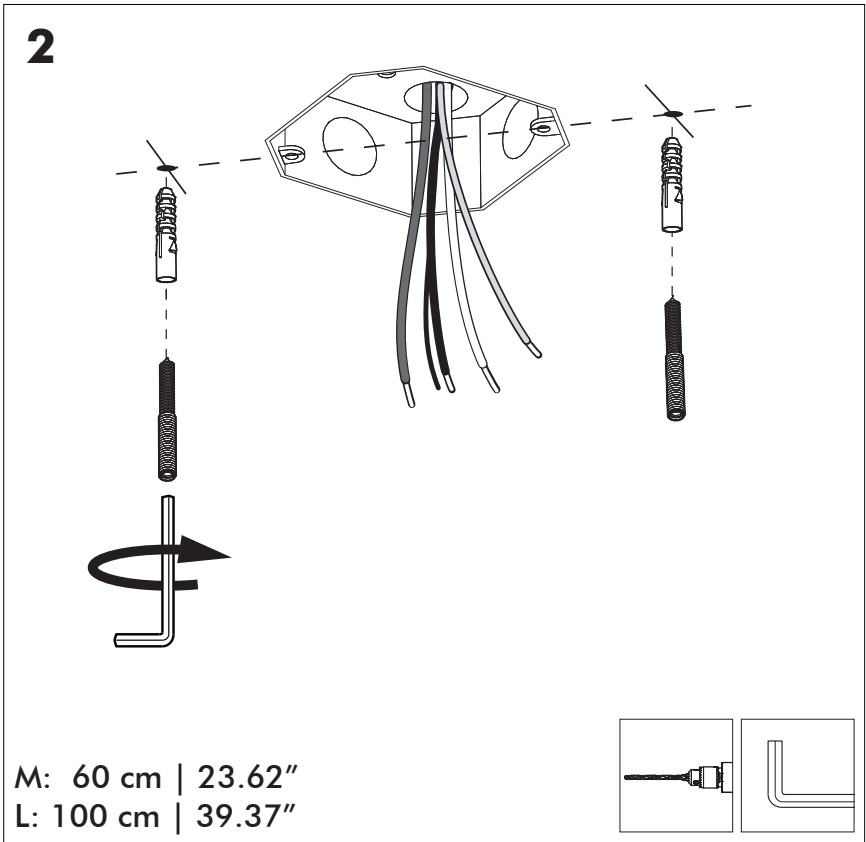
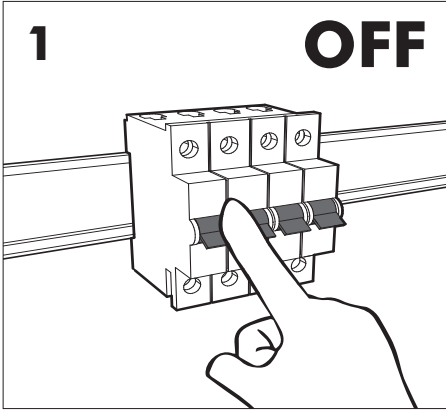
2x 

Included

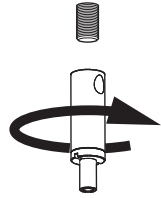
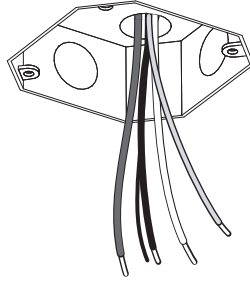
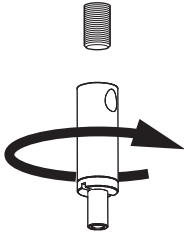


BuzziShield Light

2 PERS. 

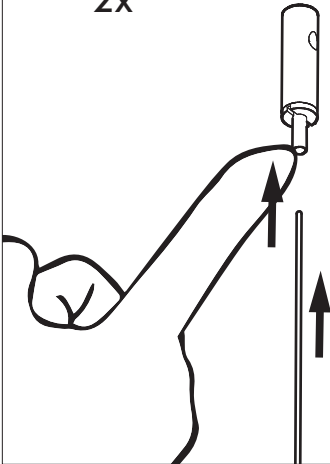


3

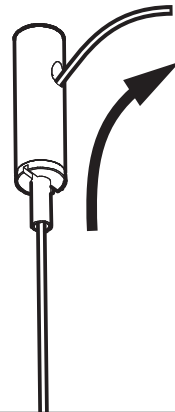


4

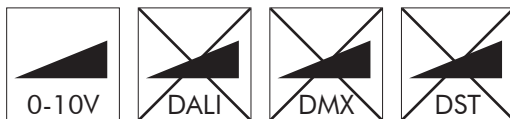
2x



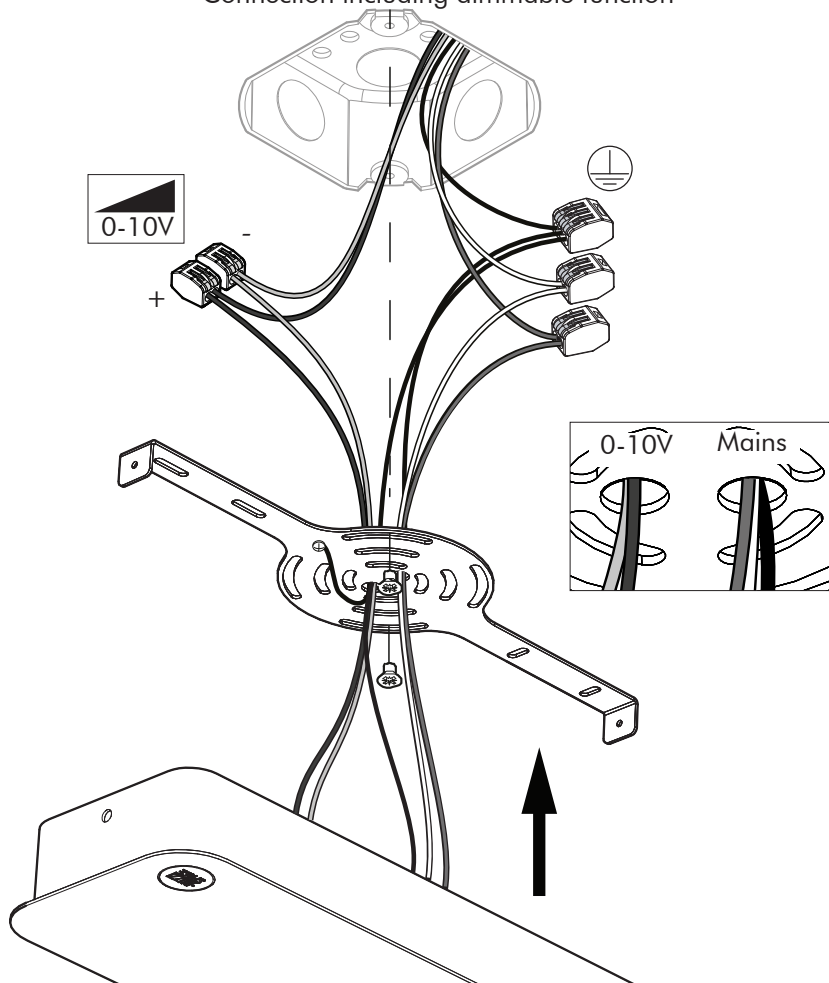
2x



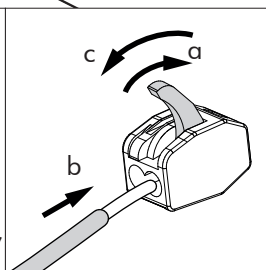
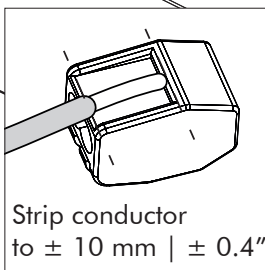
5a



Connection including dimmable function

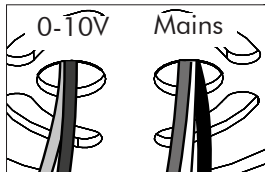
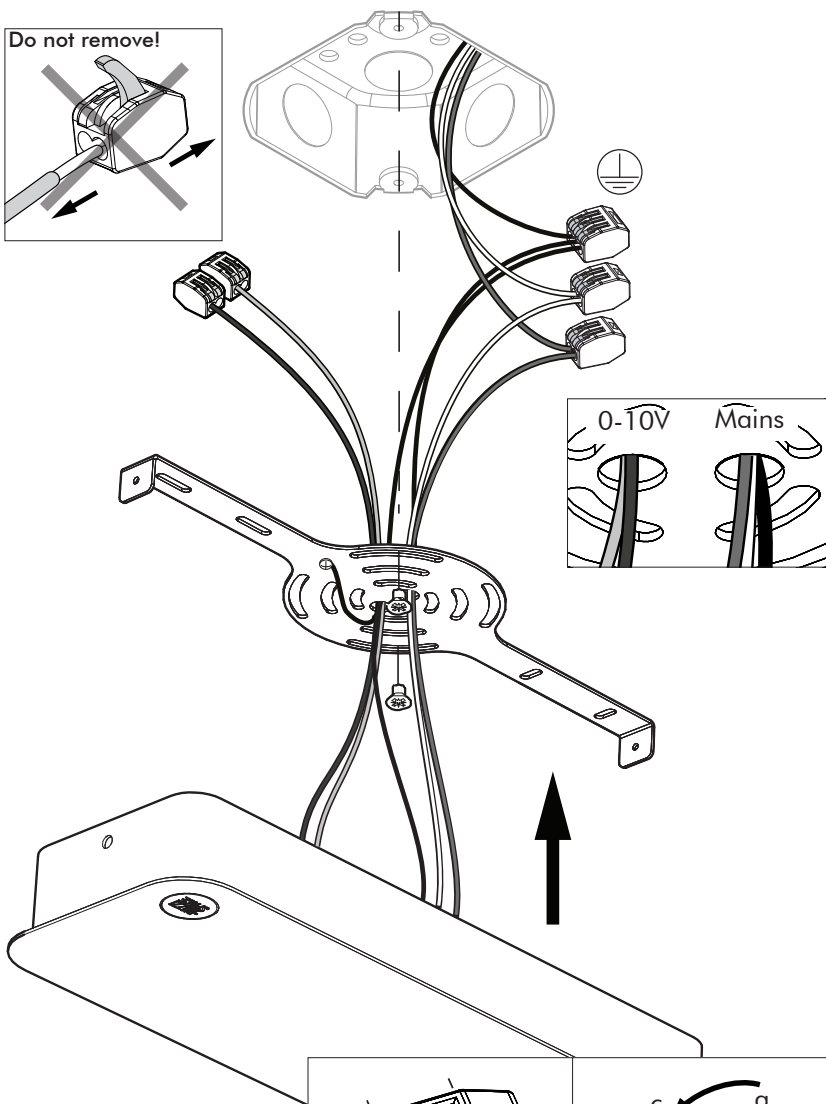
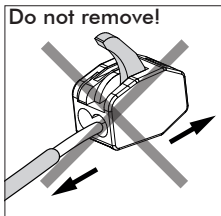


- Blue Neutral
- Brown Line
- Green Ground
- Purple DIM +
- Pink DIM -

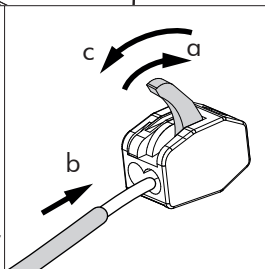
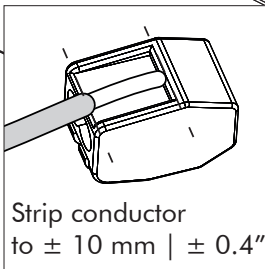


5b

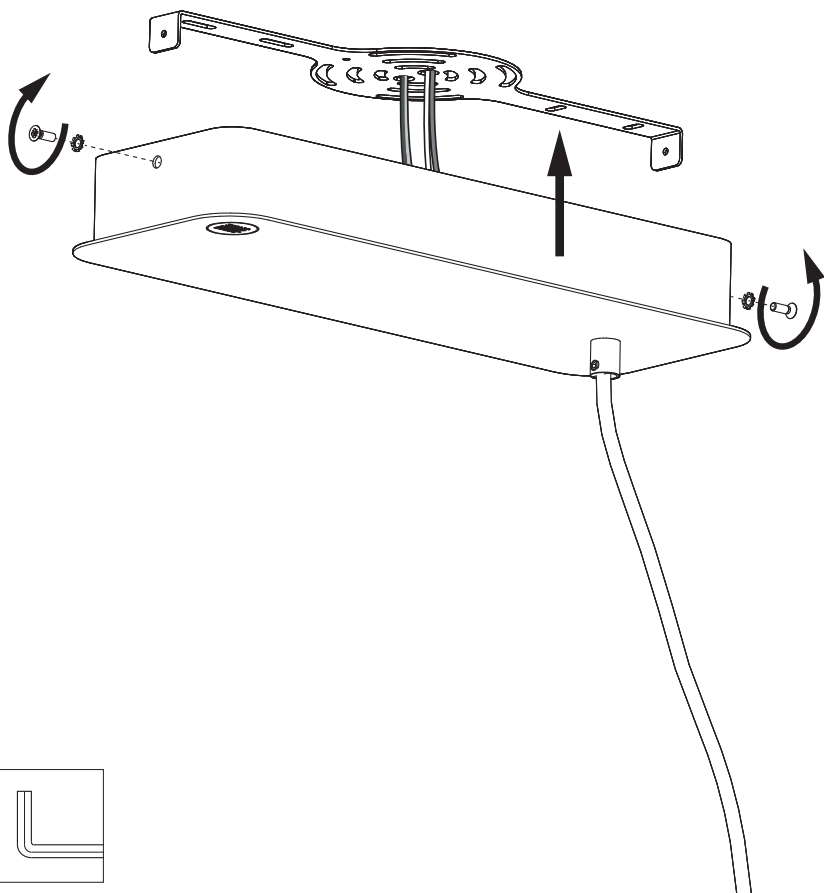
Connection excluding dimmable function



- | | |
|--------|----------|
| Blue | Neutral |
| Brown | Line |
| Green | Ground |
| Purple | Not used |
| Pink | Not used |

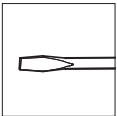
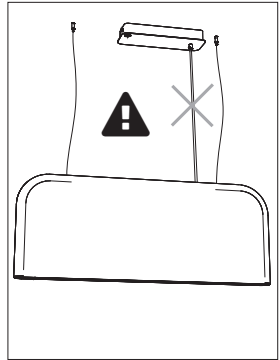
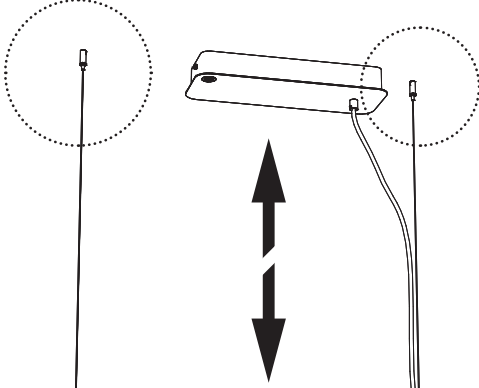
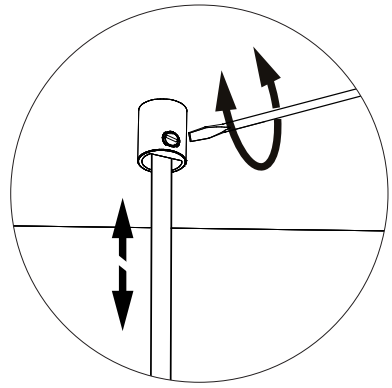
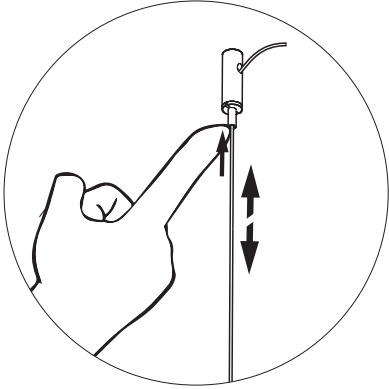


6



8

!



BuzziSpace Group NV
Italiëlei 8, 2000 Antwerp
Belgium

☎ +32 (0)3 846 10 00

✉ info@buzzi.space

🌐 www.buzzi.space



A-0000007477/02
Last update: 30/11/2023