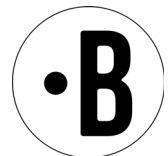
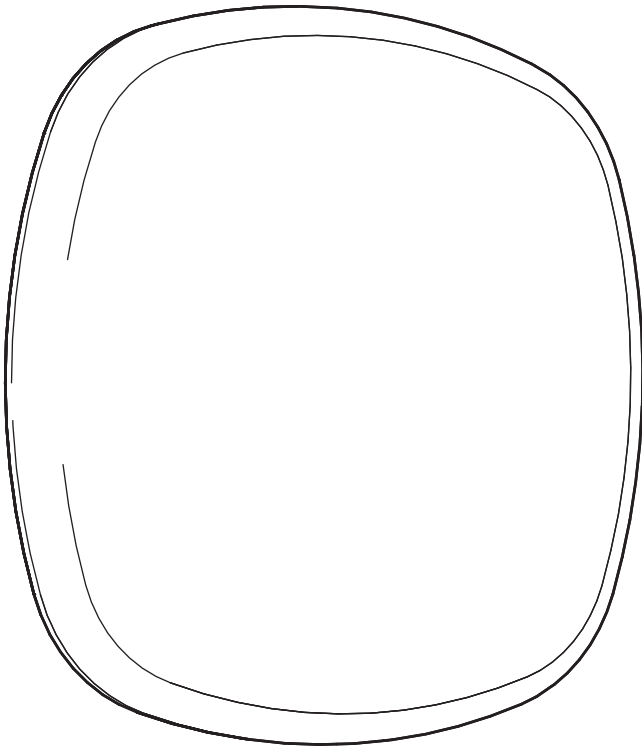


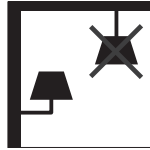
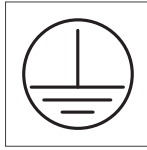
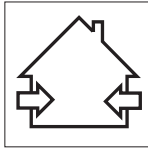
BuzziPebl Light

One | Two

INSTALLATION MANUAL
220-240V



Technical info

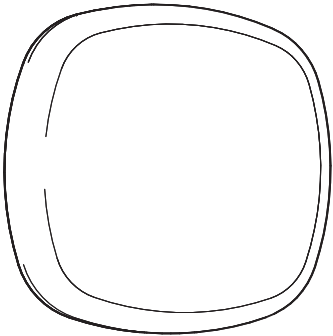


Environmental Protection

Waste electrical products should not be disposed of with household waste. Please recycle where facilities exist. Check with your Local Authority or retailer for recycling advice.

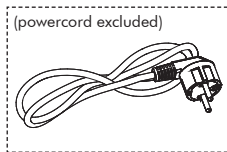
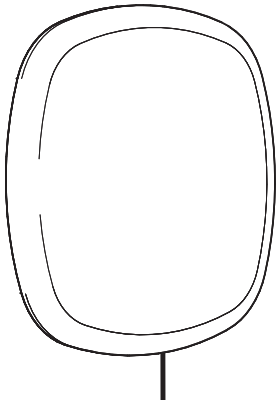
BuzziPebl Light

p.3

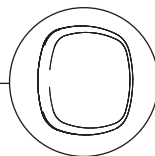


BuzziPebl Light Optional Powercord (powercord excluded)

p.10

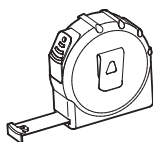
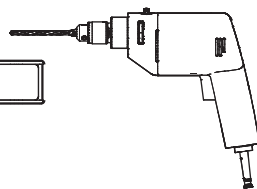


BuzziPebbl Light



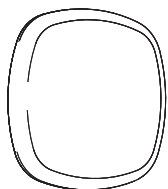
1 PERS. 

Excluding

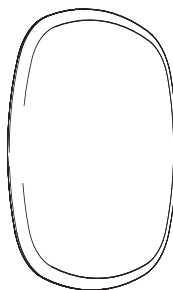


Including (1 pcs)

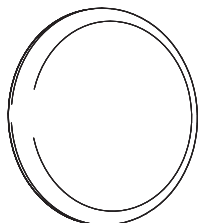
One Medium



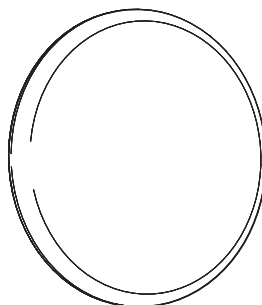
One Large



Two Medium

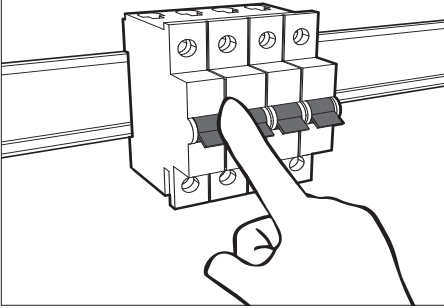


Two Large

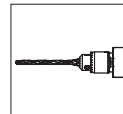
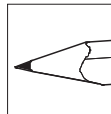
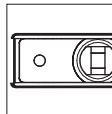
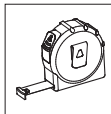
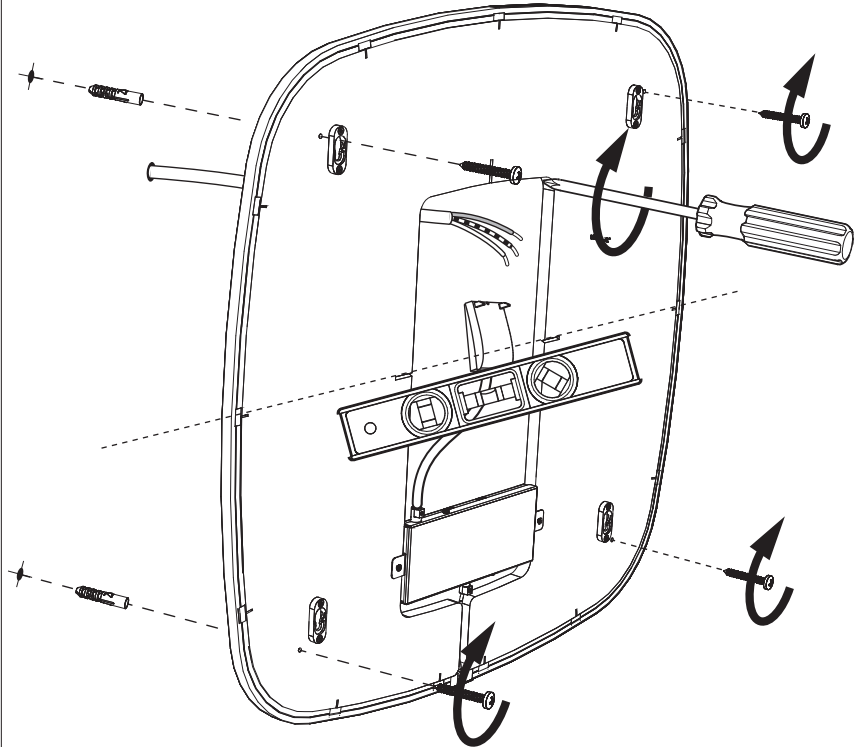


1

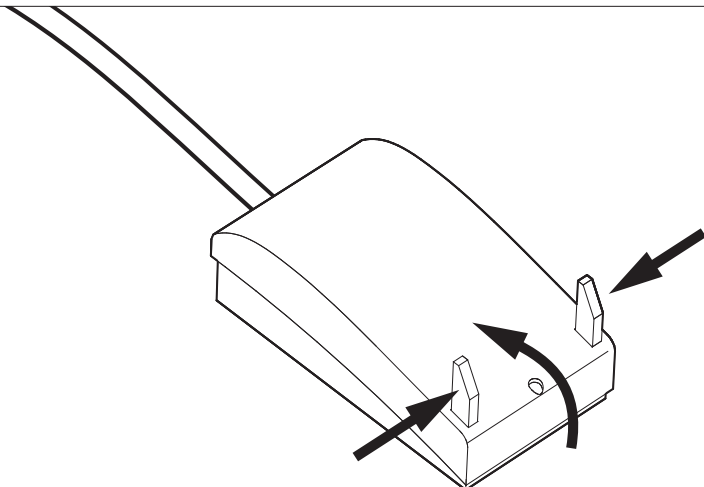
OFF



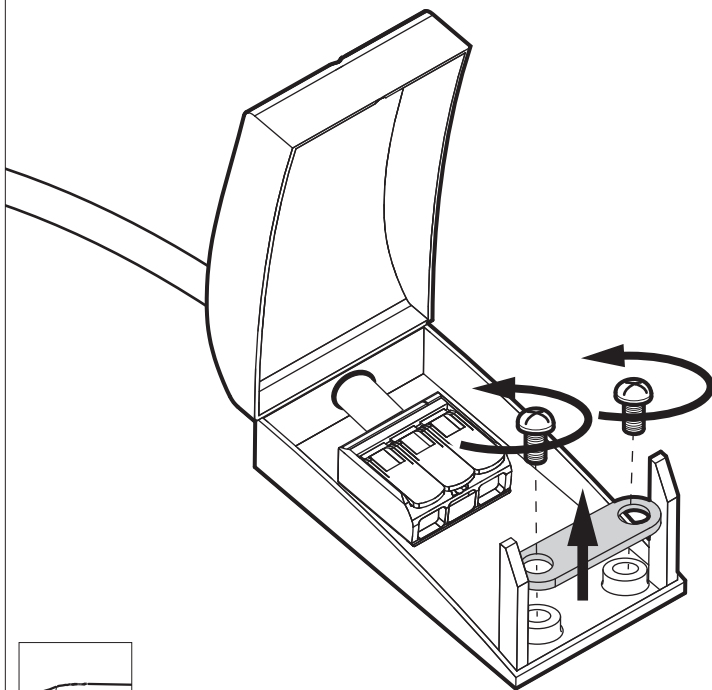
2



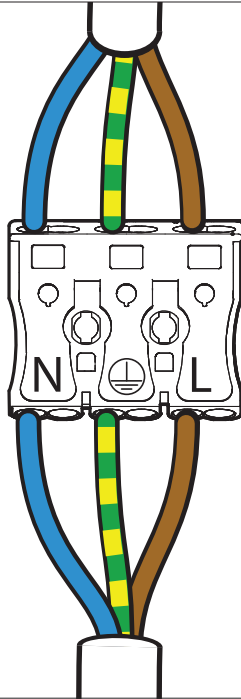
3



4

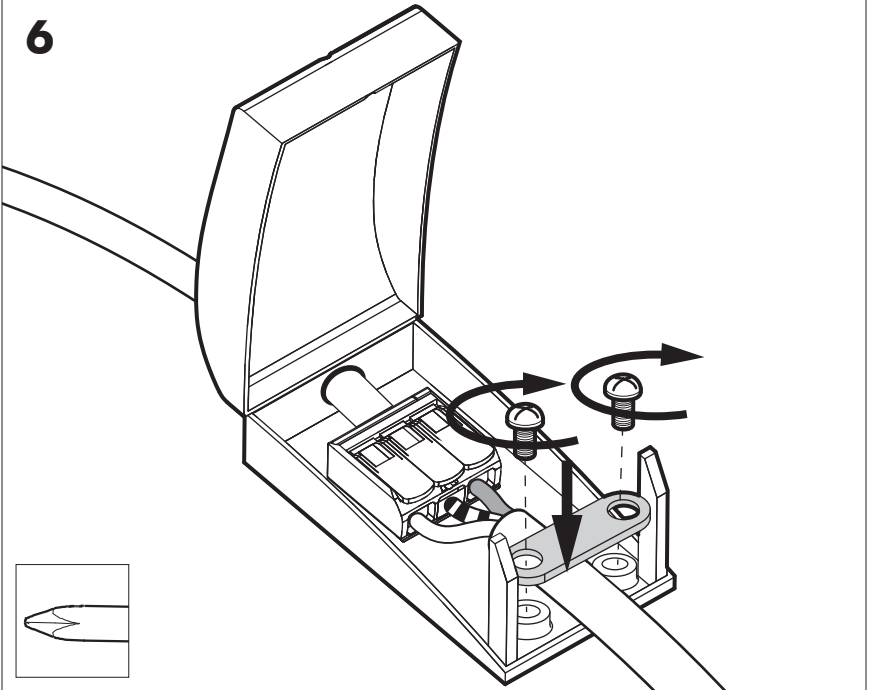


5

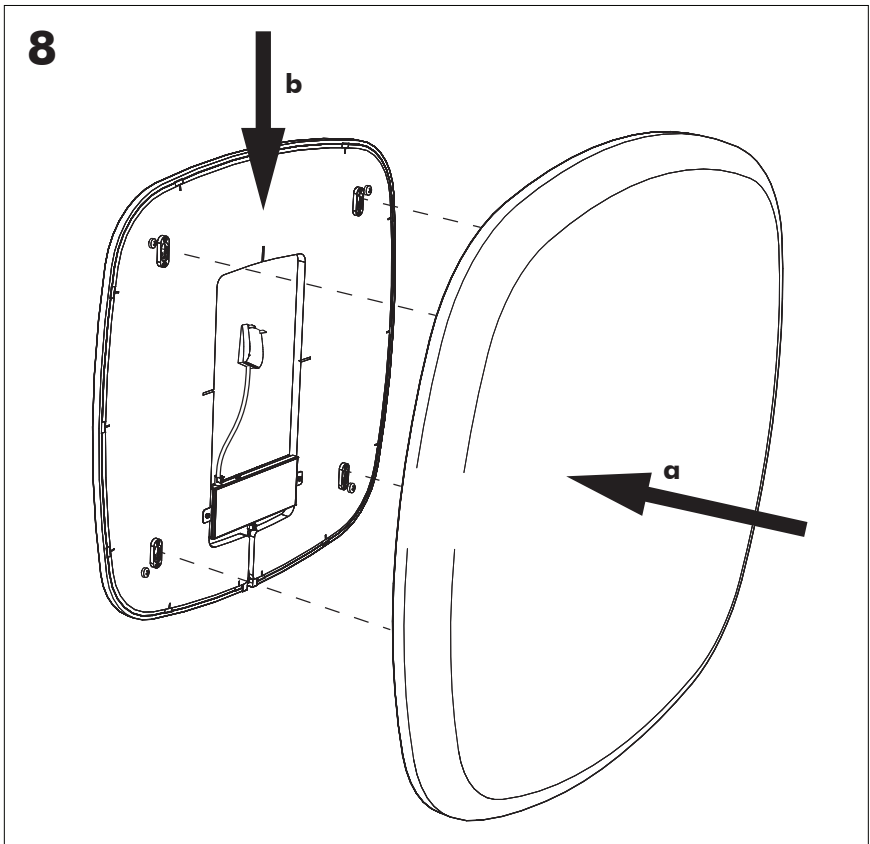
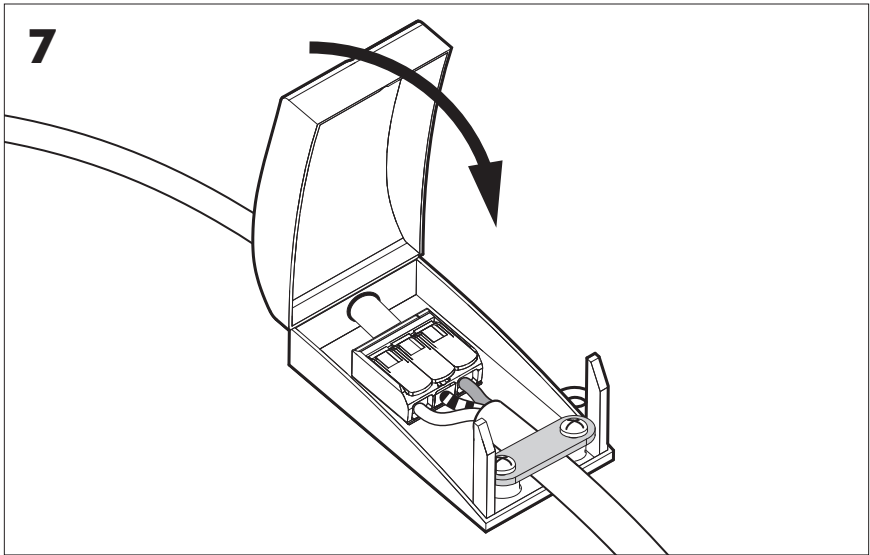


Blue	Neutral
Brown	Line
Green/Yellow	Ground

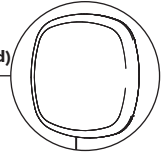
6



6



BuzziPebl Light Optional Powercord (powercord excluded)

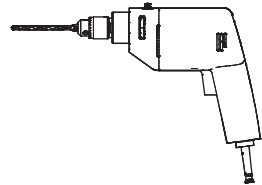
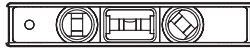


1 PERS. 

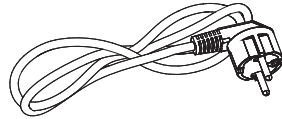
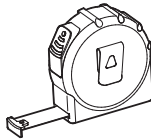
Excluding



4x

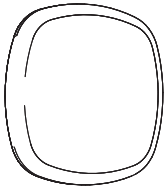


4x

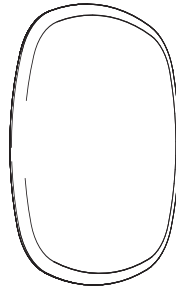


Including (1 pcs)

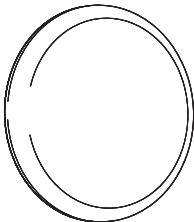
One Medium



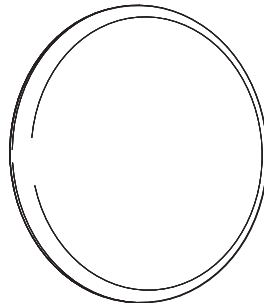
One Large

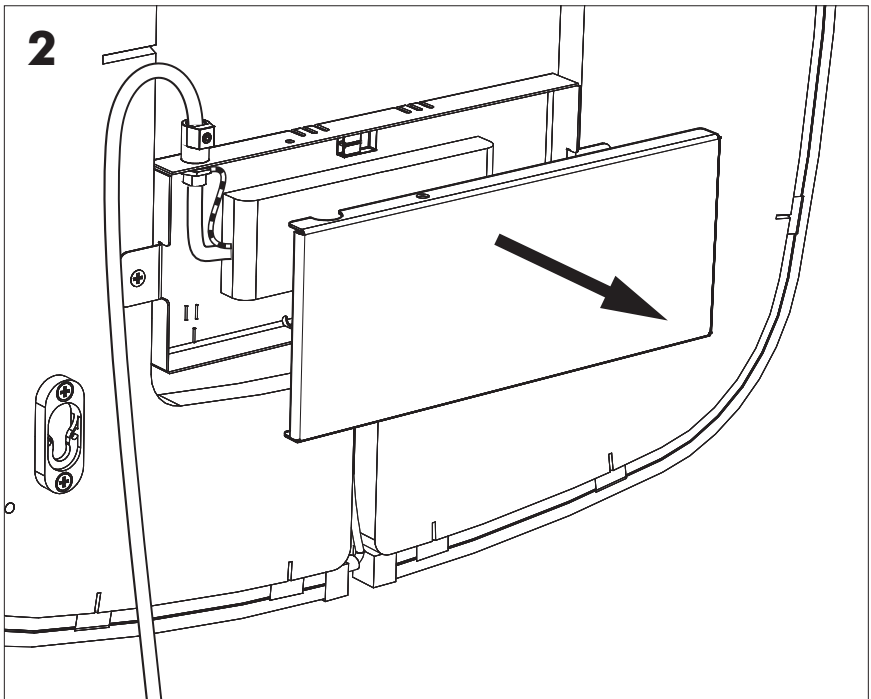
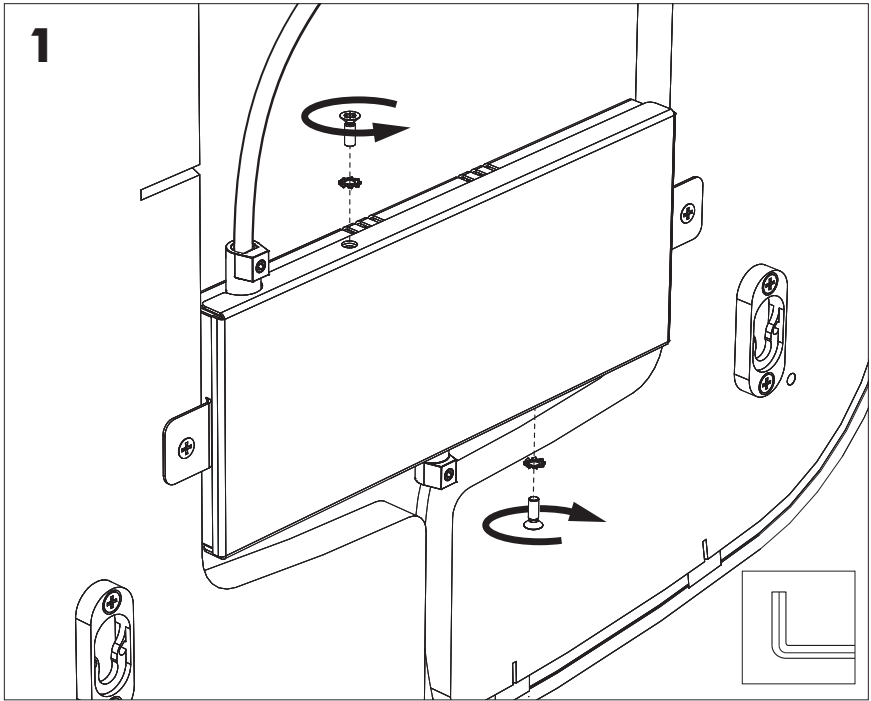


Two Medium

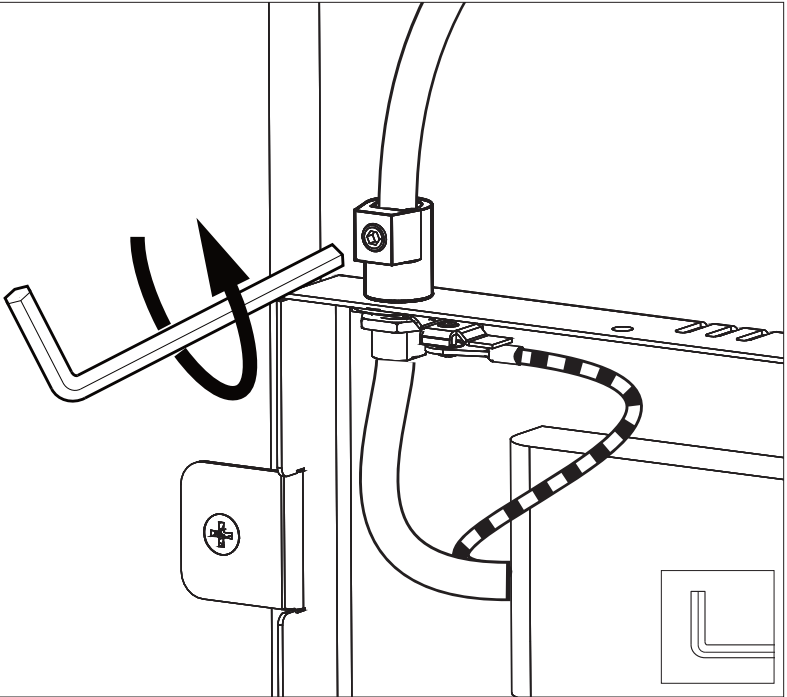


Two Large

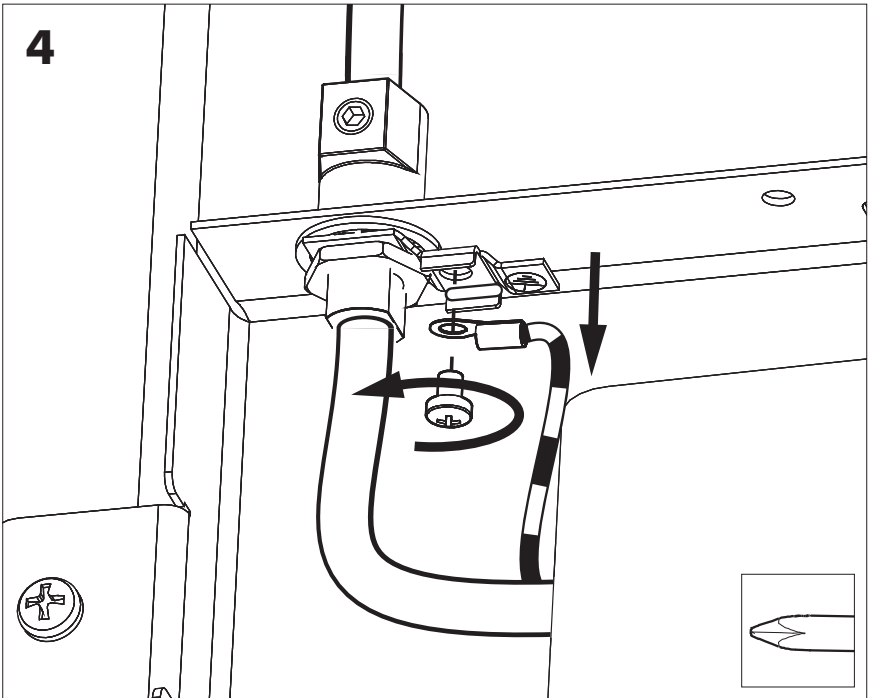


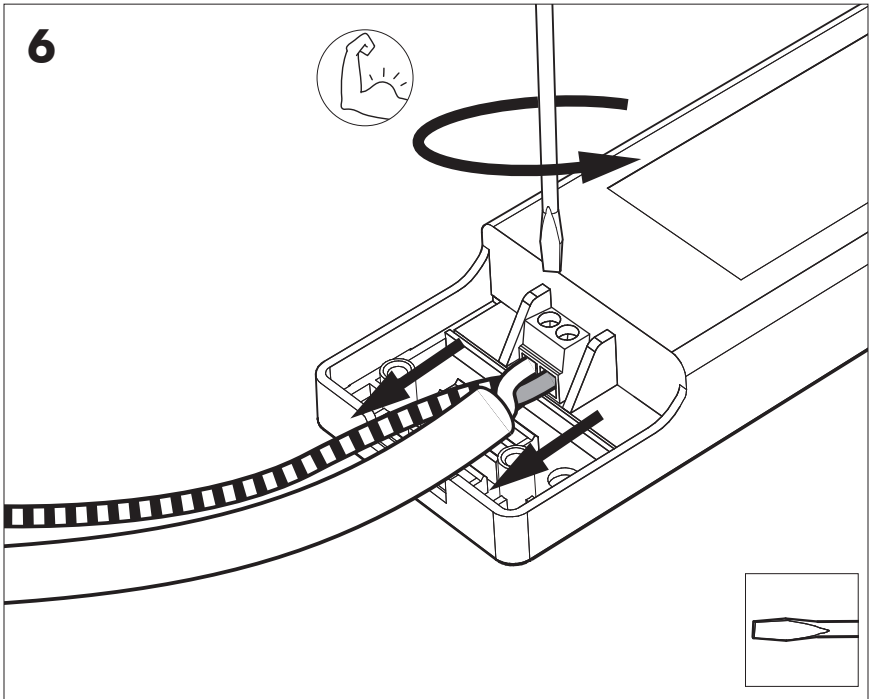
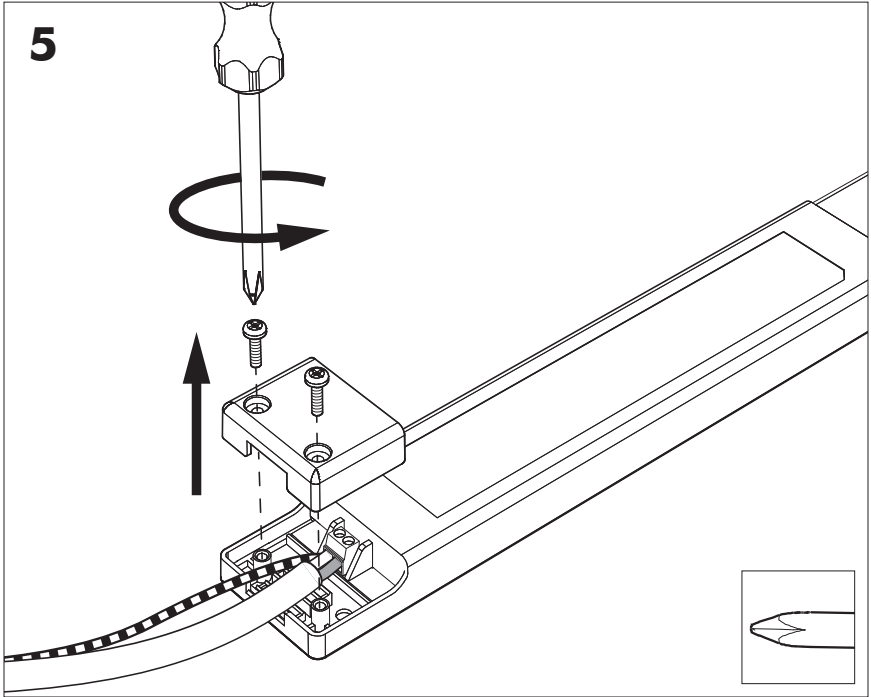


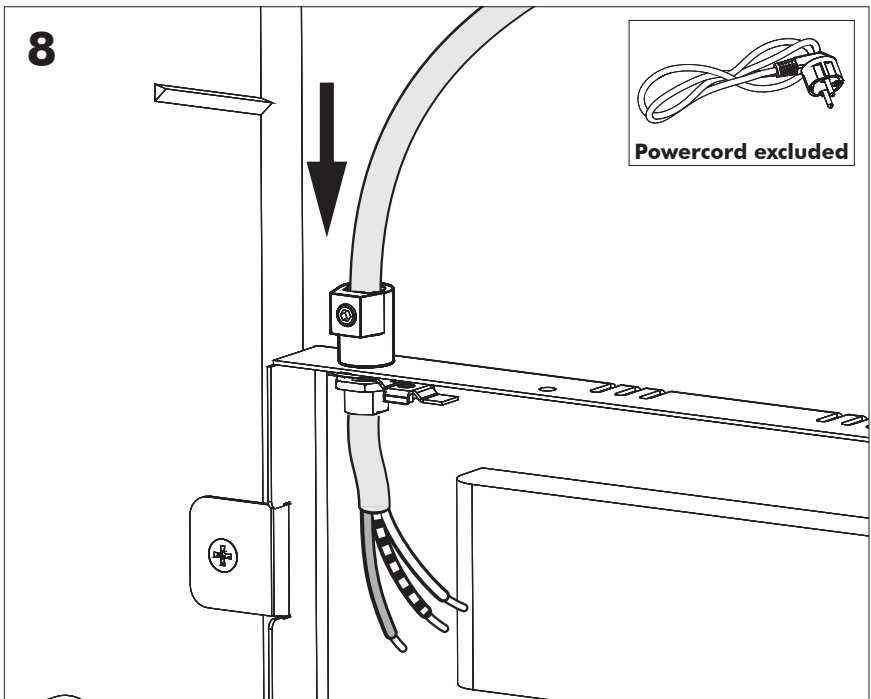
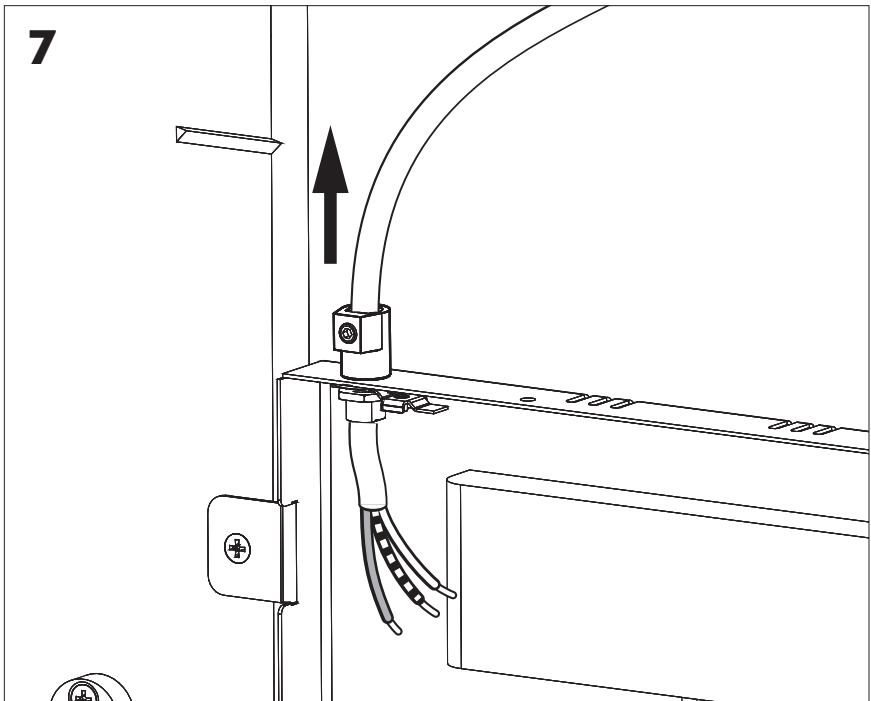
3

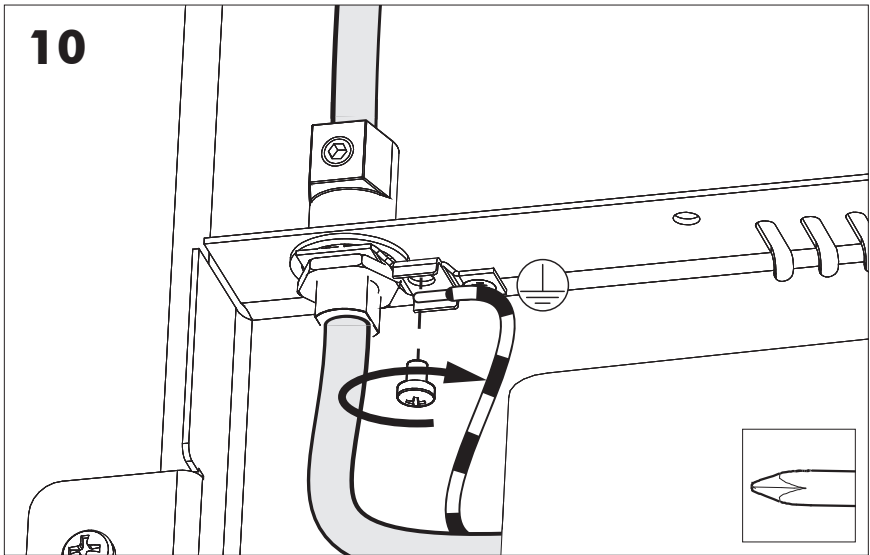
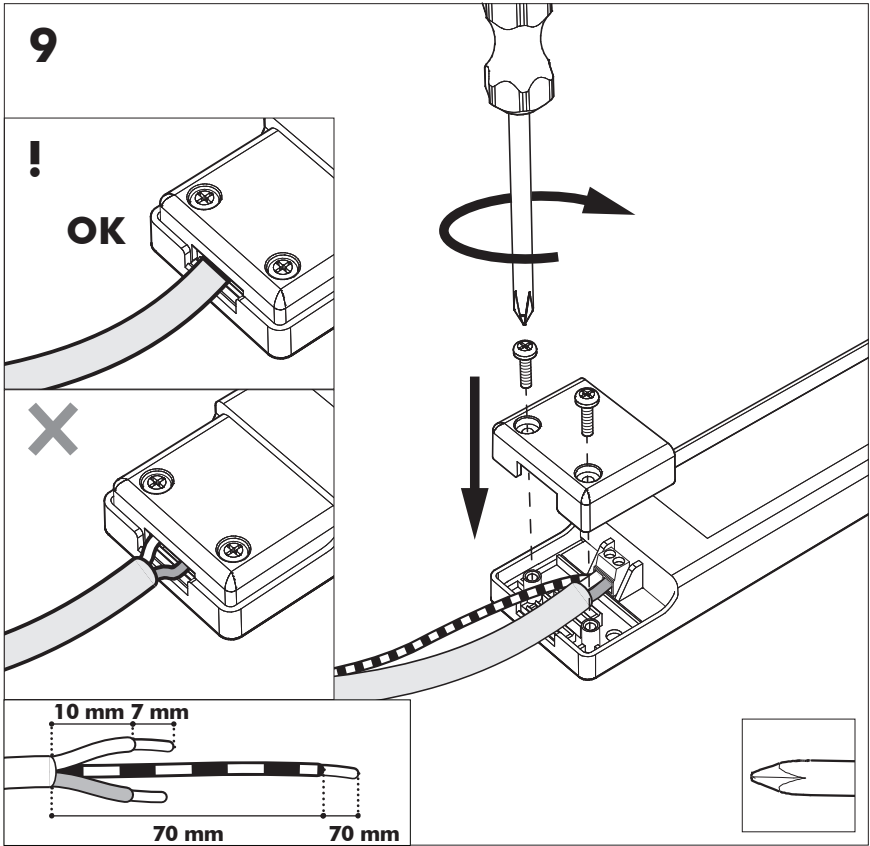


4

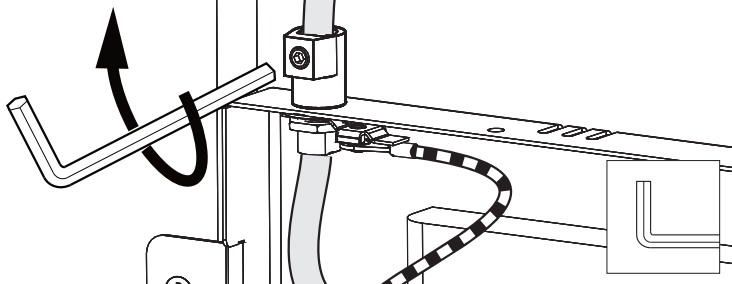




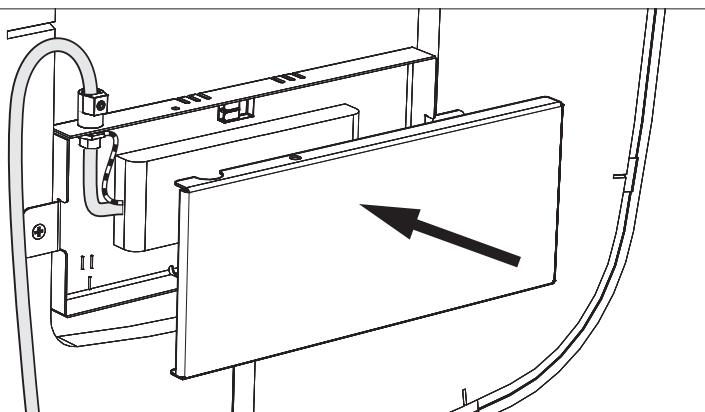




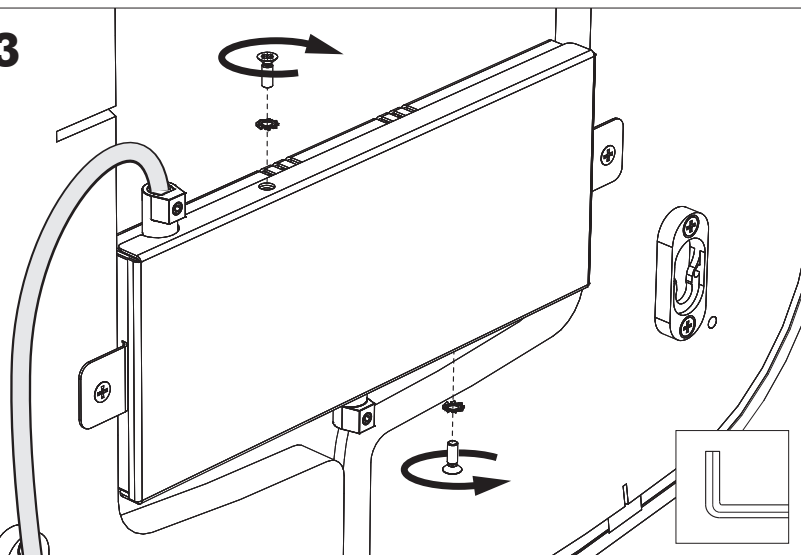
11



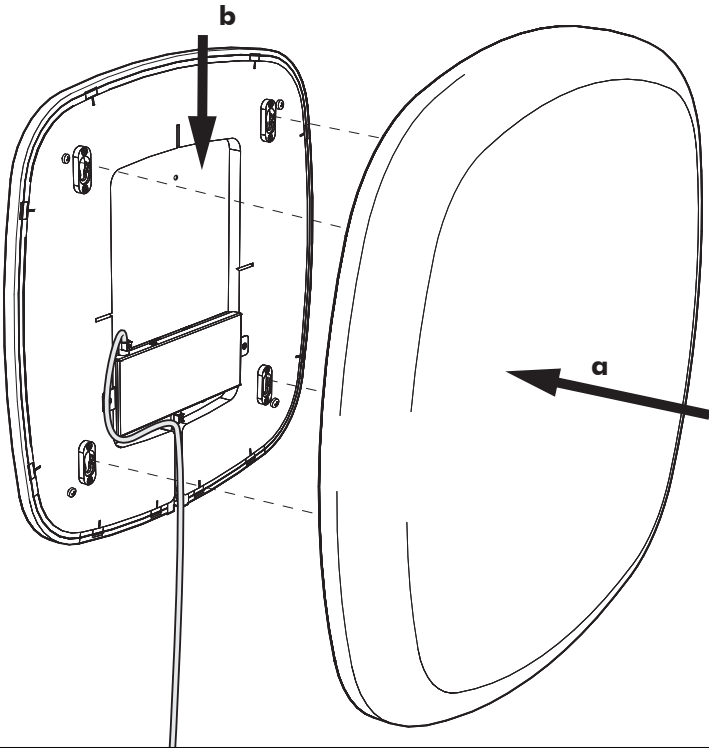
12



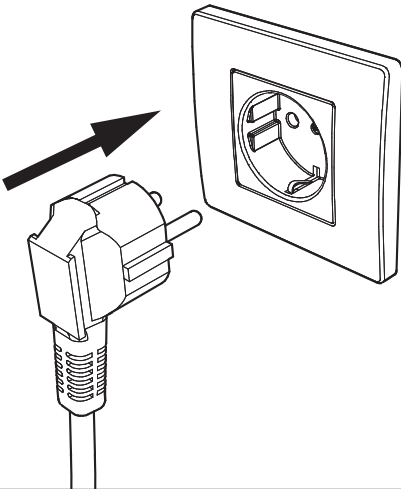
13



14



15



BuzziSpace Group NV
Italiëlei 8, 2000 Antwerp
Belgium

☎ +32 (0)3 846 10 00

✉ info@buzzi.space

🌐 www.buzzi.space



Doc nr.: A-0000007808/01

Last update: 30/11/2023