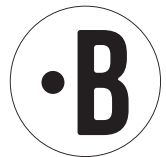
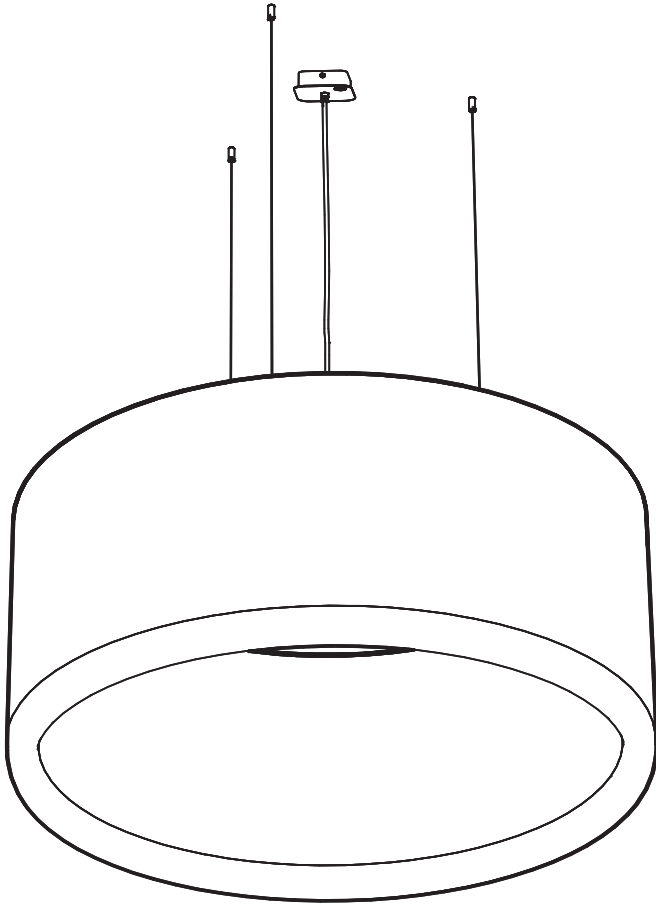
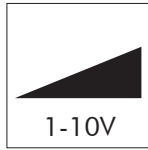
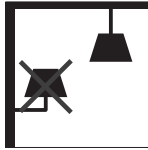
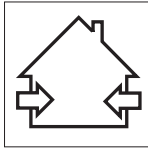


BuzziJet Ceiling Suspended XL

INSTALLATION MANUAL
120V

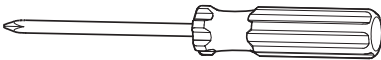
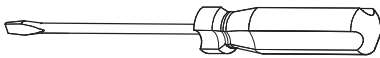


Technical info

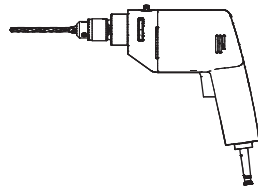


⚠ The light source of this luminaire is not replaceable; when the light source reaches its end of life the whole luminaire shall be replaced.

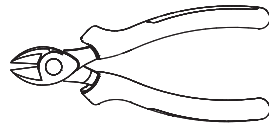
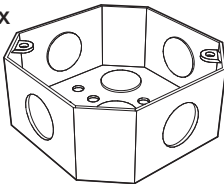
Excluded




2x 

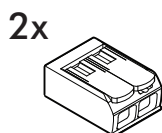
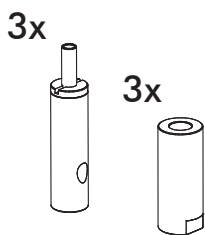
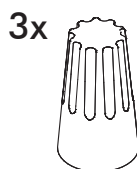
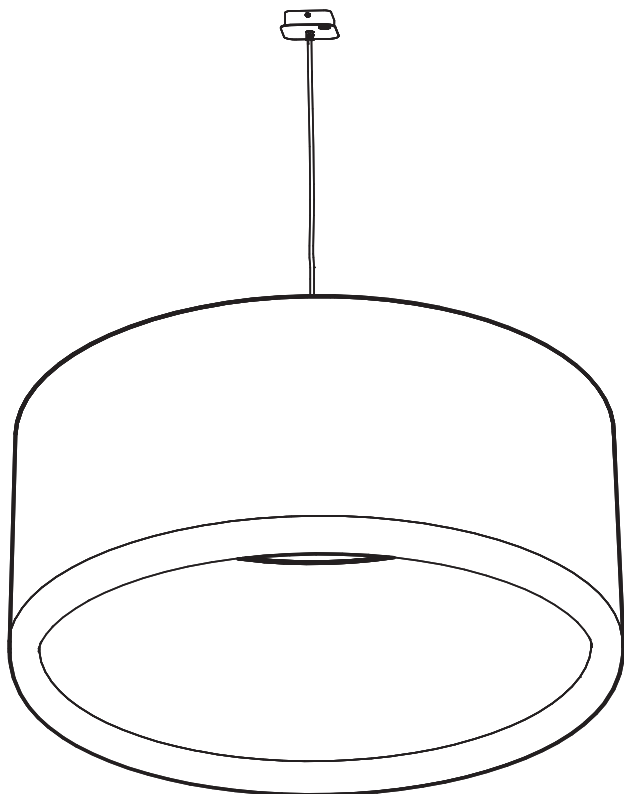


1x

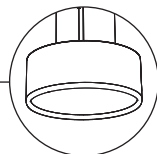


Straight 3x 

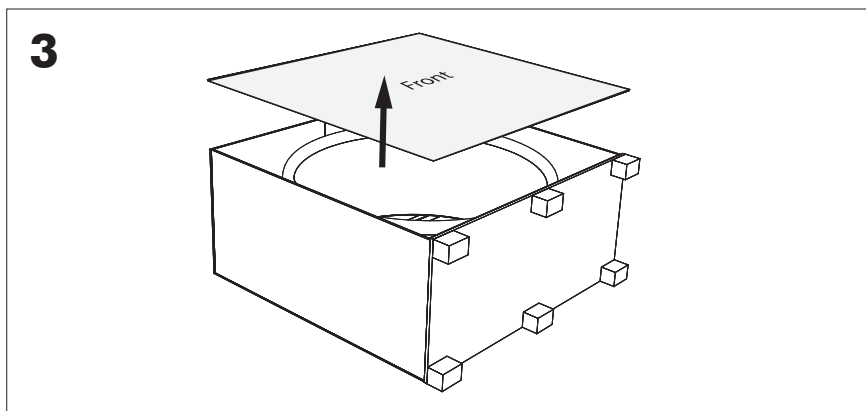
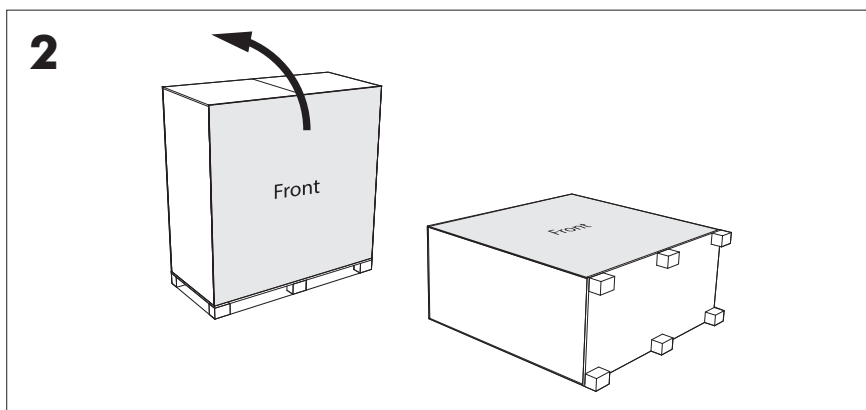
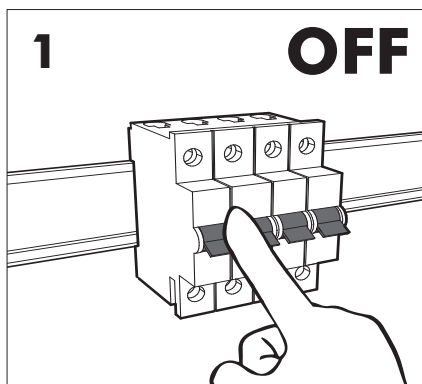
Included BuzziJet XL



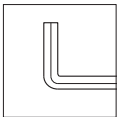
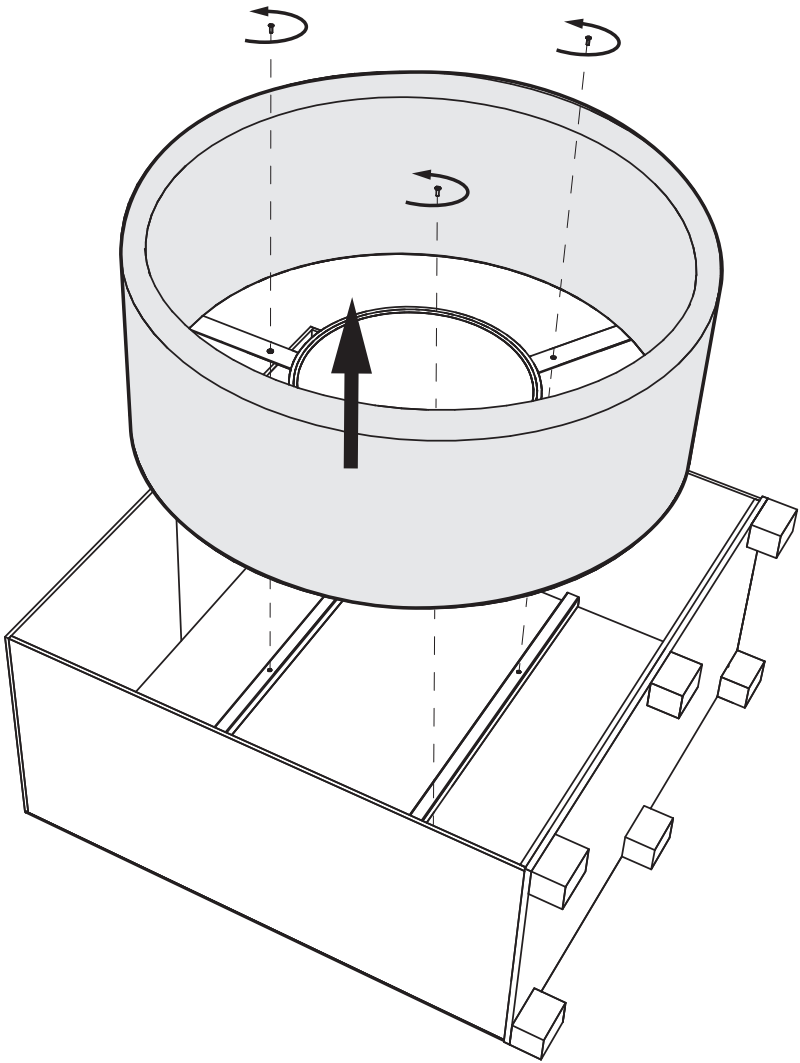
For dimmable function



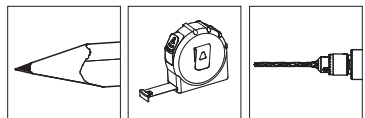
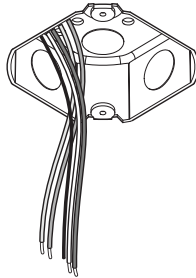
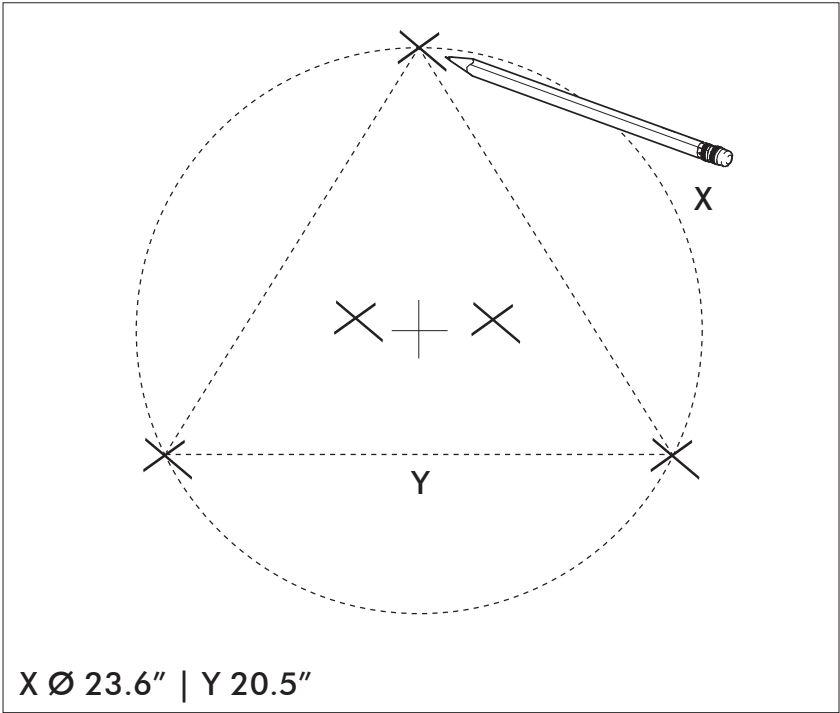
2 PERS. 



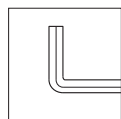
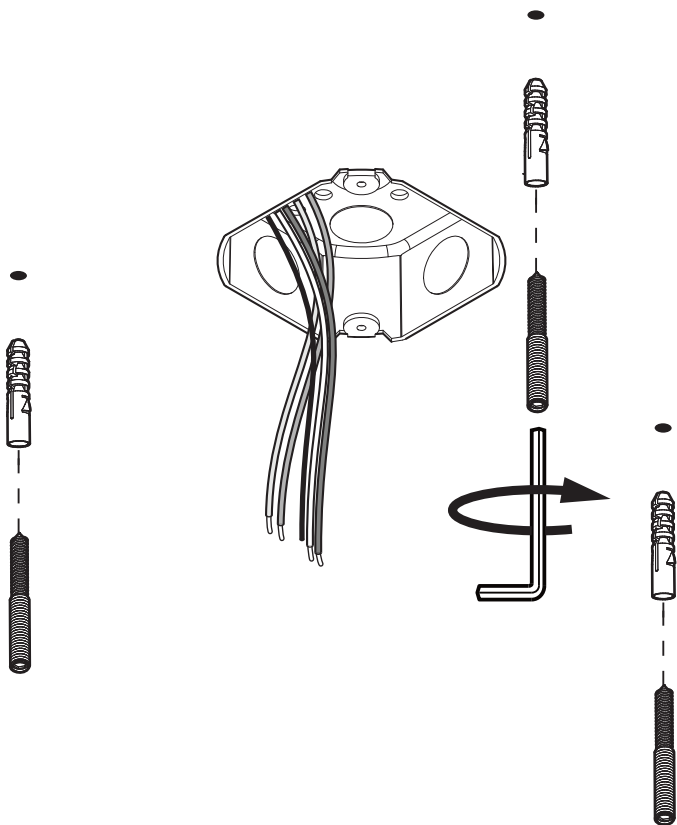
4



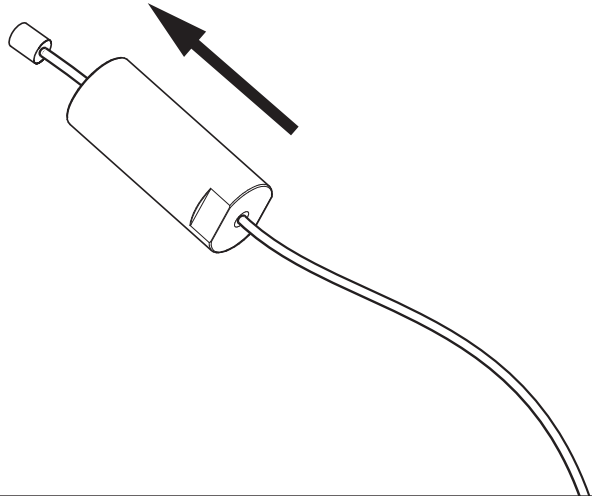
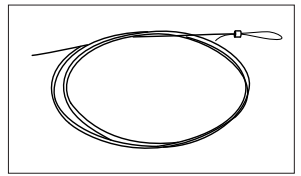
5



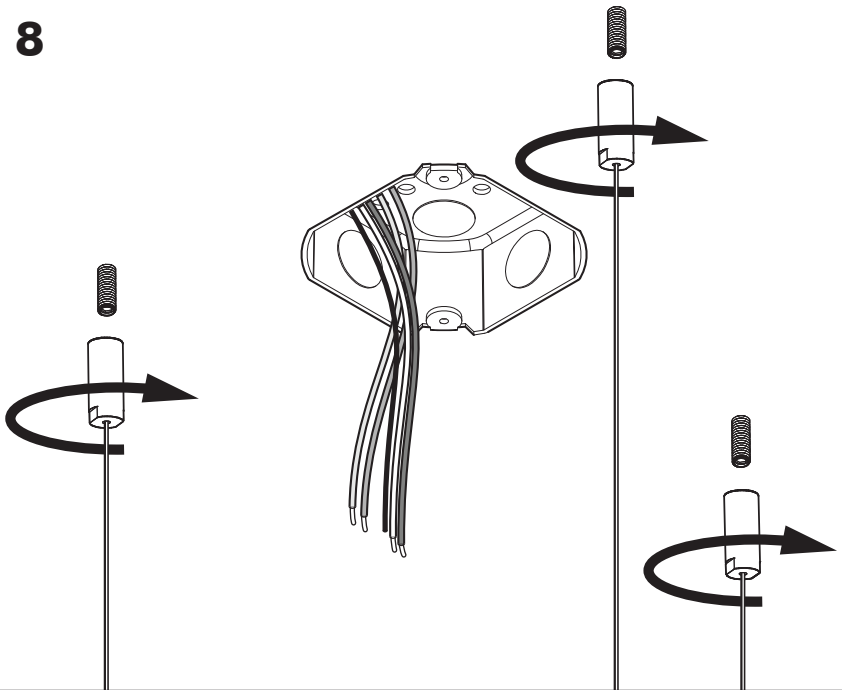
6



7

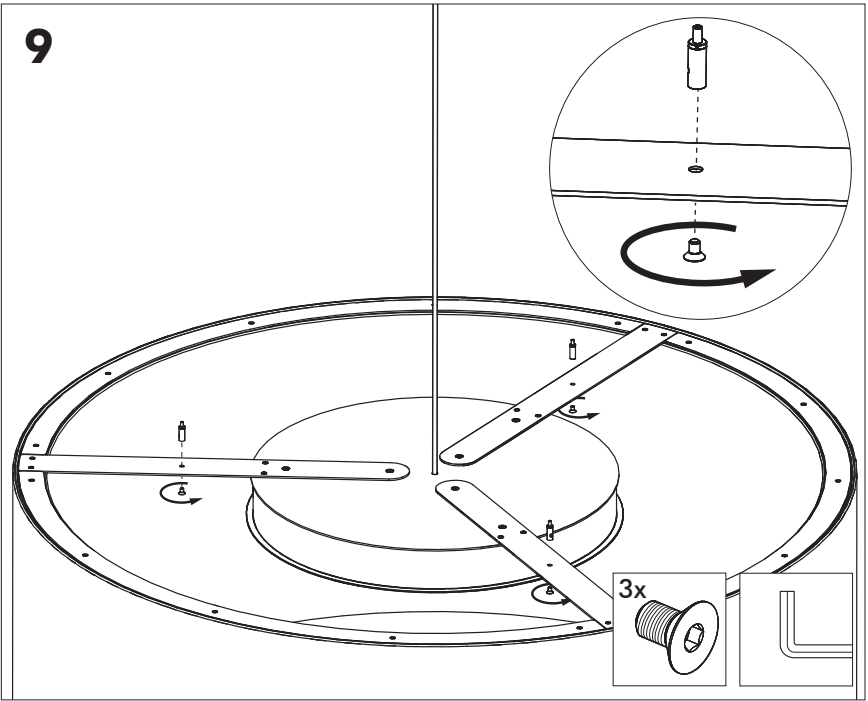


8

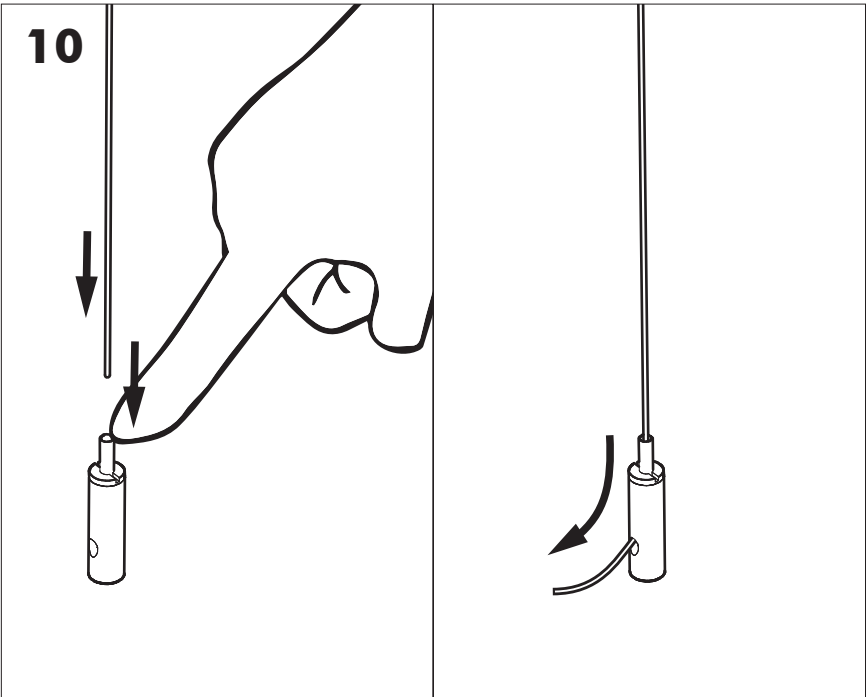


8

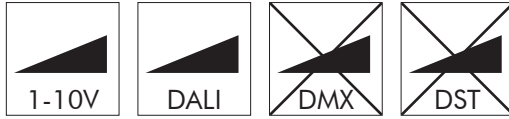
9



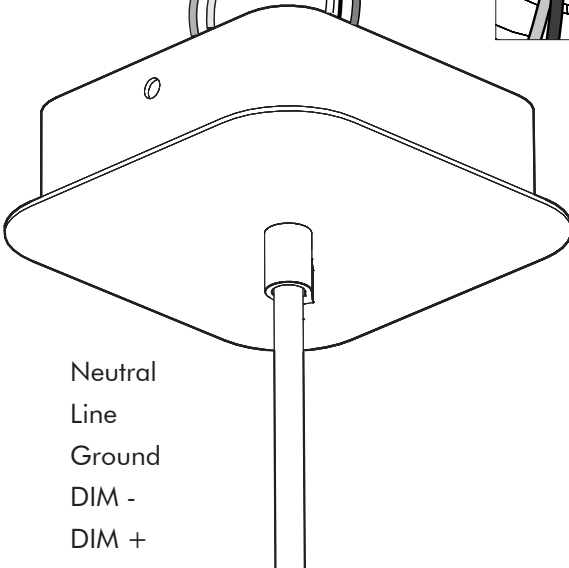
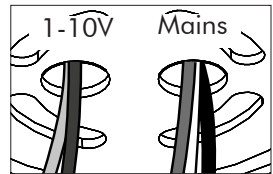
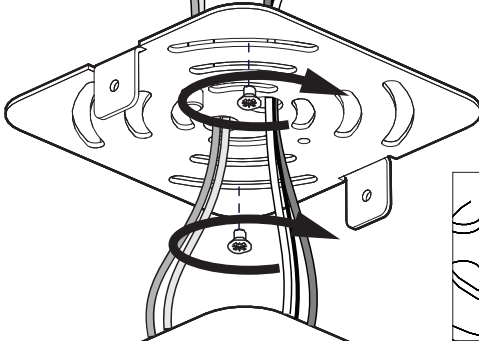
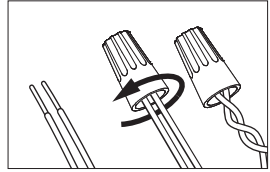
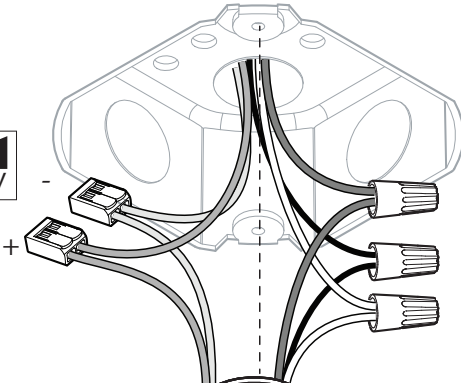
10



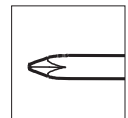
11a



Connection including dimmable function

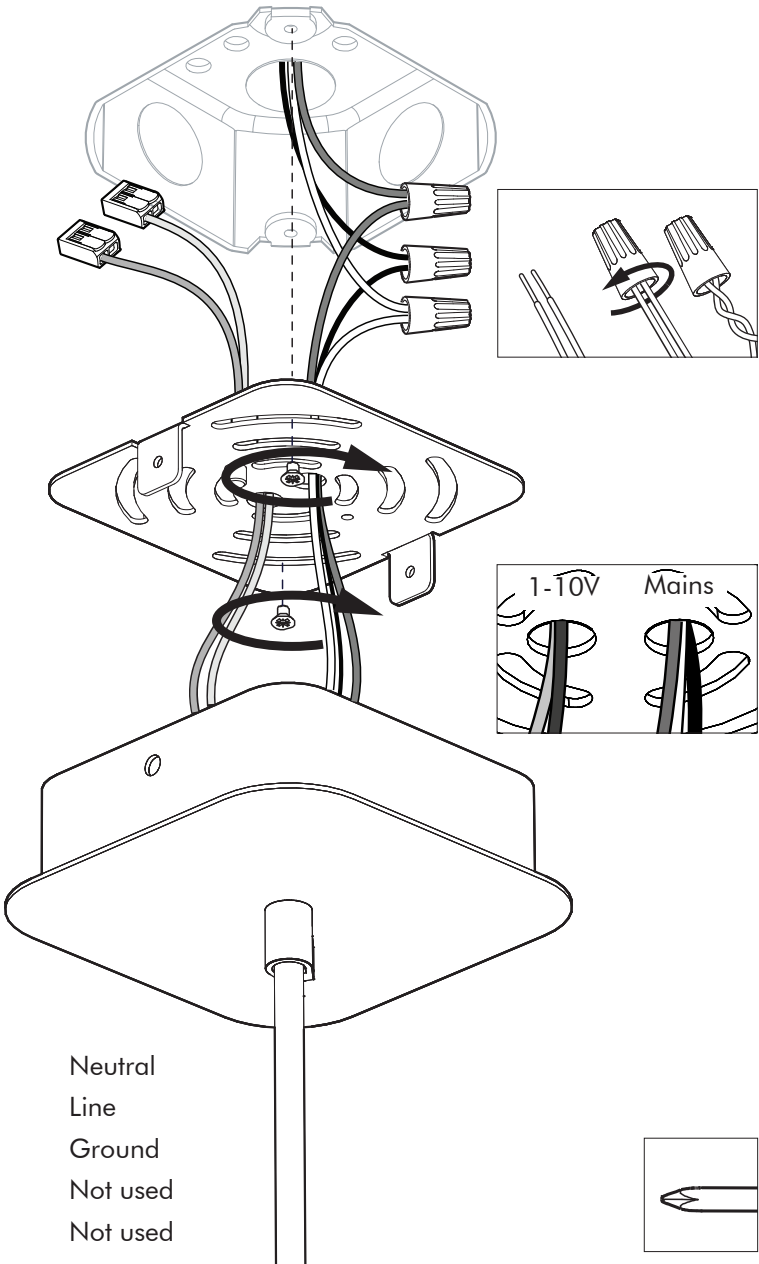


- | | |
|--------|---------|
| White | Neutral |
| Black | Line |
| Green | Ground |
| Red | DIM - |
| Purple | DIM + |

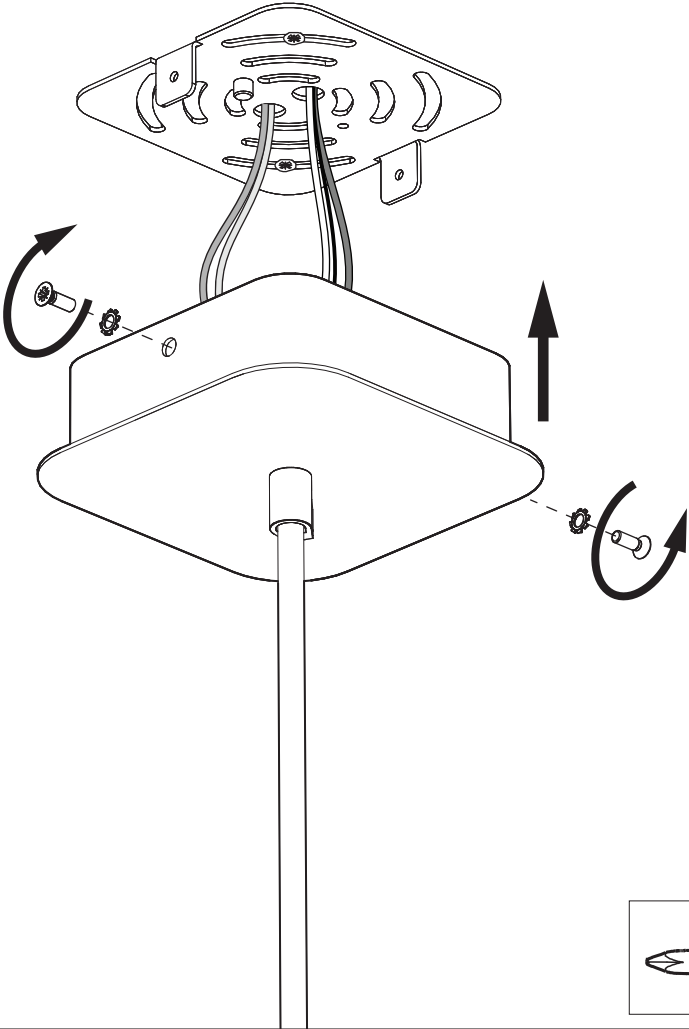


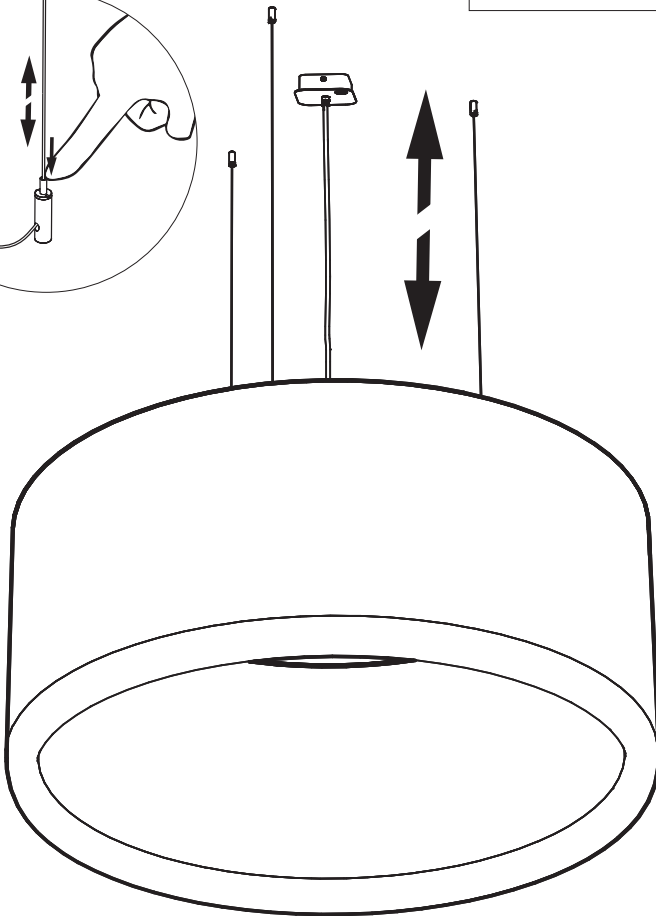
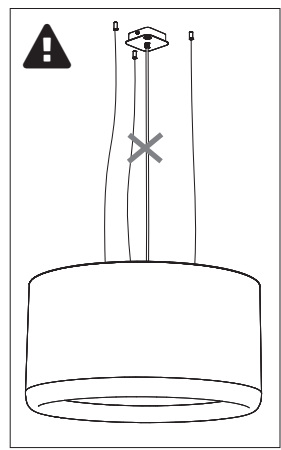
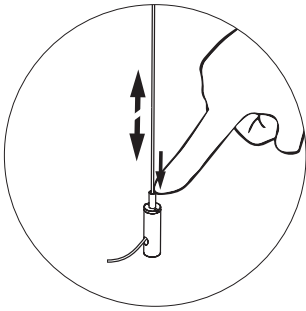
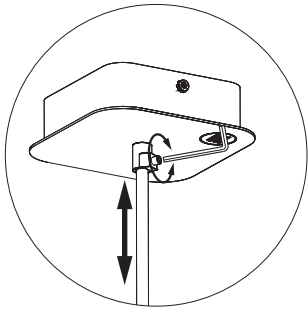
11b

Connection excluding dimmable function



12





BuzziSpace Group NV
Italiëlei 8, 2000 Antwerp
Belgium

☎ +32 (0)3 846 10 00

✉ info@buzzi.space

🌐 www.buzzi.space



A-0000007797/01
Last update: 01/12/2023