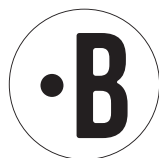
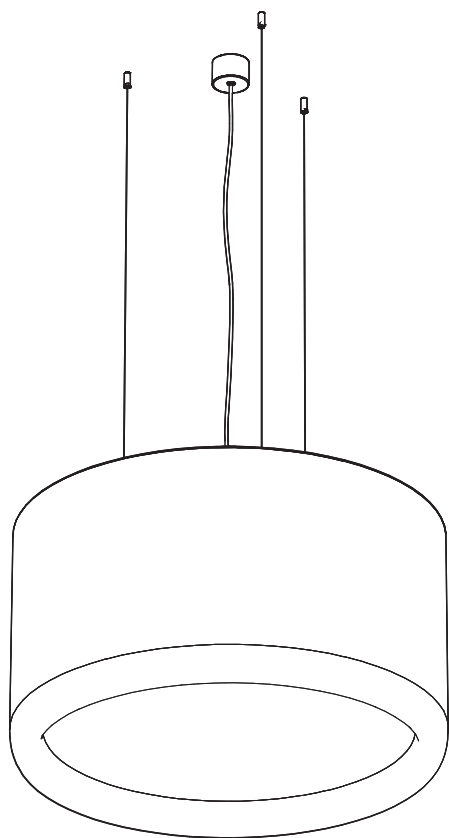


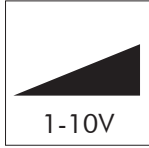
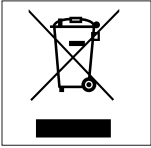
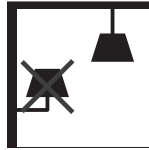
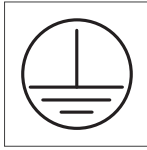
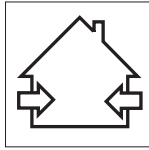
BuzziJet Ceiling Suspended S | M

INSTALLATION MANUAL

230V



Technical info

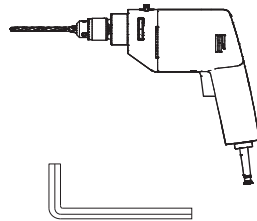
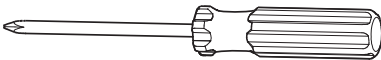
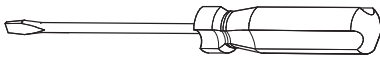


Environmental Protection

Waste electrical products should not be disposed of with household waste. Please recycle where facilities exist. Check with your Local Authority or retailer for recycling advice.

⚠ The light source of this luminaire is not replaceable; when the light source reaches its end of life the whole luminaire shall be replaced.

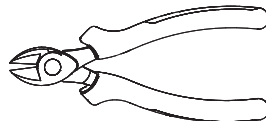
Excluded



Straight 5x
Split 3x

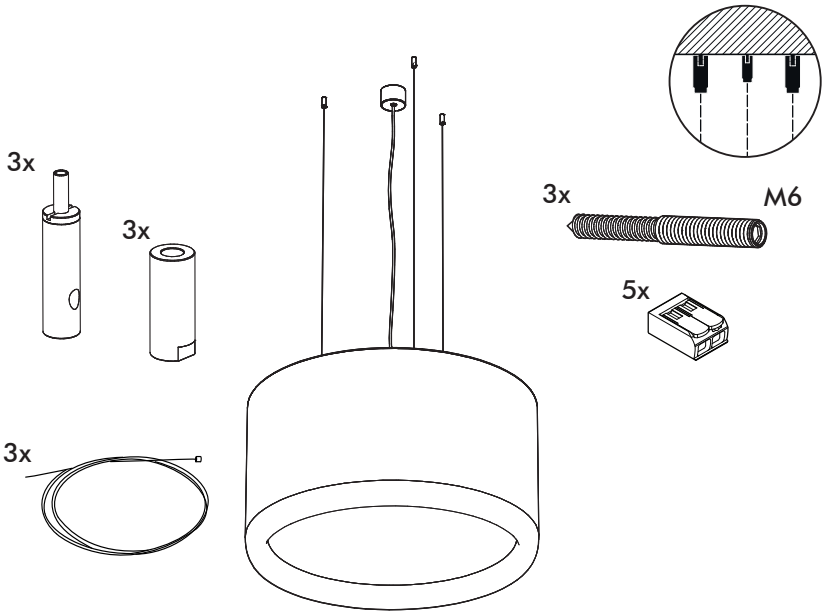


Straight 2x
Split 2x



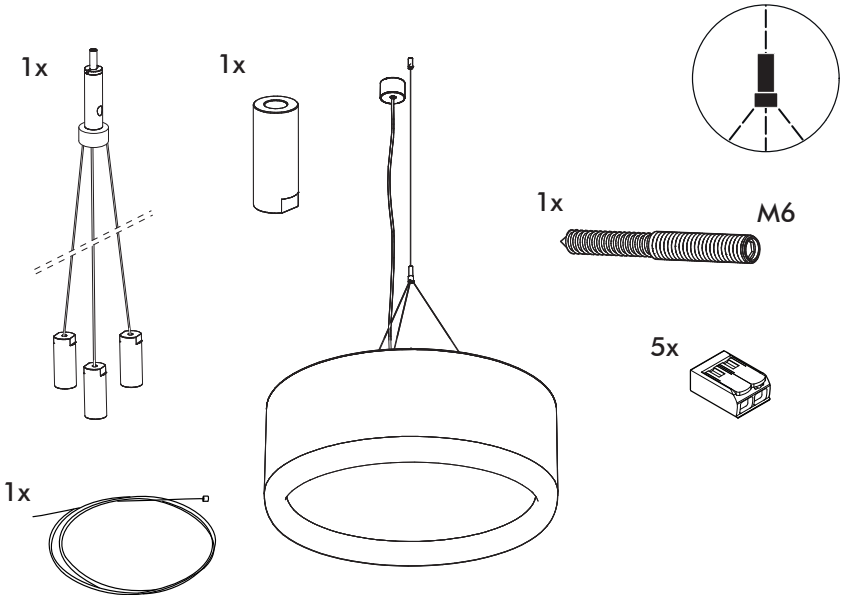
Included BuzziJet Ceiling Suspended Straight

p.4

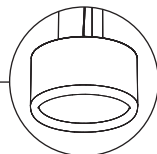


Included BuzziJet Ceiling Suspended Split

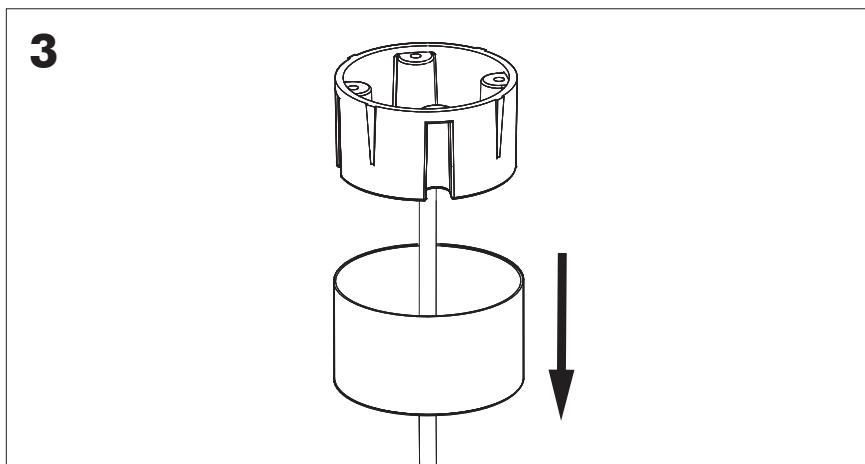
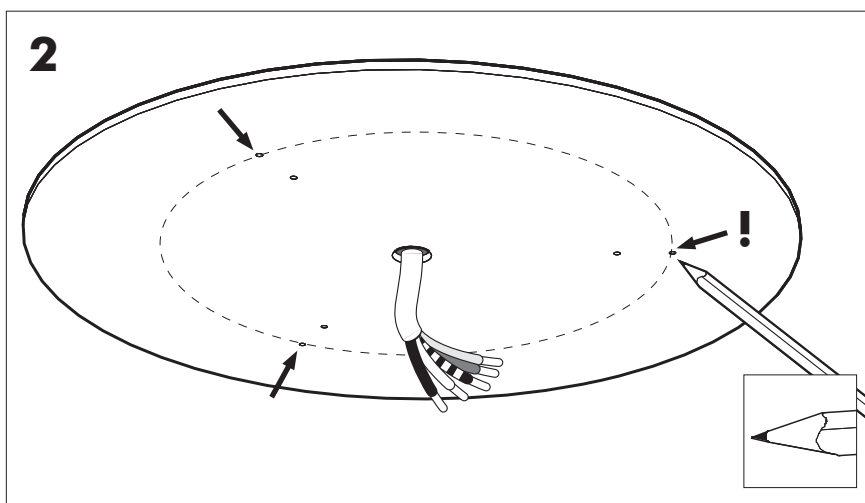
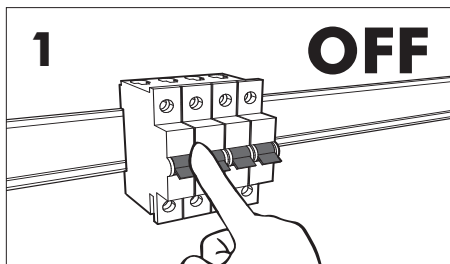
p.12



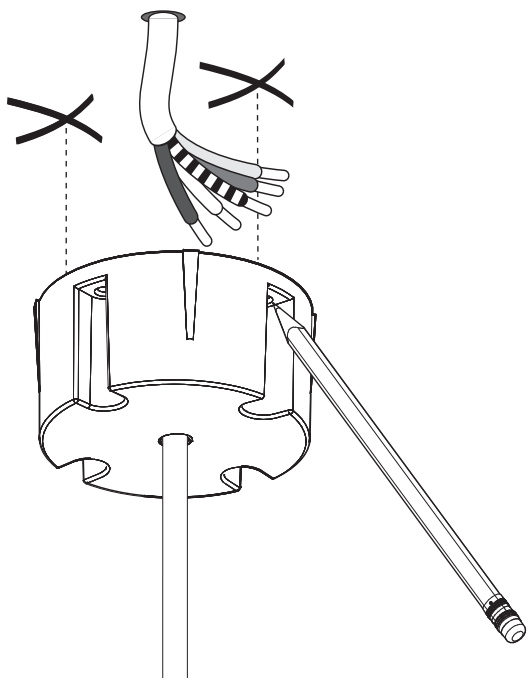
BuzziJet Ceiling Suspended Straight



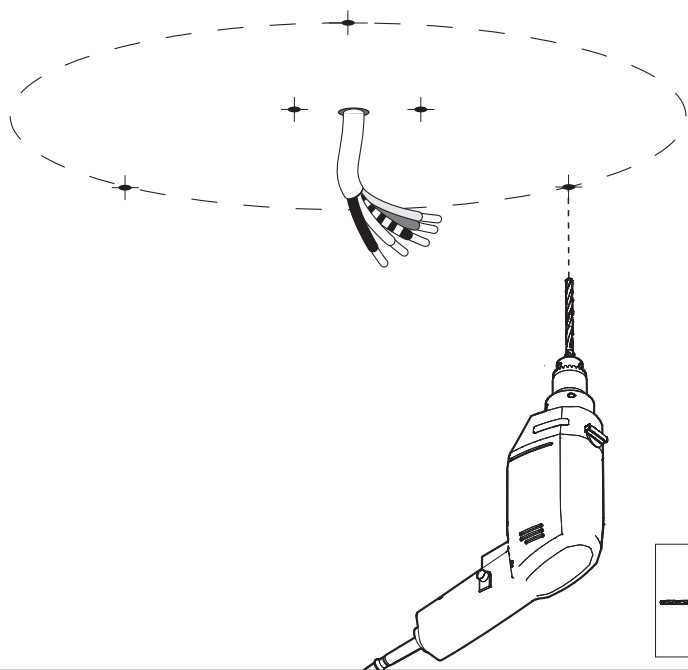
2 PERS. 



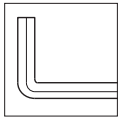
4



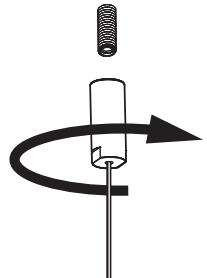
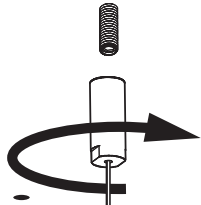
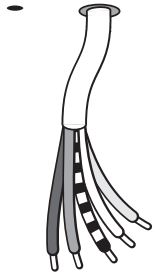
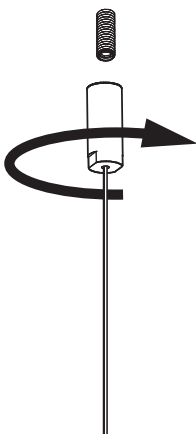
5



4

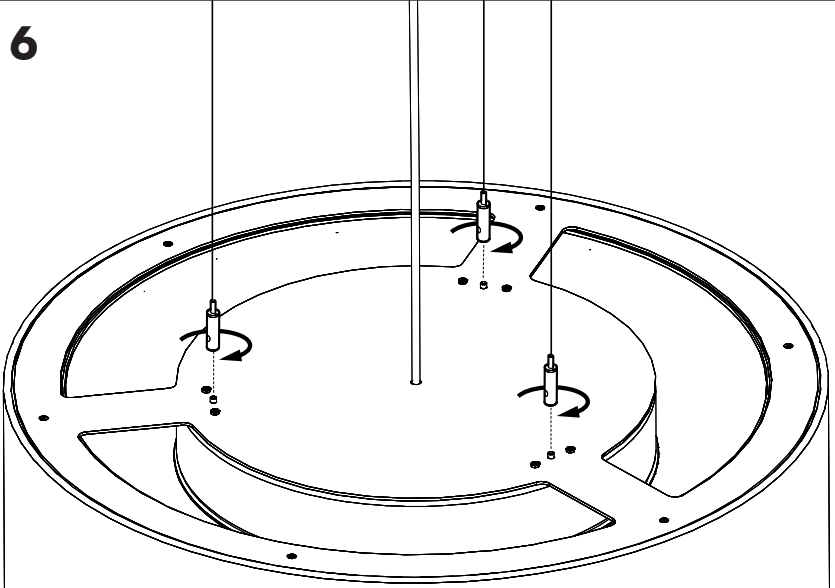


5

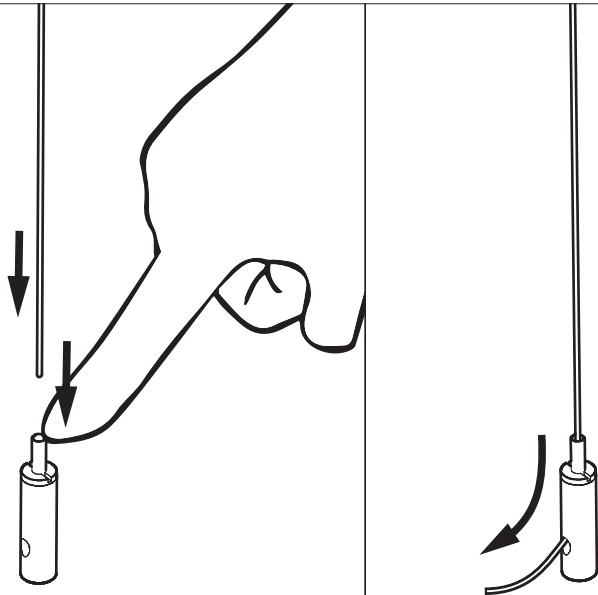


6

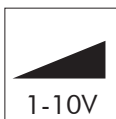
6



7



8a



1-10V



DALI



DMX



DST

Connection including dimmable function



1-10V

Dim+

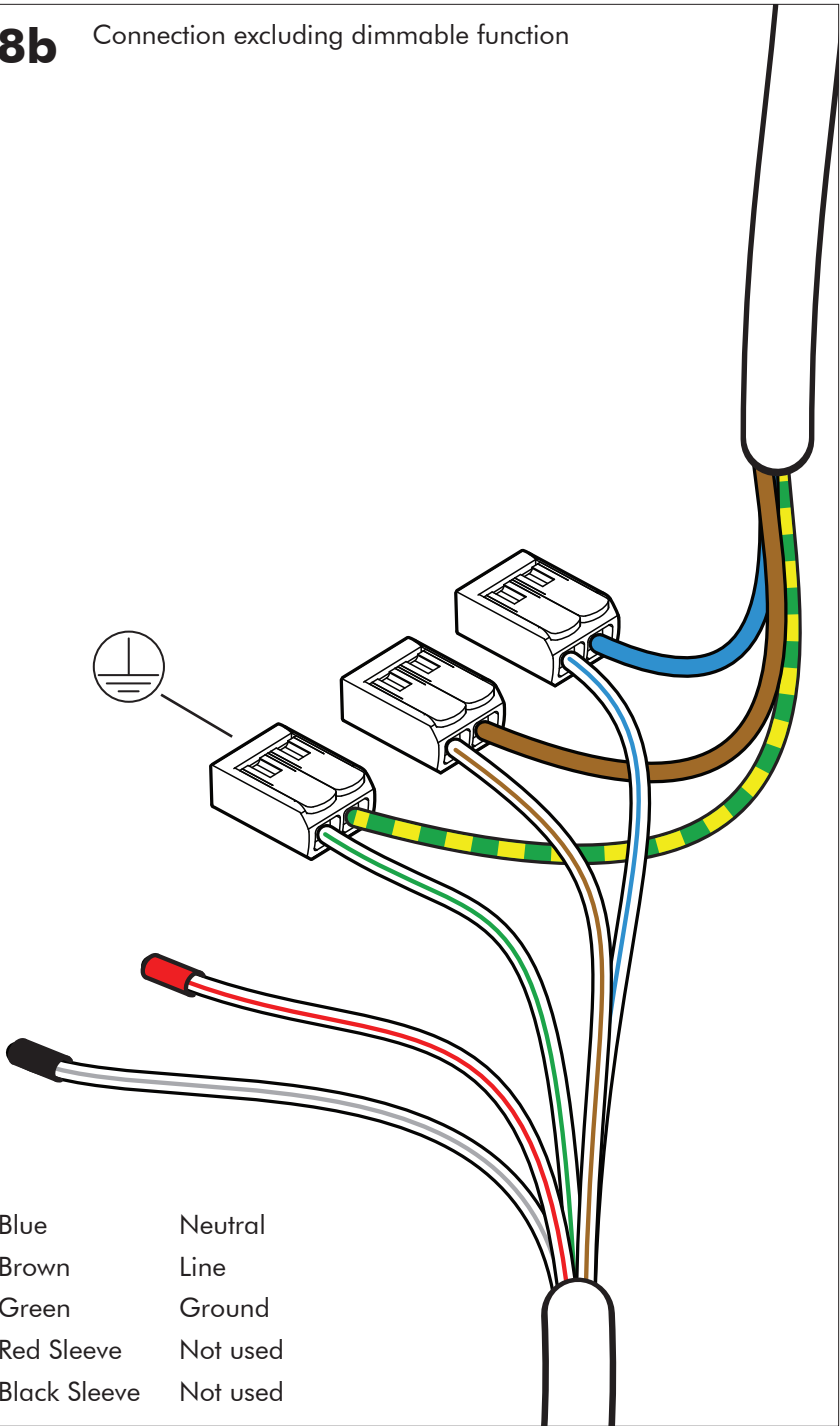


Dim-

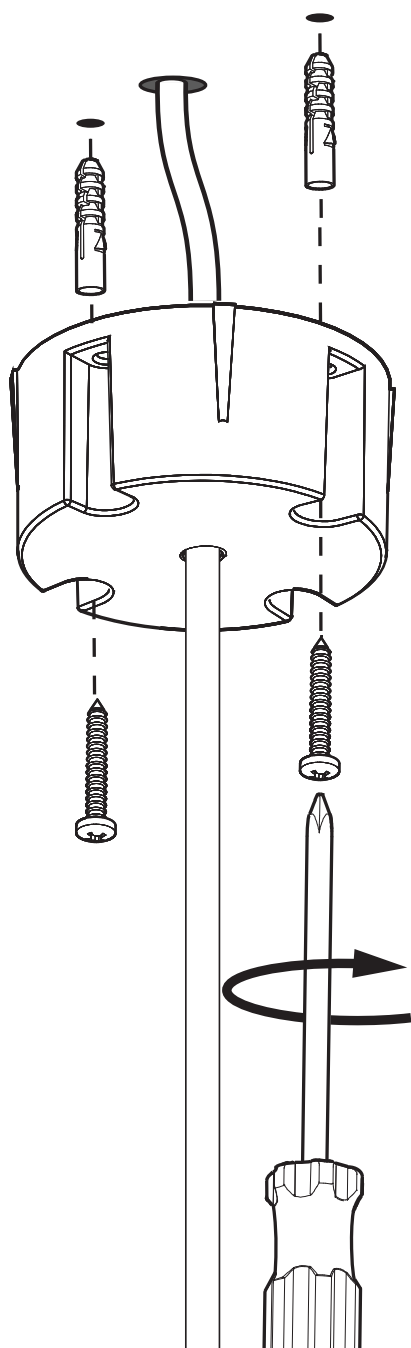
Blue	Neutral
Brown	Line
Green	Ground
Red Sleeve	DIM +
Black Sleeve	DIM -

8b

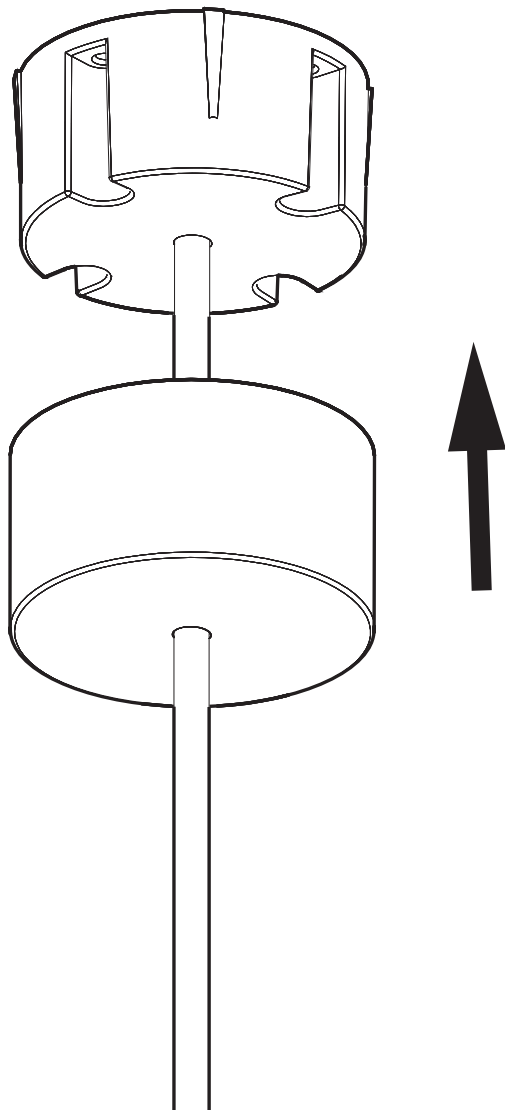
Connection excluding dimmable function

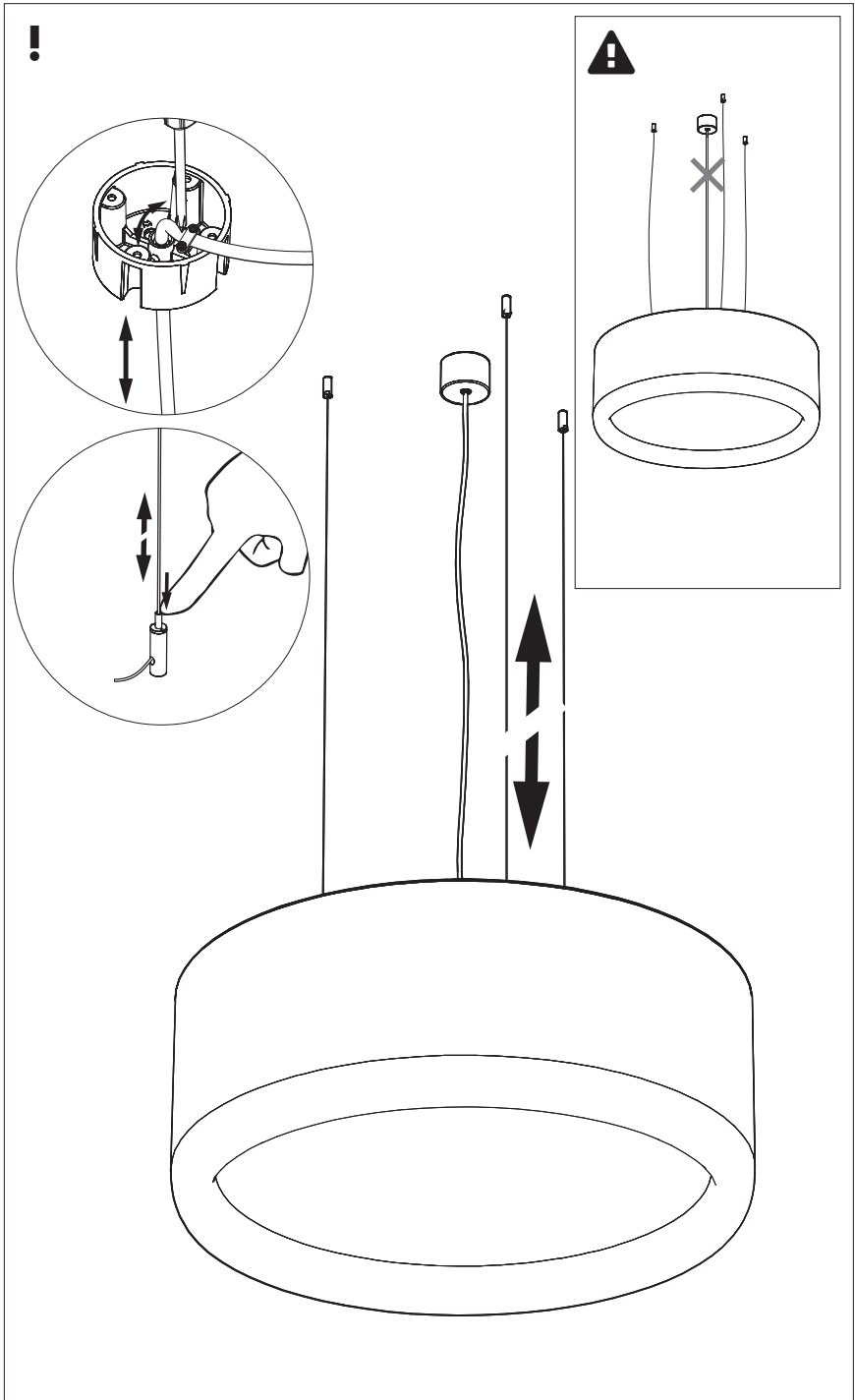


9

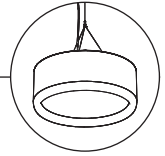


10

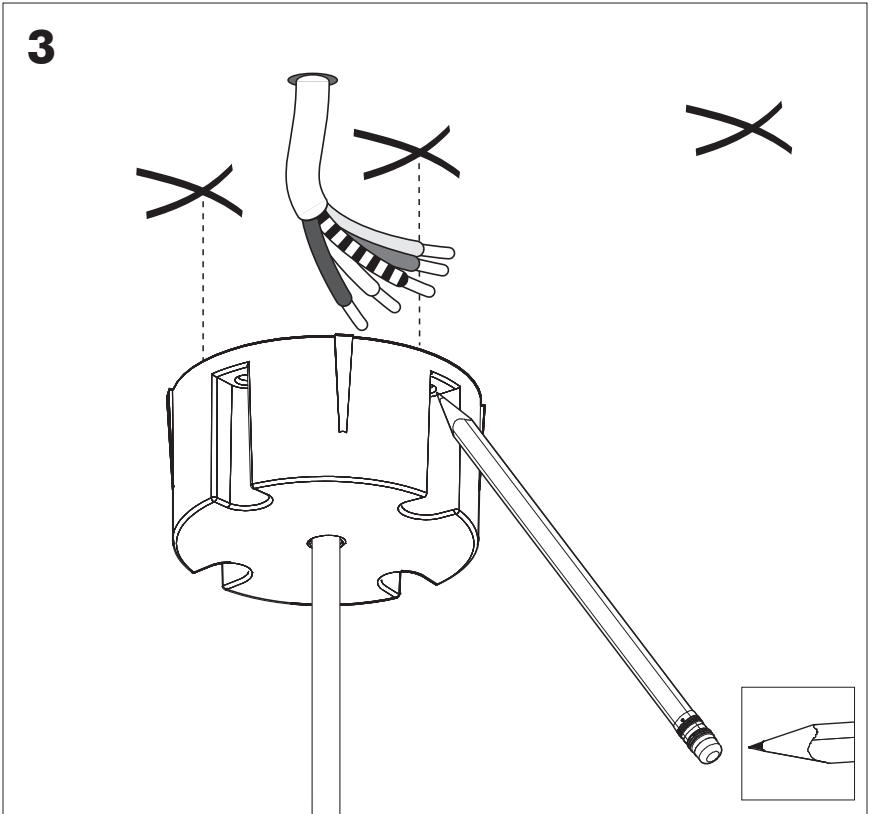
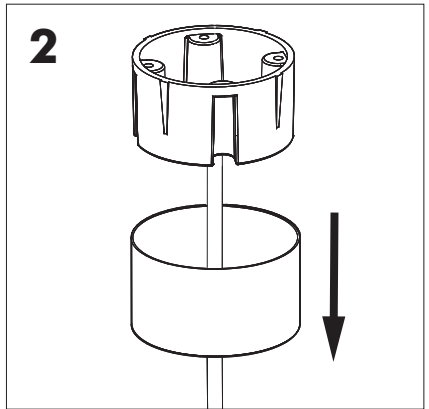
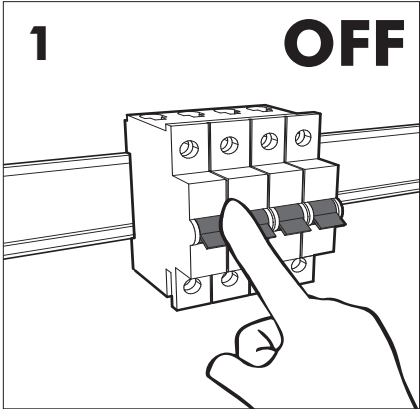




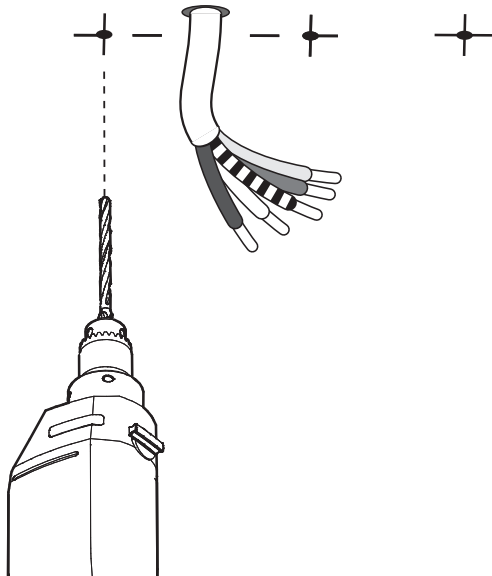
BuzziJet Ceiling Suspended Split



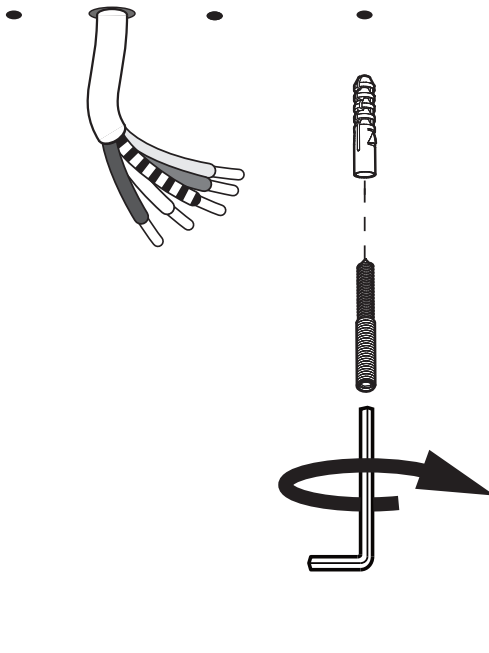
2 PERS. 



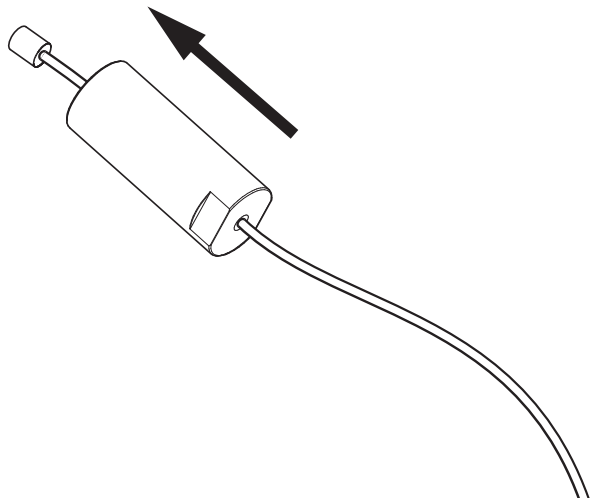
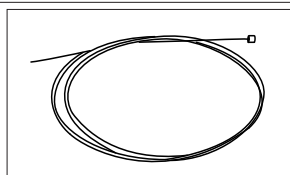
4



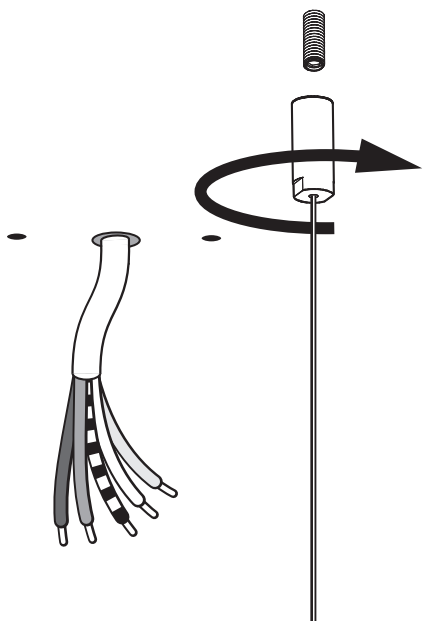
5



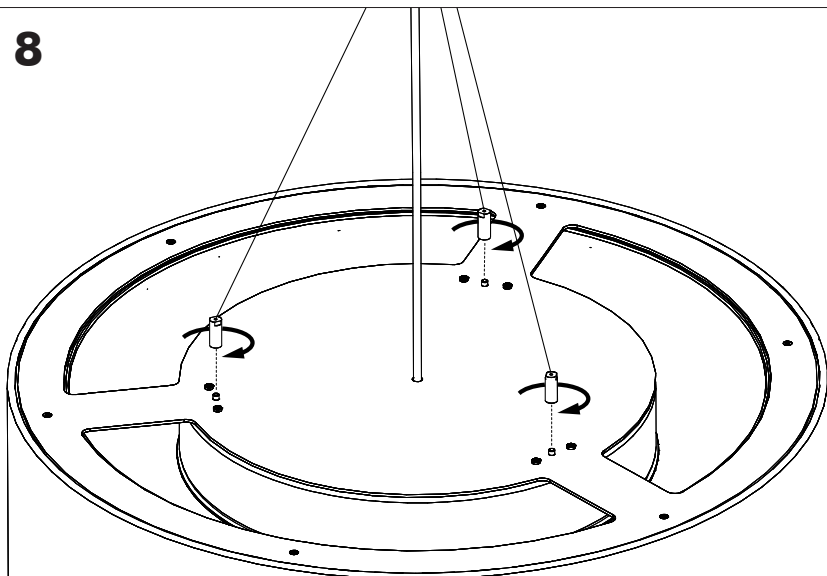
6



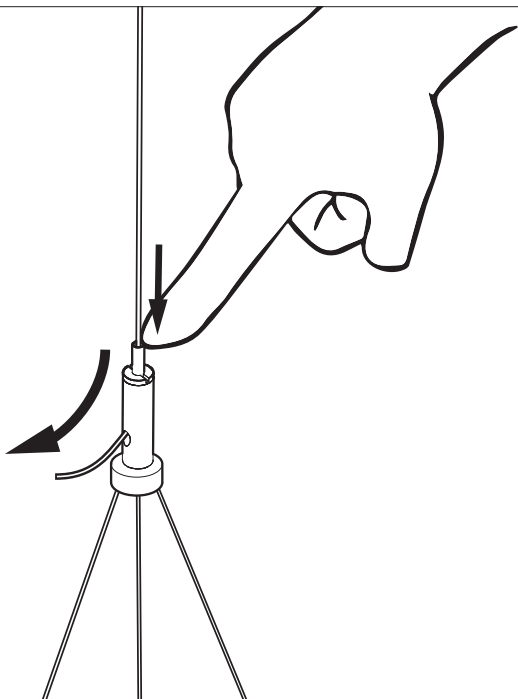
7



8



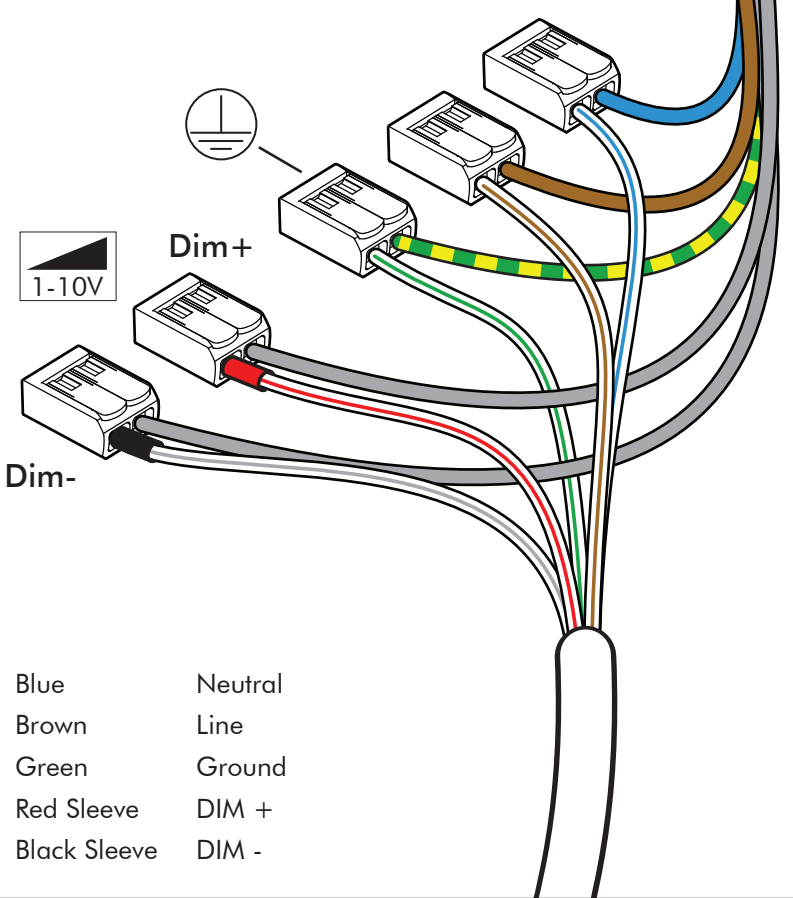
9



10a

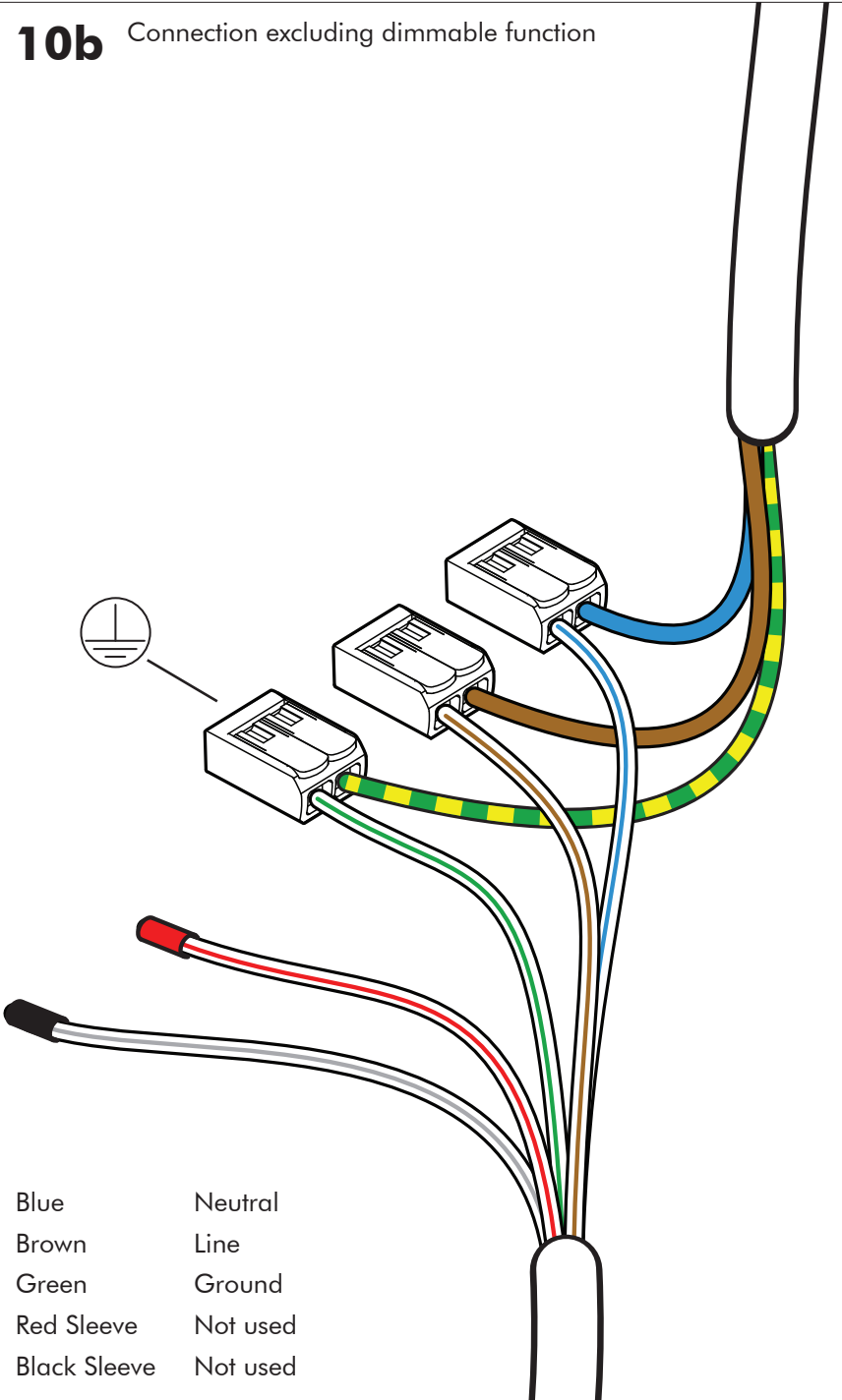


Connection including dimmable function



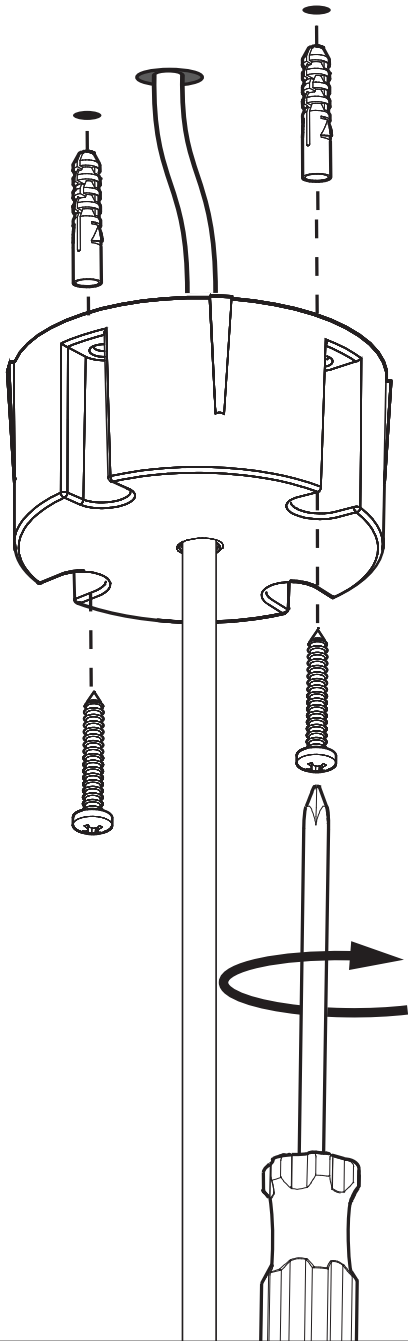
- | | |
|--------------|---------|
| Blue | Neutral |
| Brown | Line |
| Green | Ground |
| Red Sleeve | DIM + |
| Black Sleeve | DIM - |

10b Connection excluding dimmable function

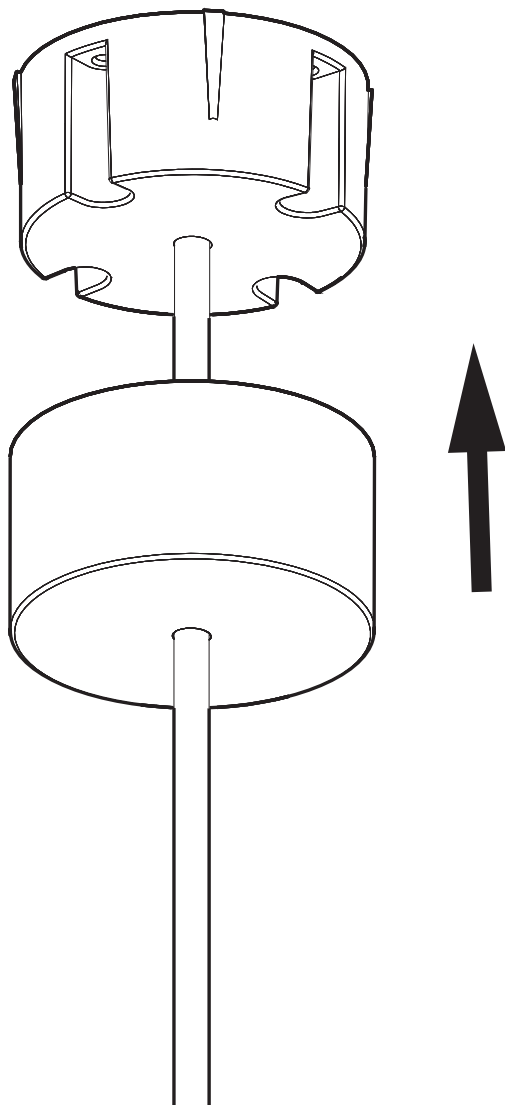


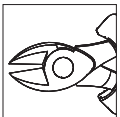
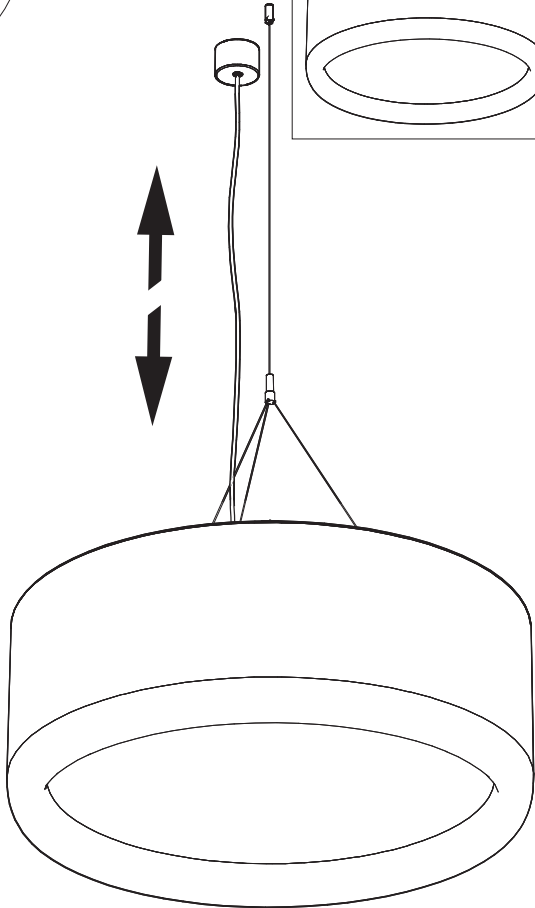
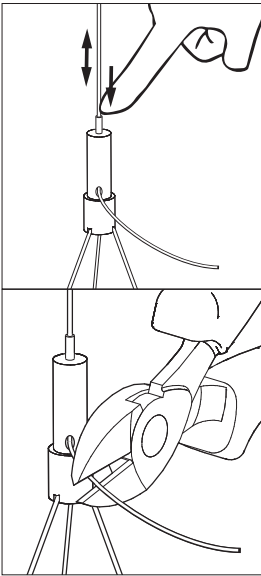
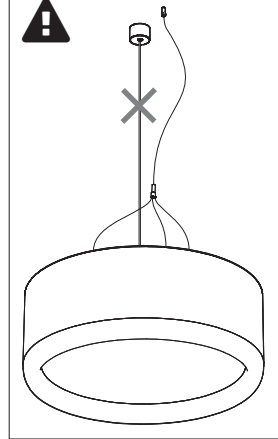
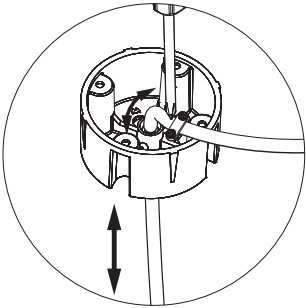
Blue	Neutral
Brown	Line
Green	Ground
Red Sleeve	Not used
Black Sleeve	Not used

11



12





BuzziSpace Group NV
Italiëlei 8, 2000 Antwerp
Belgium

☎ +32 (0)3 846 10 00

✉ info@buzzi.space

🌐 www.buzzi.space



A-0000003386/05
Last update: 01/12/2023