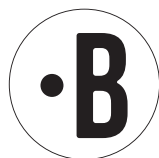
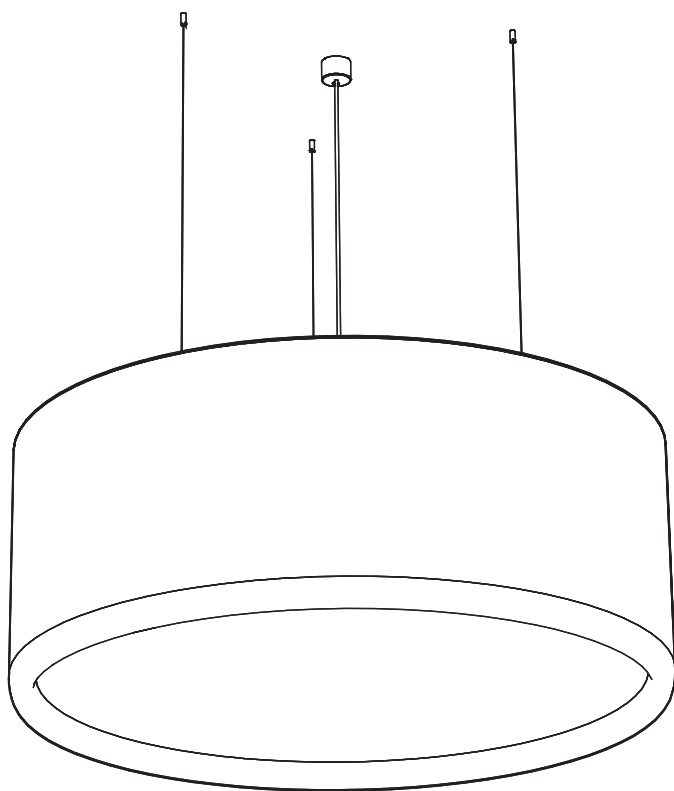


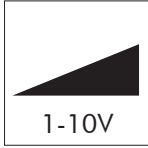
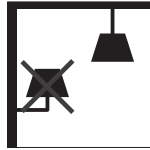
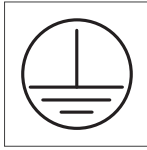
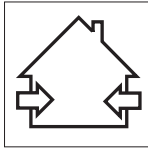
BuzziJet Ceiling Suspended XXL

INSTALLATION MANUAL

230V



Technical info

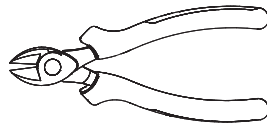
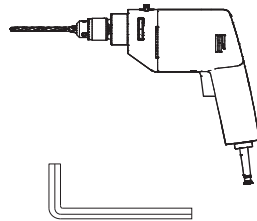
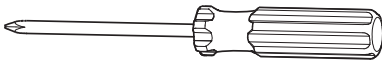
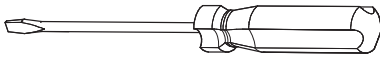


Environmental Protection

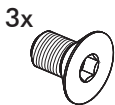
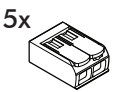
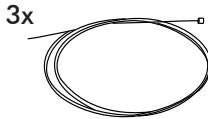
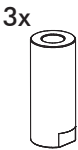
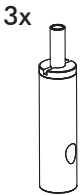
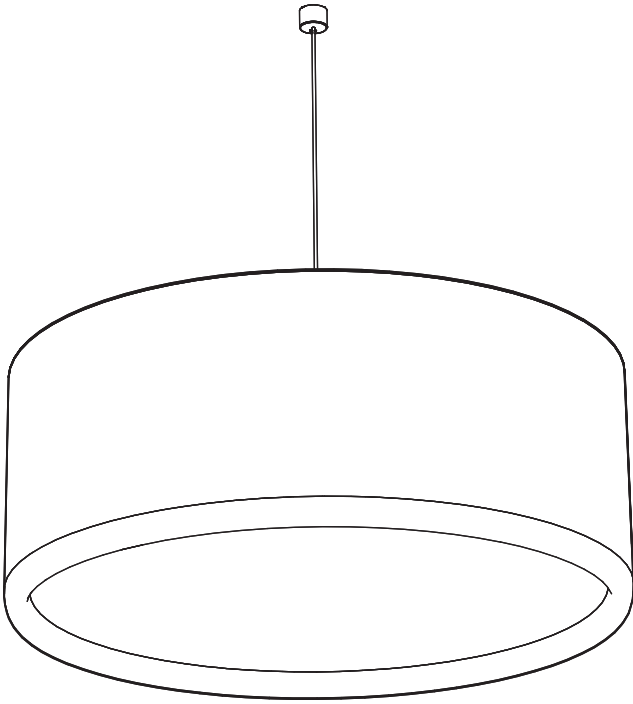
Waste electrical products should not be disposed of with household waste. Please recycle where facilities exist. Check with your Local Authority or retailer for recycling advice.

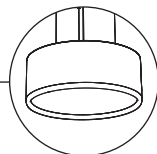
⚠ The light source of this luminaire is not replaceable; when the light source reaches its end of life the whole luminaire shall be replaced.

Excluded

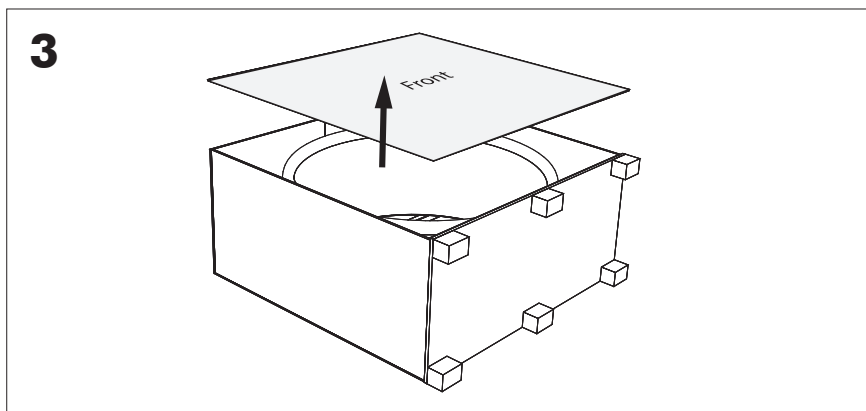
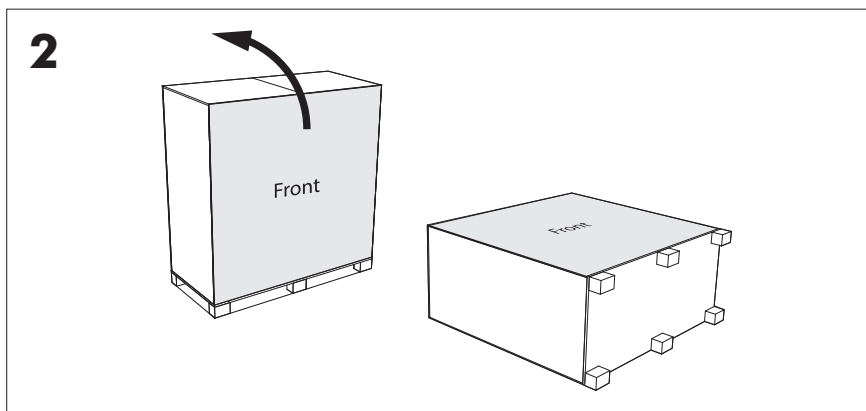
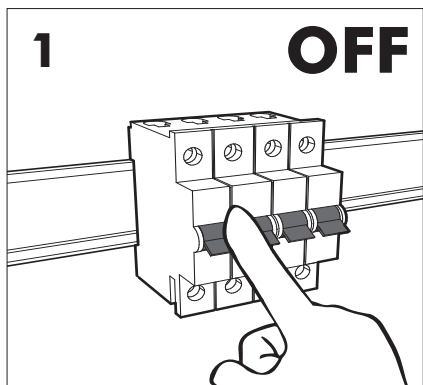


Included BuzziJet Ceiling Suspended XXL

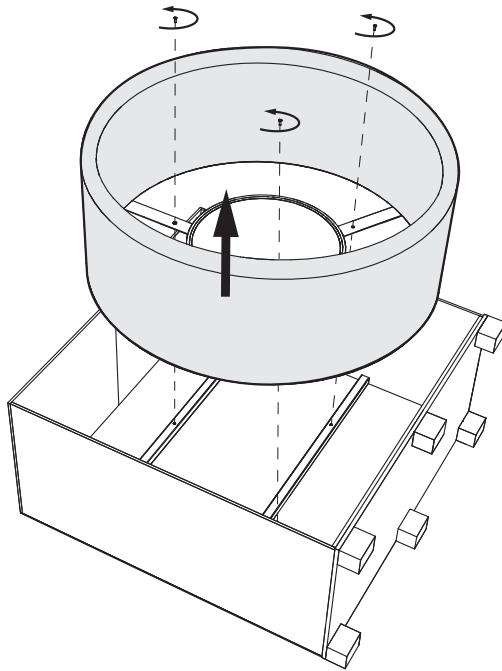




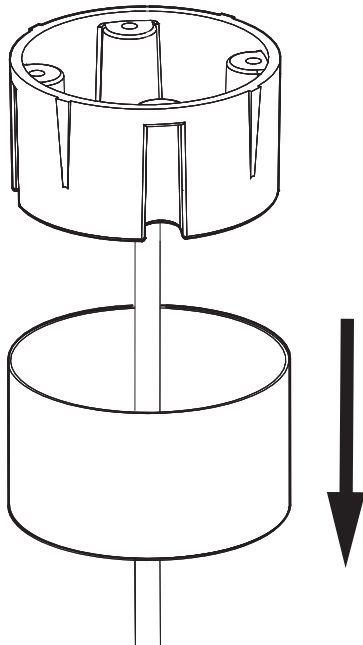
2 PERS.



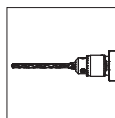
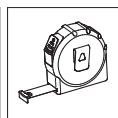
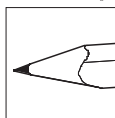
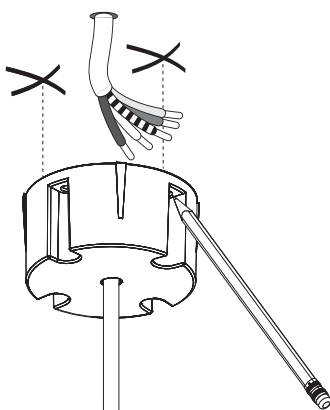
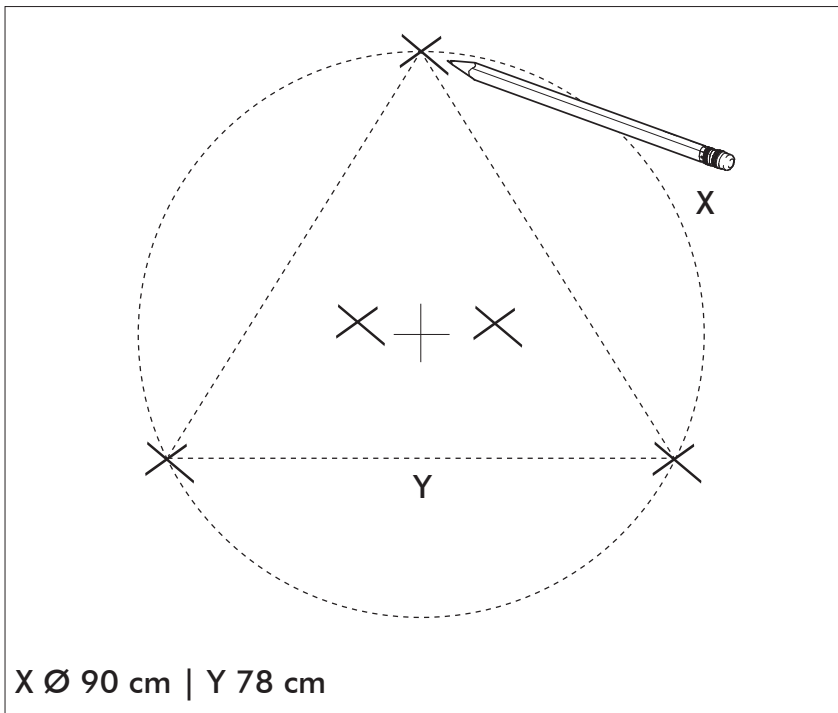
4



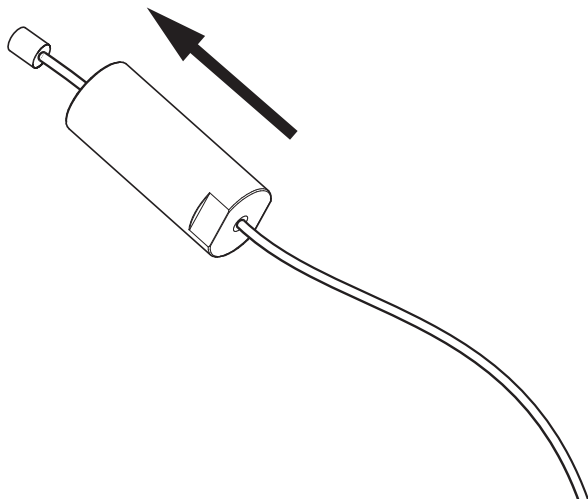
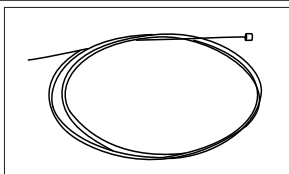
5



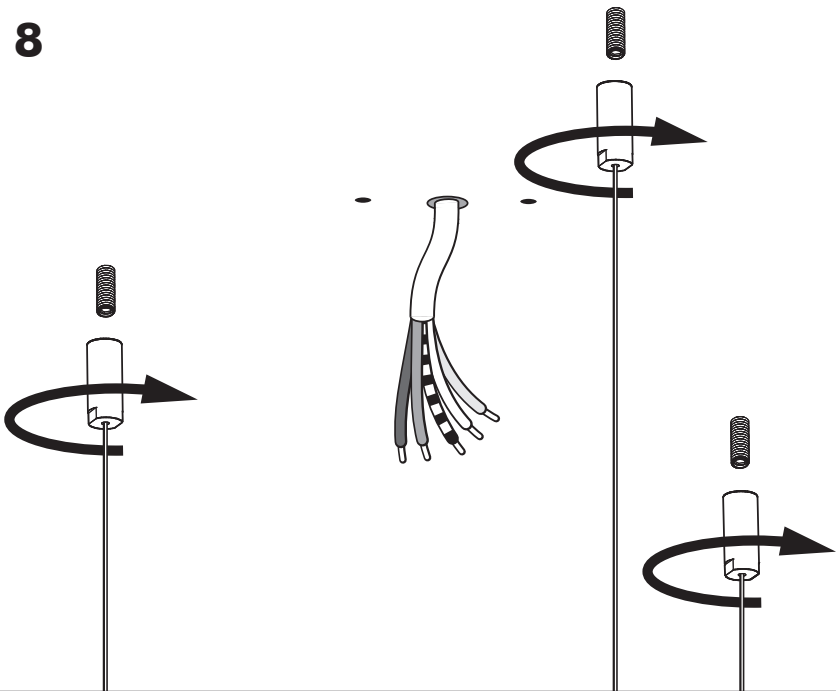
6



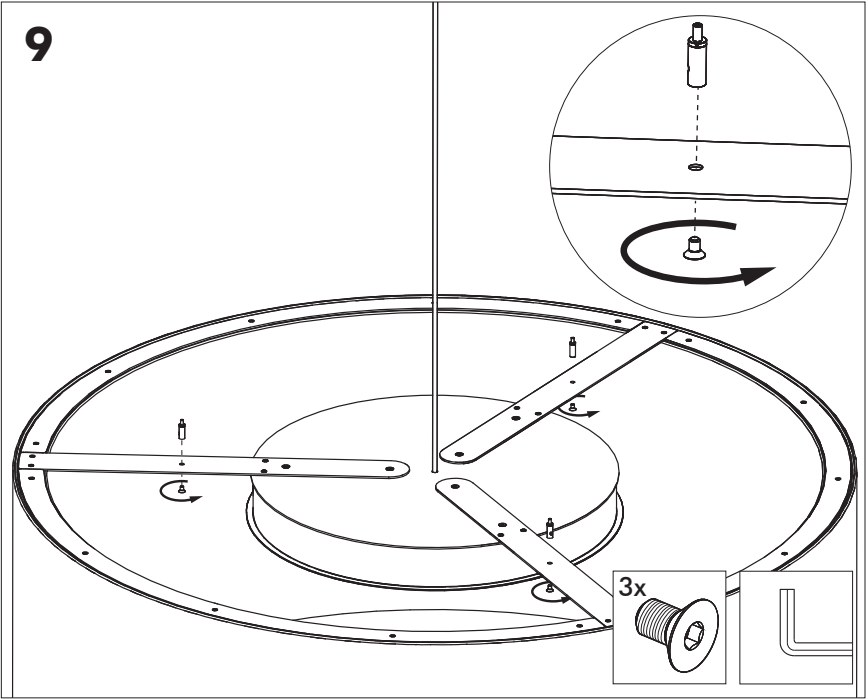
7



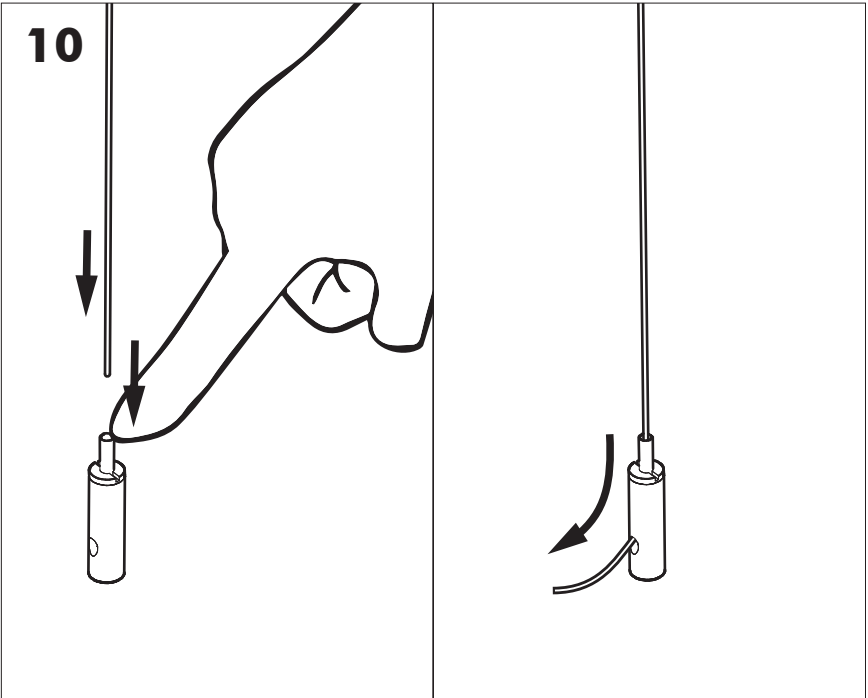
8



9



10



11a



1-10V

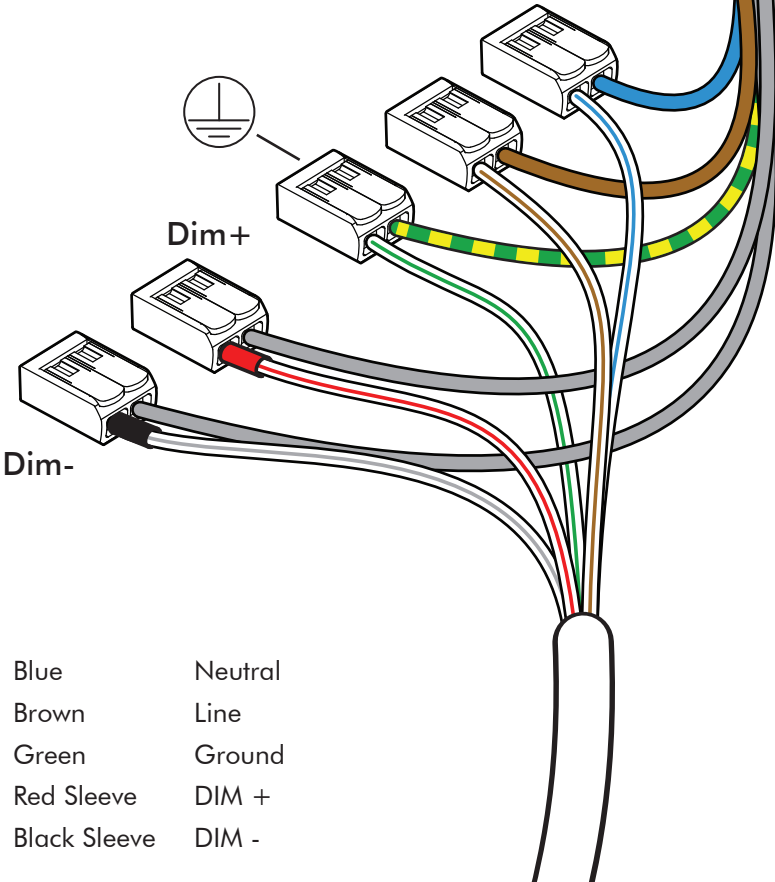


DMX



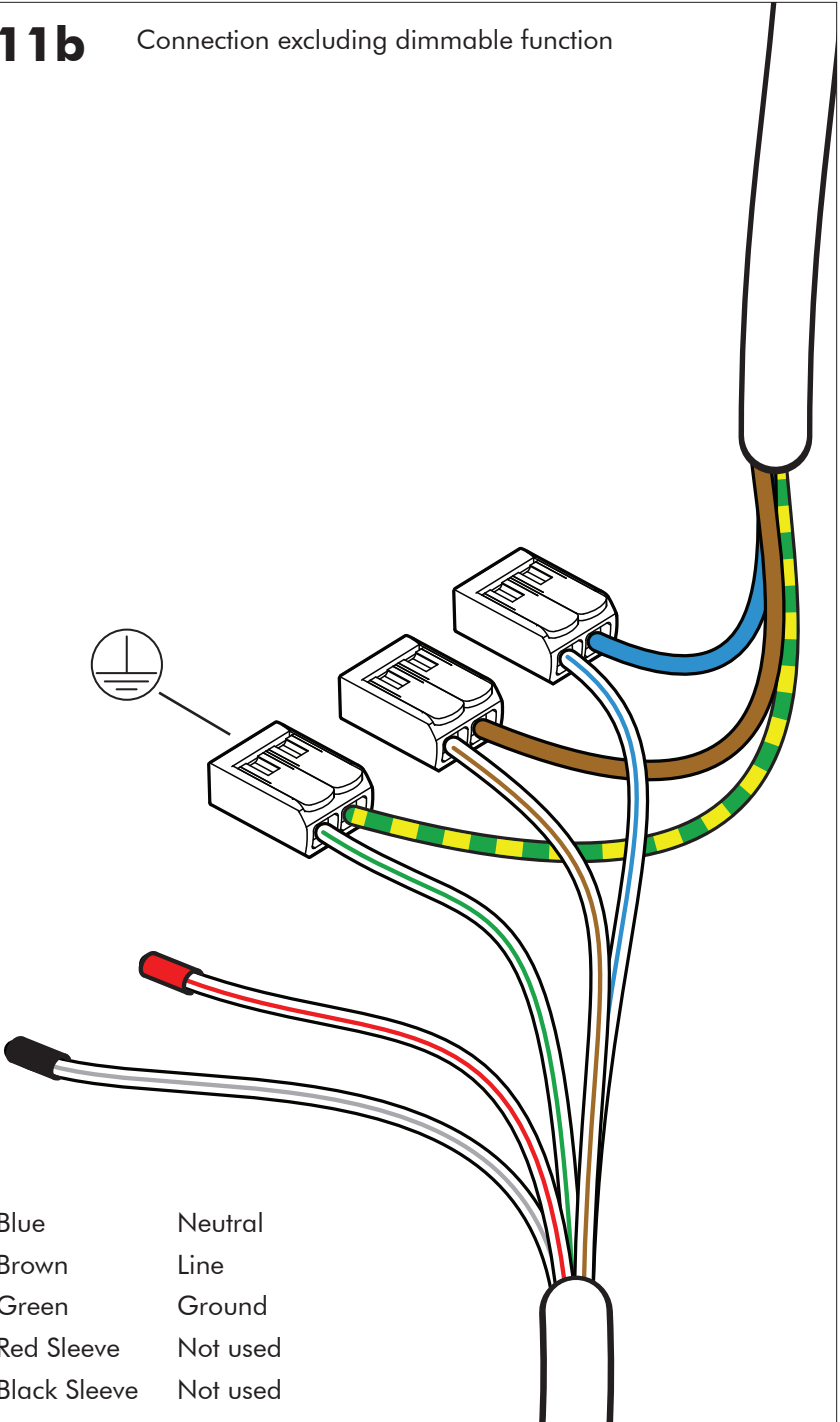
DST

Connection including dimmable function

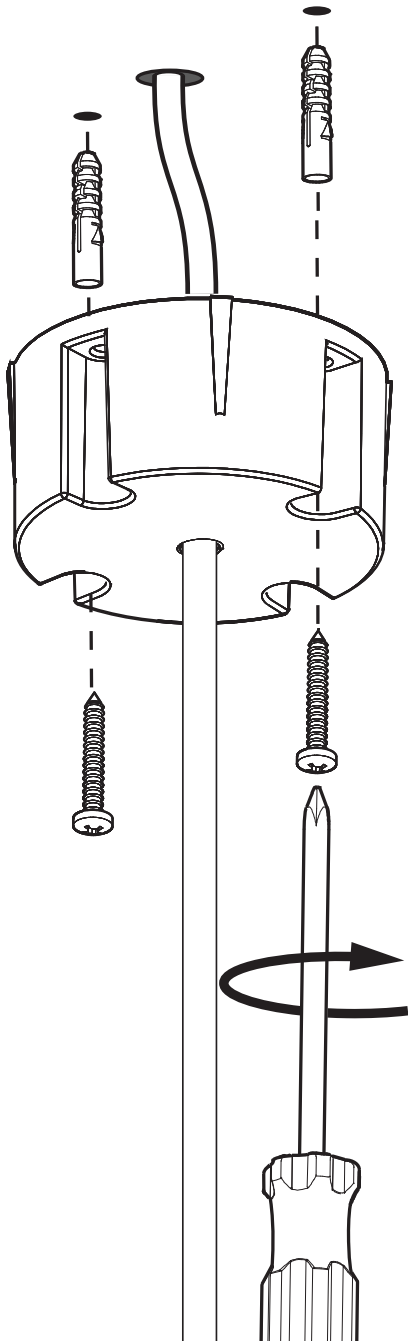


11b

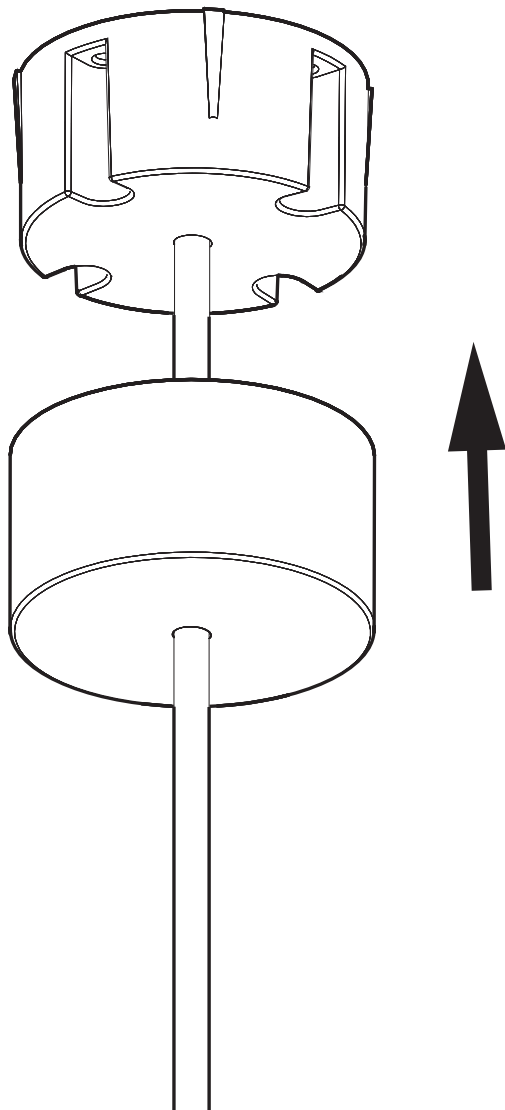
Connection excluding dimmable function

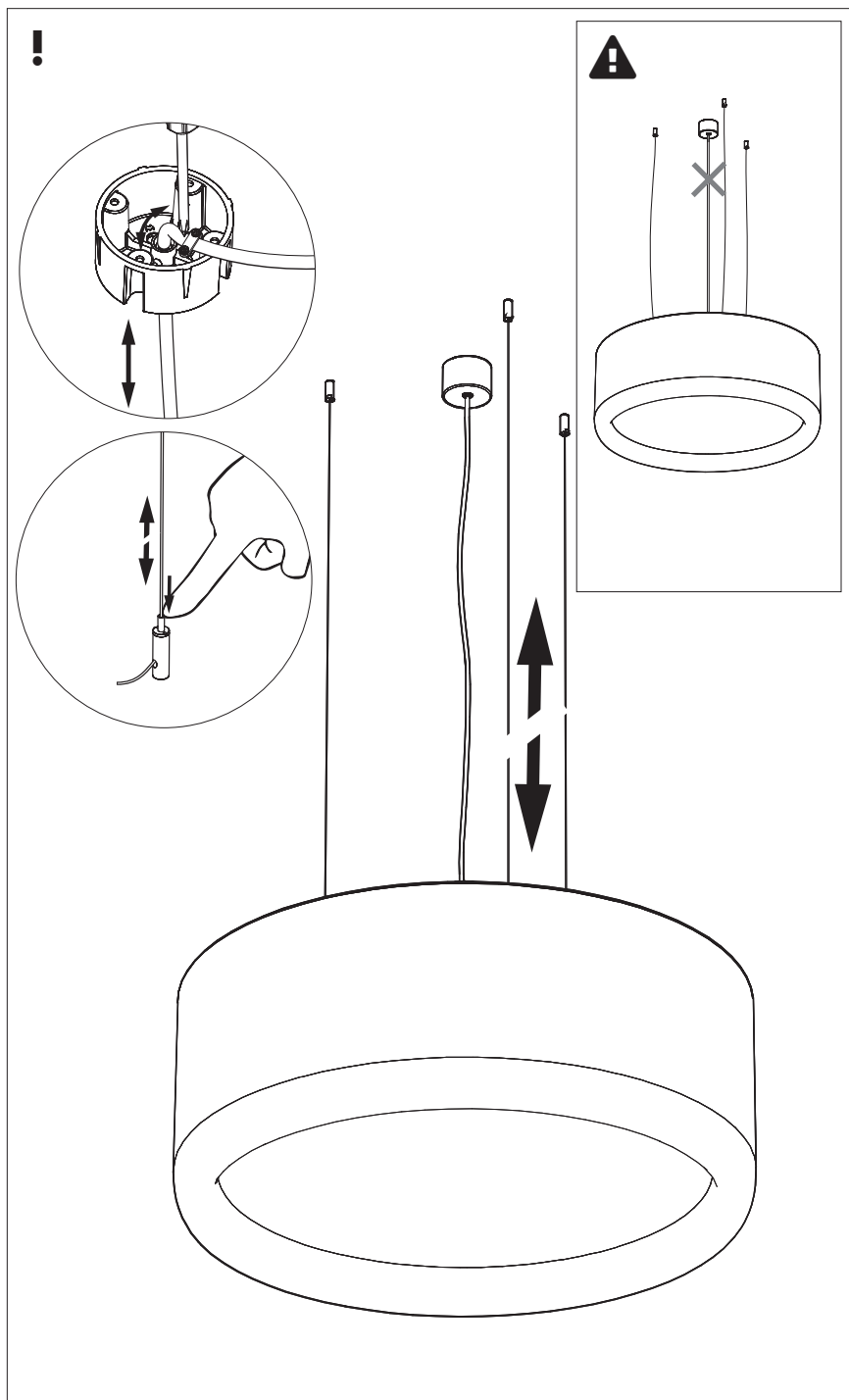


12



13





BuzziSpace Group NV
Italiëlei 8, 2000 Antwerp
Belgium

☎ +32 (0)3 846 10 00

✉ info@buzzi.space

🌐 www.buzzi.space



A-0000007321/02
Last update: 01/12/2023