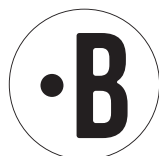
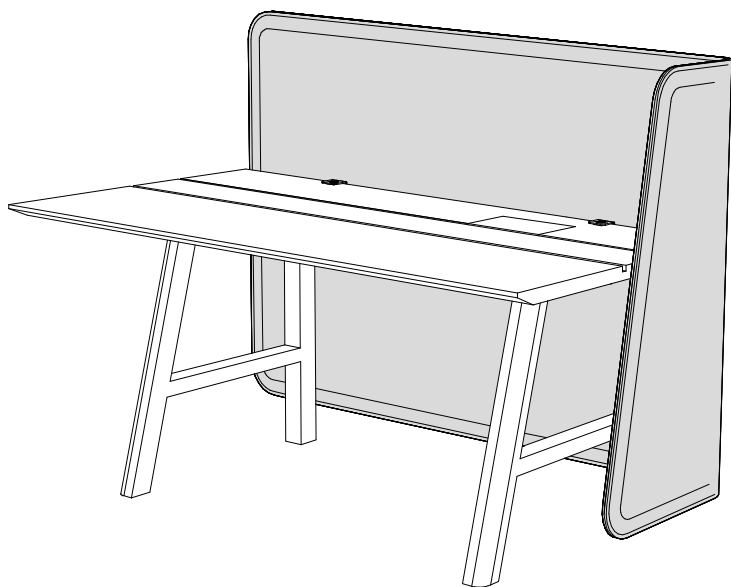


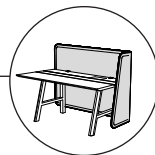
BuzziWrap FrontDesk

Desk Full | Left | Right

INSTALLATION MANUAL



BuzziWrap FrontDesk Full | Left | Right



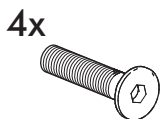
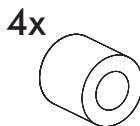
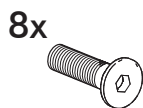
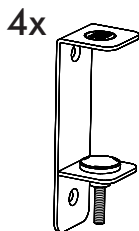
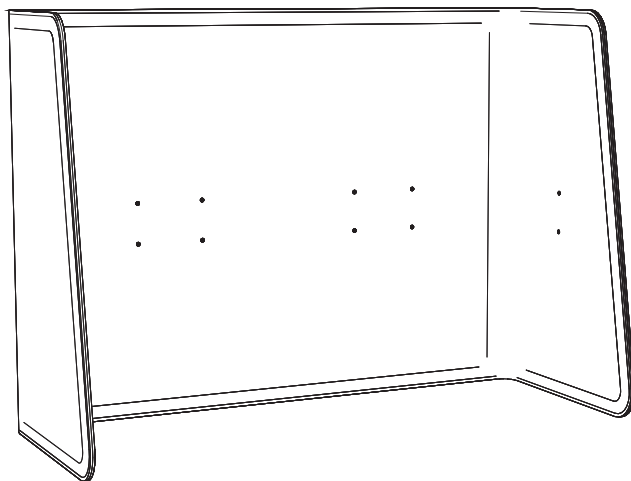
1 PERS. 

Excl.

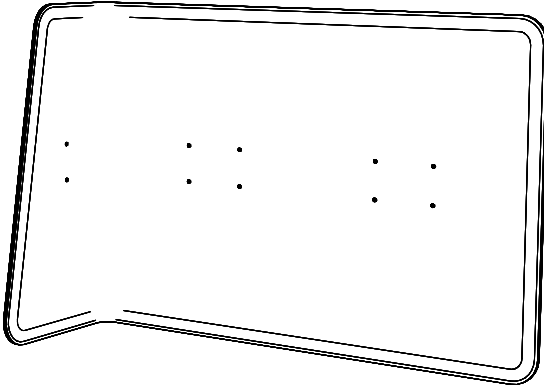


Incl.

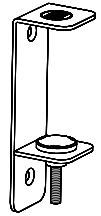
BuzziWrap FrontDesk Full



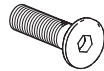
BuzziWrap FrontDesk Left



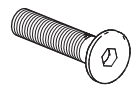
3x



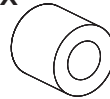
6x



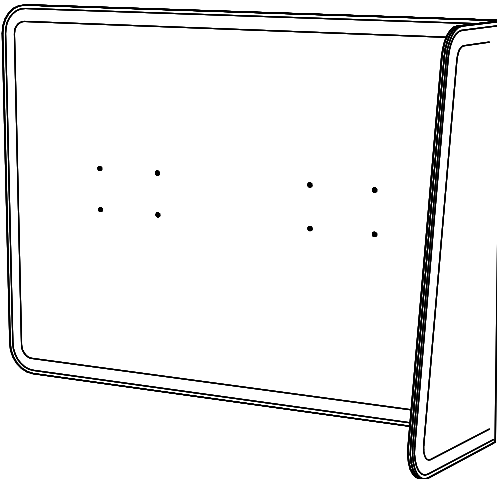
4x



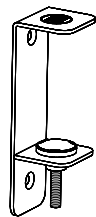
4x



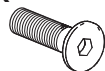
BuzziWrap FrontDesk Right



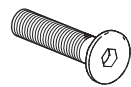
3x



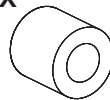
6x

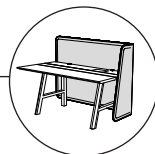


4x



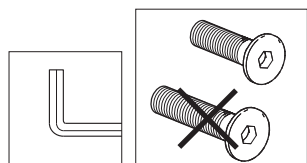
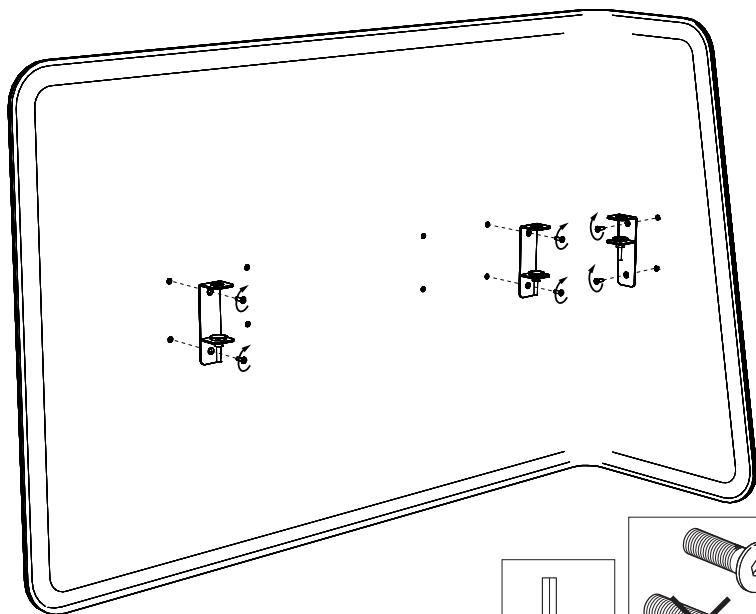
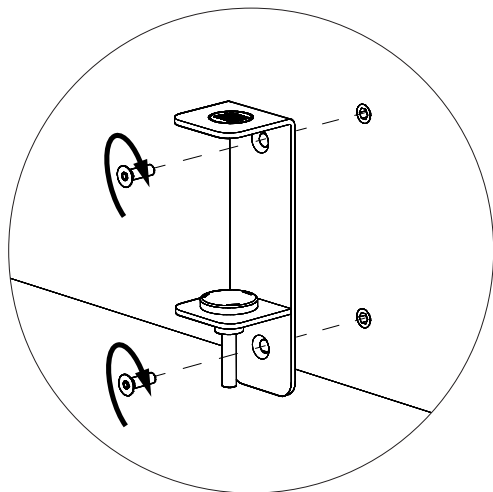
4x



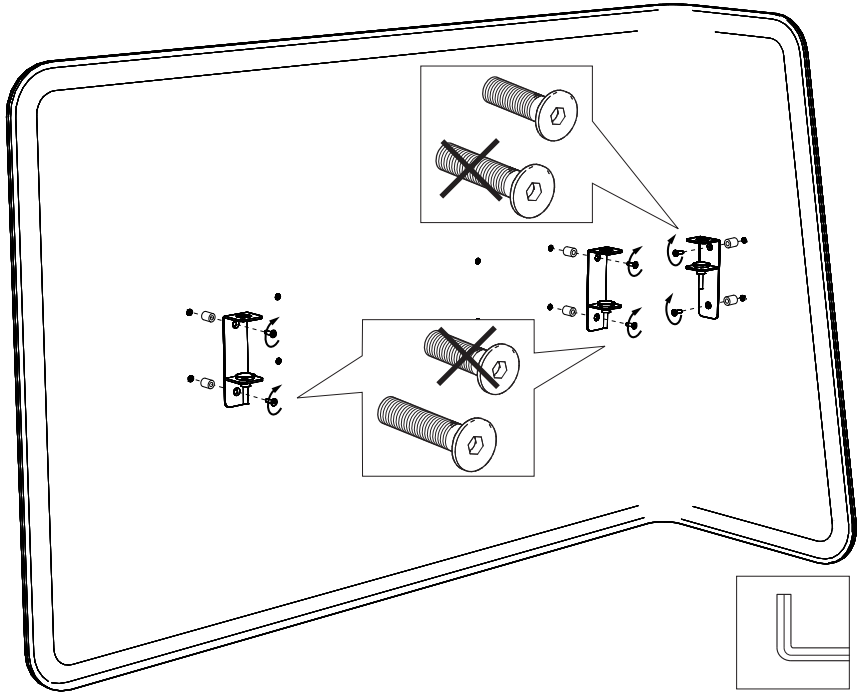
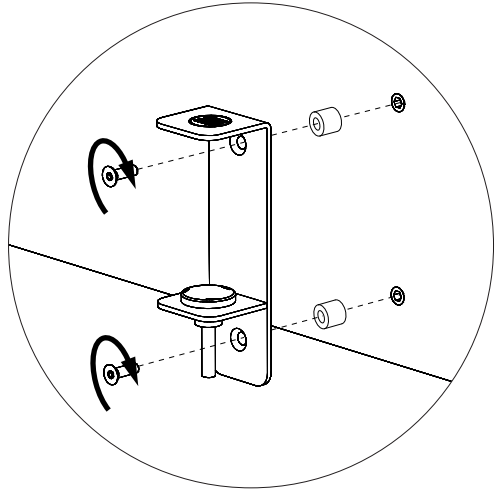


1 PERS.

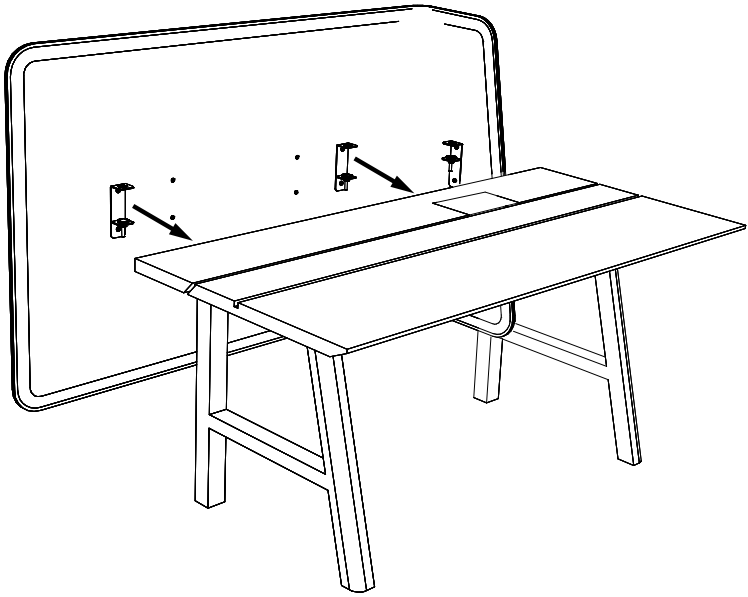
1A Please use the correct fix according your worktop thickness.



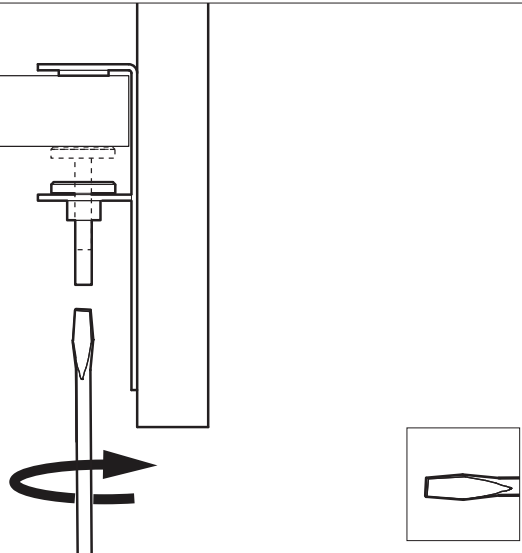
1B Please use the correct fix according your worktop thickness.
Additional distance holders can be mounted on front side to provide space for electrical cables etc.
(L 1,5 cm Ø 1,5 | L 0.59" Ø 0.59")



2



3



BuzziSpace Group NV
Italiëlei 8, 2000 Antwerp
Belgium

☎ +32 (0)3 846 10 00

✉ info@buzzi.space

🌐 www.buzzi.space



Doc nr.: A-0000003606/03

Last update: 30/11/2023